

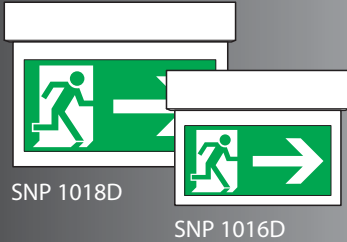
EXIT luminaries

Aluminium
Edge lights



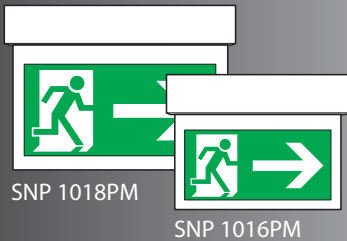
INOTEC
Sicherheitstechnik GmbH

A real highlight on interior design.
 Perfect safety and functionality in
 combination with a clear image and
 a straight design - a JUWEL on the
 emergency lighting market.



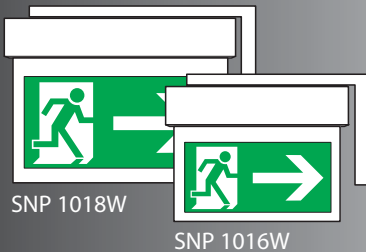
SNP 1018D

SNP 1016D



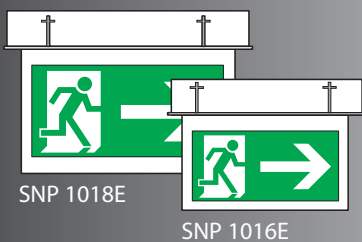
SNP 1018PM

SNP 1016PM



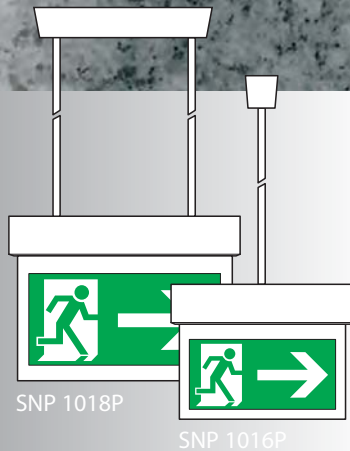
SNP 1018W

SNP 1016W



SNP 1018E

SNP 1016E



SNP 1018P

SNP 1016P

Technical data

Exit lights to DIN VDE 0108 / EN 50172, DIN EN 1838 and IEC 60598-2-22
 For systems to VDE 0108 and EN 50171
 EMC protection to EN 55015
 Housing material: aluminium natural finish
 Pictograph panels: acrylic glass
 Lamp replacement without tools
 Terminals: 3 x 2,5 mm² for through-wiring
 Protection category: IP 40

EVG J/SV

Incl. constant current power supply with INOTEC single luminaire monitoring (J/SV), easy accessible address-switch and JOKER function
 For the connection to central- or low power supply battery systems.
 230V±10% AC / 220V±20%DC
 Protection class: I
 Permissible temperature: -15°C ... +40°C

LED J/SV 230V

Incl. constant current supply easily addressable for INOTEC individual luminaire monitoring (J/SV)
 Incl. LED illuminant
 5 Years guarantee on LEDs
 For the connection to central- or low power supply battery systems.
 230V±10% AC / 220V±20%DC
 Protection class: I
 Permissible temperature: -15°C ... +40°C

LED 24V

Incl. constant current supply unit for 24V
 INOTEC single luminaire monitoring without address switch
 Incl. LED illuminant
 5 Years guarantee on LEDs
 For connection to CLS 24 or CPUSB 220/64/24V
 24V±20% DC
 Protection class: III
 Permissible temperature: -15°C ... +40°C

© Copyright: INOTEC Sicherheitstechnik GmbH, Ense.
 Publications and copies, even partial, only with
 manufacturers permission.

Subject to technical changes.
 Due to component tolerances measured values may vary!

Aluminium Edge lights

The reliable edge light range with 6 Watt, 8 Watt tube or LED

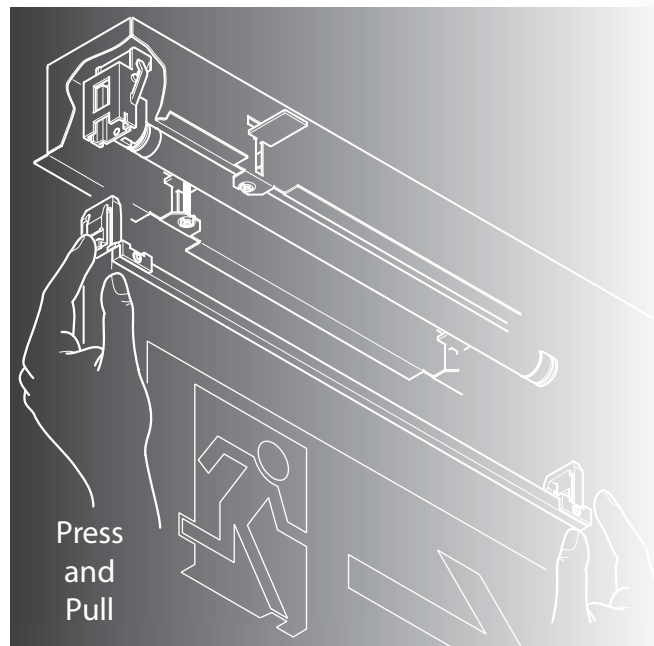
With mounting and installation features for housing and panel to allow easy, simple handling

Aluminium profile housing in modern INOTEC design

The panel fastening system

of the Juwel luminaire range allows a time and cost cutting installation and lamp replacement.

A simple snap-on fixing facility without screws allows fast and easy access to install the panel or replace the lamp.



Special pictographs for applications not covered by EN- or regional standards

Single- or double-sided acrylic glass panel to EN-standard

Edge lights can be used as general information displays. Any pictograph-colour or -design can be delivered



Special pictographs

Possible pictograph panels:

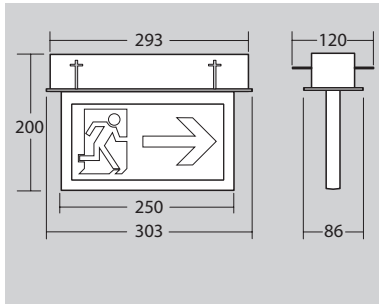
- single sided acrylic glass
- double sided acrylic glass
- engraved pictogram, silk-screened, internal or external pictograph (not to EN 1838)

EXIT luminaries

to EN 60598-2-22 and EN 1838
Suitable for connection to low- and central power supply battery systems

Only 60 mm depth is required
Small, powder coated snap-on cover

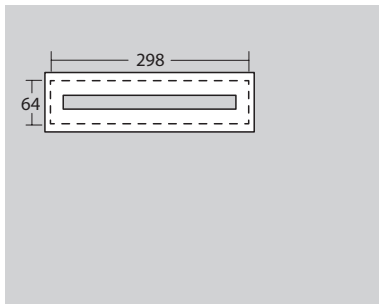
SNP 1016 E



Recessed ceiling mounting

Viewing distance: **22m**
Dimensions (mm): L=303, H=200, W=86

	EVG J/SV with 6W LLP	LED J/SV 230V with 3 LEDs	LED 24V with 3 LEDs
I Bat Em:	25mA	25mA	150mA
S Mains:	6,3VA	8,1VA	



Ceiling cut-out:

Dimensions (mm): L=298, W=64

Panel options

Every edge light can be supplied with single- or double-sided acrylic glass panel and pre-fitted pictogram. The legend ratio (2:1), uniformity and all other features conform to the relevant EN standards.

For architectural reasons and where standards allow the use, we offer panels with engraved legends, optiwhite internal laserengraving or other custom built solutions. Pictographs and legend colours not conforming to the standards can be manufactured on request.



Pictograph



Special pictograph samples

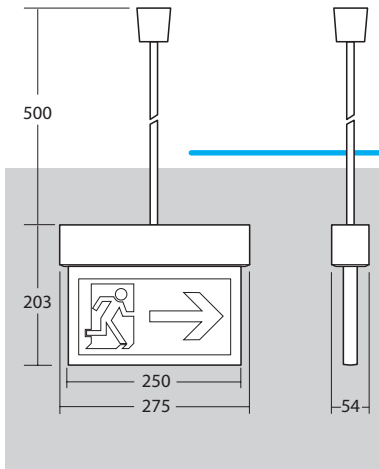


EXIT luminaries

to EN 60598-2-22 and EN 1838
Suitable for connection to low- and central power supply battery systems

Aluminium Edge lights

SNP 1016 P



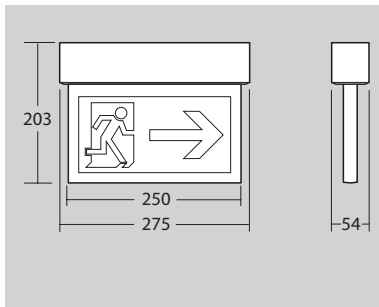
Pendulum mounting

Viewing distance: **22m**
Dimensions (mm): L=275, H=203, W=54

IBat Em:
SMains:

EVG J/SV with 6W LLP	LED J/SV 230V with 3 LEDs	LED 24V with 3 LEDs
25mA	25mA	150mA
6,3VA	8,1VA	

SNP 1016 D



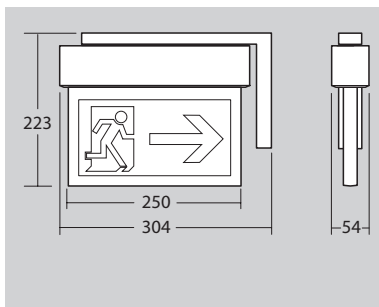
Ceiling mounting

Viewing distance: **22m**
Dimensions (mm): L=275, H=203, W=54

IBat Em:
SMains:

EVG J/SV with 6W LLP	LED J/SV 230V with 3 LEDs	LED 24V with 3 LEDs
25mA	25mA	150mA
6,3VA	8,1VA	

SNP 1016 WA



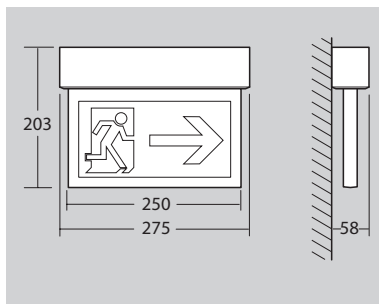
Wall bracket mounting

Viewing distance: **22m**
Dimensions (mm): L=304, H=223, W=54

IBat Em:
SMains:

EVG J/SV with 6W LLP	LED J/SV 230V with 3 LEDs	LED 24V with 3 LEDs
25mA	25mA	150mA
6,3VA	8,1VA	

SNP 1016 PM



Parallel to wall mounting

Viewing distance: **22m**
Dimensions (mm): L=275, H=203, W=58

IBat Em:
SMains:

EVG J/SV with 6W LLP	LED J/SV 230V with 3 LEDs	LED 24V with 3 LEDs
25mA	25mA	150mA
6,3VA	8,1VA	

Pictograph



Special pictograph samples



Restaurant



Elevator



in national language

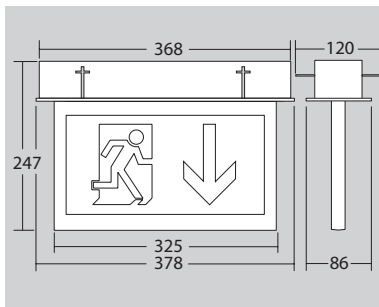
EXIT luminaries

to EN 60598-2-22 and EN 1838

Suitable for connection to low- and central power supply battery systems

Only 60 mm depth is required
Small, powder coated snap-on cover

SNP 1018 E



Recessed ceiling mounting

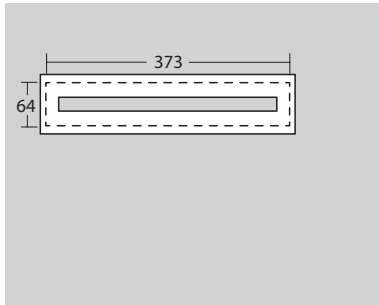
Viewing distance: **30m**

Dimensions (mm): L=378, H=247, W=86

	EVG J/SV with 8W LLP	LED J/SV 230V with 4 LEDs	LED 24V with 4 LEDs
I Bat Em:	33mA	32mA	200mA
S Mains:	8,4VA	9,5VA	

Ceiling cut-out

Dimensions (mm): L=373, W=64



INOTEC Safety- and Exit luminaires, pictured is a non-standard JUWEL Exit-luminaire, offer individual solutions to blend into every interior environment. Design, functionality, illumination and reliability create an ideal product.



Pictograph



Special pictograph samples

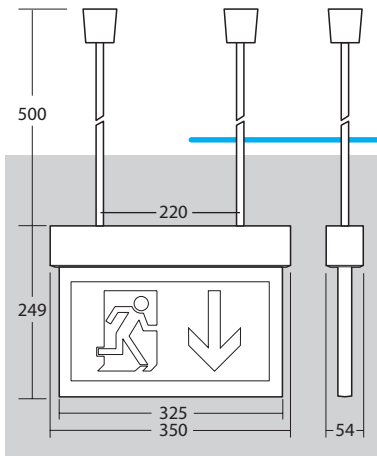


EXIT luminaries

to EN 60598-2-22 and EN 1838
Suitable for connection to low- and central power supply battery systems

Aluminium Edge lights

SNP 1018 P



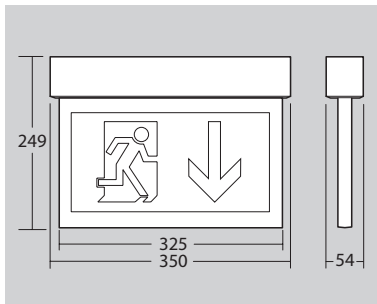
Pendulum mounting

Viewing distance: **30m**
Dimensions (mm): L=350, H=249, W=54

IBat Em:
SMains:

EVG J/SV with 8W LLP	LED J/SV 230V with 4 LEDs	LED 24V with 4 LEDs
33mA	32mA	200mA
8,4VA	9,5VA	

SNP 1018 D



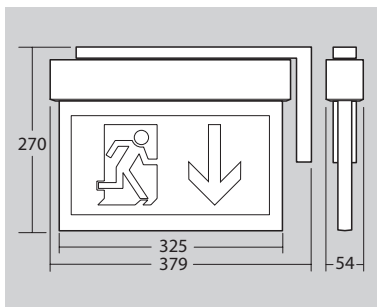
Ceiling mounting

Viewing distance: **30m**
Dimensions (mm): L=350, H=249, W=54

IBat Em:
SMains:

EVG J/SV with 8W LLP	LED J/SV 230V with 4 LEDs	LED 24V with 4 LEDs
33mA	32mA	200mA
8,4VA	9,5VA	

SNP 1018 WA



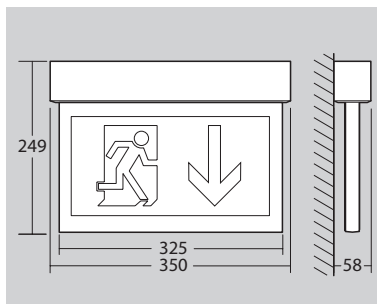
Wall bracket mounting

Viewing distance: **30m**
Dimensions (mm): L=379, H=270, W=54

IBat Em:
SMains:

EVG J/SV with 8W LLP	LED J/SV 230V with 4 LEDs	LED 24V with 4 LEDs
33mA	32mA	200mA
8,4VA	9,5VA	

SNP 1018 PM



Parallel to wall mounting

Viewing distance: **30m**
Dimensions (mm): L=350, H=249, W=58

IBat Em:
SMains:

EVG J/SV with 8W LLP	LED J/SV 230V with 4 LEDs	LED 24V with 4 LEDs
33mA	32mA	200mA
8,4VA	9,5VA	

Pictograph



Special pictograph samples





INOTEC Sicherheitstechnik GmbH
Am Buschgarten 17
D - 59 469 Ense

Tel +49 29 38/97 30-0

Fax +49 29 38/97 30-29

info@inotec-licht.de

www.inotec-licht.de



INOTEC