

Exit- and Safety Luminaires



Catalogue
Aluminium-
Profile
luminaires

INOTEC
Sicherheitstechnik GmbH

Aluminium-Profile luminaires

Different sizes of housings with variable highly distinguished surfaces and colours allow it to include the luminaire into virtually all interior designs

Modern INOTEC-design,
Aluminium profile in
extremely flat design

Viewing distance: **12m**

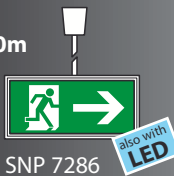


SNP 7184
SNP 7284

Viewing distance: **20m**



SNP 7166
SNP 7186



SNP 7286



SNP 7166 UP

Safety luminaire:



SN 7168
SN 7181 T

Viewing distance: **35m**

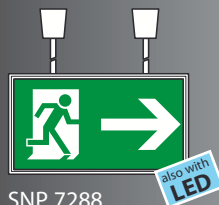


SNP 7168

Viewing distance: **35m**



SNP 7188



SNP 7288

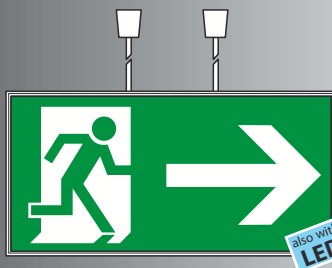


SNP 7460

Viewing distance: **60m**



SNP 7183



SNP 7283



SNP 7463

Technical data

EXIT and safety lights to DIN 4844 BGV A8,
DIN VDE 0108 / EN 50172, EN 1838 and IEC
60598-2-22

For systems to DIN VDE 0108
and EN 50171

EMC protection to. DIN EN 55015

Housing material: Aluminium

Pictograph panels: PMMA, PVC-free

Lamp replacement without tools!

Terminals: 2,5 mm² for through-wiring

Protection category: IP 40

EVG J/SV

With electronic ballast for LLP

INOTEC individual lamp monitoring (J/SV)

Optional without lamp monitoring and Joker-
switching

For connection to central- or low power sup-
ply battery systems

230V±10% AC / 220V±20%DC

Protection class: I

Permissible temperature: -15°C ... +40°C

LED J/SV 230V

With constant current supply

Easily addressable for INOTEC individual
lamp monitoring (J/SV)

Dimmable in mains operation

For connection to central- or low
power supply battery systems.

230V±10% AC / 220V±20%DC

Protection class: I

Permissible temperature: -15°C ... +40°C

LED 24V

With 24V constant current supply unit

incl. INOTEC single luminaire monitoring (SV)
without address switch

For connection to CLS 24 or

CPUSB 220/64/24V

24V±20% DC

Protection class: III (SELV)

Permissible temperature: -15°C ... +40°C

© Copyright: INOTEC Sicherheitstechnik GmbH, Ense Publi-
cations and copies, even partial, only with manufacturers
permission.

Subject to technical changes.

Due to component tolerances measured values may vary!

Exit luminaire with single sided light output

EXIT luminaires
to EN 1838 and DIN 4844

INOTEC design aluminium profile housing

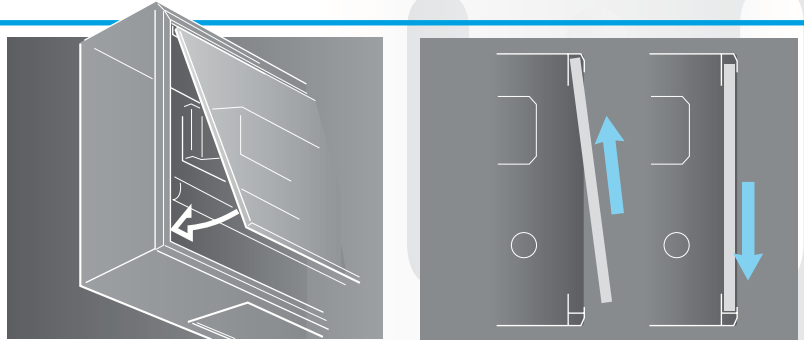
Aluminium-Profile luminaires



This symbol marks luminaires with click mounting

Advantages:

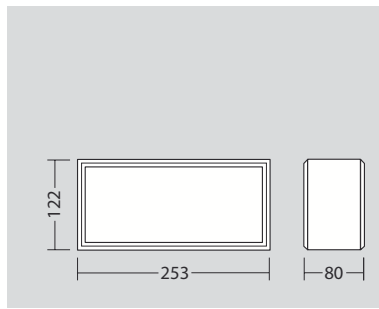
- easy to change pictogram
- open/close without tools
- simple lamp replacement



Recessed installation!

Install the luminaire inside the wall – just remove the pictogram for service

SNP 7186

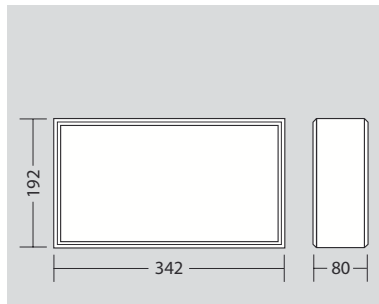


Viewing distance: **20m**
Dimensions (mm): W=253, H=122, D=80
Wall mounting

Accessories: Ceiling installation bracket, RAL-colours

	EVG J/SV 230V with 6W LLP	LED J/SV 230V with 1 LEDs	LED 24V with 1 LEDs
I Bat Em:	25mA	12mA	80mA
S Mains:	6,3VA	5,1VA	

SNP 7188



Viewing distance: **35m**
Dimensions (mm): W=342, H=192, D=80
Wall mounting

Accessories: Protection grid, Ceiling installation bracket

	EVG J/SV 230V with 8W LLP	LED J/SV 230V with 2 LEDs	LED 24V with 2 LEDs
I Bat Em:	33mA	18mA	115mA
S Mains:	8,4VA	6,3VA	

Pictogram

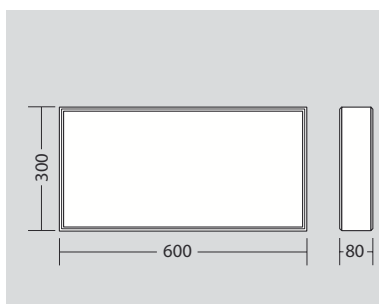


Exit luminaire with single sided light output

EXIT luminaires
to EN 1838 and DIN 4844

INOTEC design aluminium profile
housing

SNP 7183



Viewing distance: **60m**
Dimensions (mm): W=600, H=300, D=80
Wall mounting

	EVG J/SV 230V with 13W LLP	LED J/SV 230V with 4 LEDs	LED 24V with 4 LEDs
I _{Bat} Em:	44mA	32mA	200mA
S _{Mains} :	14,0VA	9,5VA	



Car park with SNP 7283
pendulum mounting

Pictogram



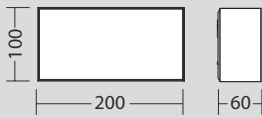
Exit luminaire with single sided light output

EXIT luminaires
to EN 1838 and DIN 4844

INOTEC design aluminium profile
housing, just 60mm depth

Aluminium-Profile luminaires

SNP 7166 UP

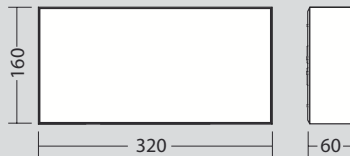


Viewing distance: **20m**
Dimensions (mm): W= 200, H=100, D=60
Recessed wall mounting

	LED J/SV 230V with 2 LEDs	LED 24V with 2 LEDs
I_{Bat} Em:	18mA	115mA
S_{Mains}:	6,3VA	



SNP 7168 UP



Viewing distance: **32m**
Dimensions (mm): W=320, H=160, D=60
Recessed wall mounting

	LED J/SV 230V with 2 LEDs	LED 24V with 4 LEDs
I_{Bat} Em:	32mA	200mA
S_{Mains}:	9,5VA	

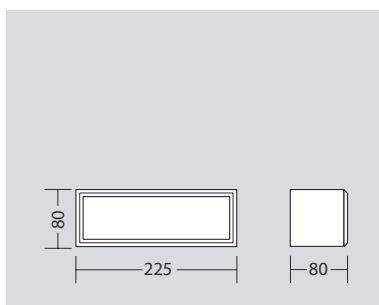


Exit luminaire with single or double sided light output

EXIT luminaires
to EN 1838 and DIN 4844

INOTEC design aluminium profile
housing

SNP 7184



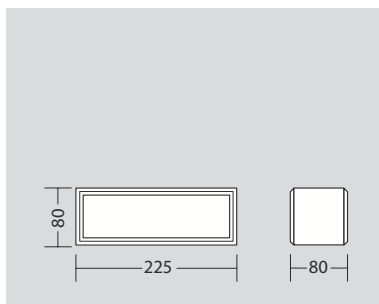
Viewing distance: **12m**
Dimensions (mm): W=225, H=80, D=80
Wall mounting
Accessories: RAL-colours

	EVG J/SV 230V with 4W LLP	LED J/SV 230V with 1 LEDs	LED 24V with 1 LEDs
I _{Bat} Em:	20mA	12mA	90mA
S _{Mains} :	4,2VA	5,1VA	



The light output bottomside illuminates
the escape route / exit door

SNP 7284



Viewing distance: **12m**
Dimensions (mm): W=225, H=80, D=80
Ceiling mounting
Accessories: RAL-colours

	EVG J/SV 230V with 4W LLP	LED J/SV 230V with 2 LEDs	LED 24V with 2 LEDs
I _{Bat} Em:	20mA	18mA	115mA
S _{Mains} :	4,2VA	6,3VA	



This small version is ideal for buildings
with low ceilings or little room above
the doors to mark the escape route

Pictogram



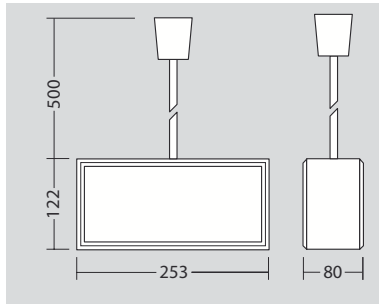
Exit luminaire with double sided light output

EXIT luminaires
to EN 1838 and DIN 4844

INOTEC design aluminium profile
housing

Aluminium-Profile luminaires

SNP 7286



Viewing distance: **20m**
Dimensions (mm): W= 253, H=122, D=80

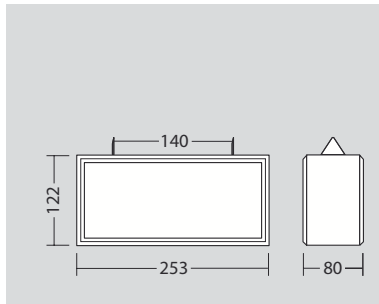
Accessories: Blind cover, RAL-colours



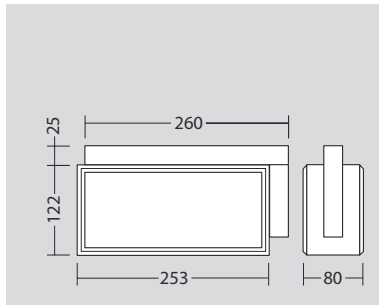
Pendulum mounting

	EVG J/SV 230V with 6W LLP	LED J/SV 230V with 2 LEDs	LED 24V with 2 LEDs
I_{Bat} Em:	25mA	18mA	115mA
S_{Mains}:	6,3VA	6,3VA	

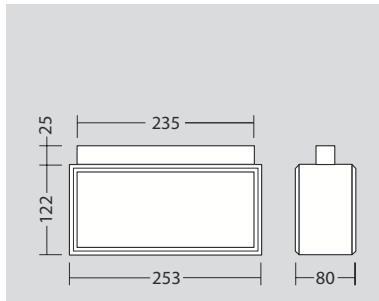
I_{Bat} Em:
S_{Mains}:



Chain mounting



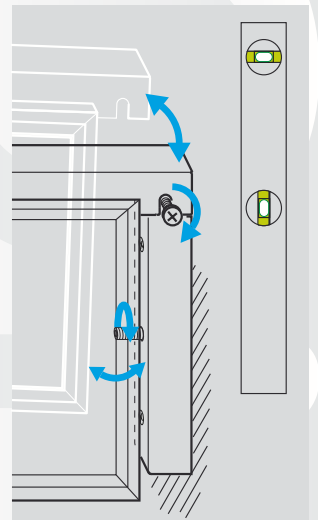
Wall bracket



Ceiling mounting

Wall bracket mounting SNP 7286 / SNP 7288 / SNP 7285 / SNP 7283

Quick mounting bracket for
simple and fast installation
Adjustment possibility for
uneven wall-structure
Prewired, twin-terminals
and spacious connection/
termination compartment



Pictogram



Exit luminaire with double sided light output

EXIT luminaires
to EN 1838 and DIN 4844

INOTEC design aluminium profile
housing

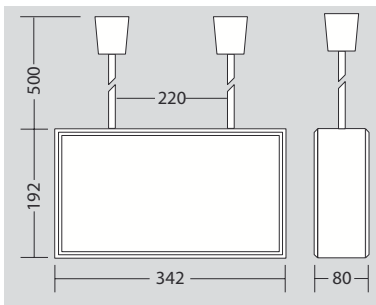
This range offers an elegant
aluminium profile housing with clear
structures in various sizes and
mounting possibilities

A standard light output bottomside
for all double sided types further
illuminates the escape route/exit door

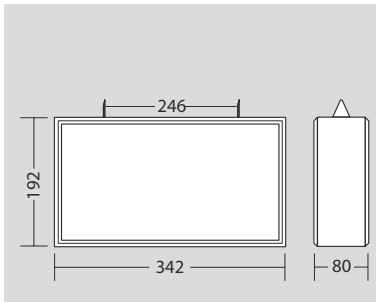
SNP 7288



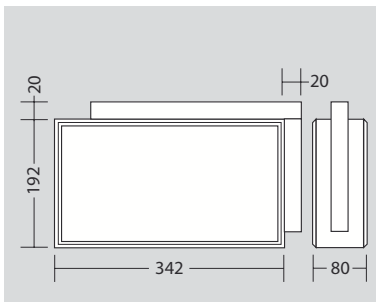
Pendulum mounting



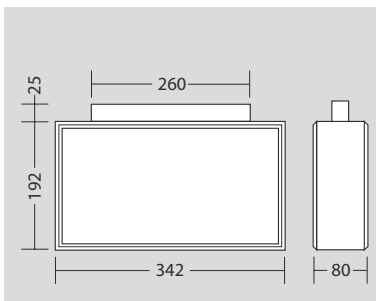
Chain mounting



Wall bracket



Ceiling mounting



Viewing distance: **35m**
Dimensions (mm): W=342, H=192, D=80
Accessories: Blind cover, RAL-colours

Pictogram



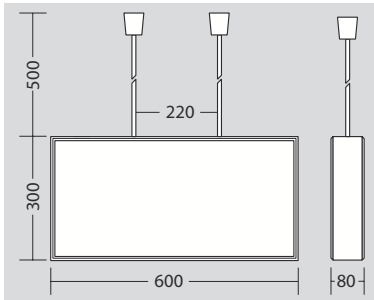
Exit luminaire with double sided light output

EXIT luminaires
to EN 1838 and DIN 4844

INOTEC design aluminium profile
housing

Aluminium-Profile luminaires

SNP 7283



Viewing distance: **60m**
Dimensions (mm): W= 600, H=300, D=80

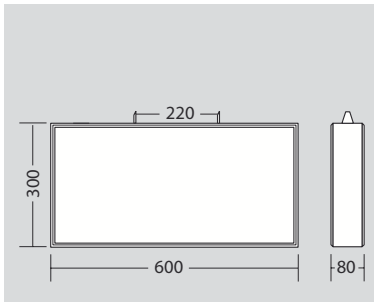
Accessories: Blind cover, RAL-colours



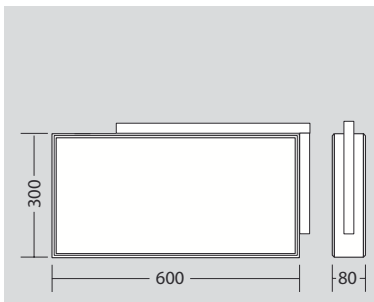
Pendulum mounting

	EVG J/SV 230V with 13W LLP	LED J/SV 230V with 8 LEDs	LED 24V with 8 LEDs
I_{Bat} Em:	44mA	41mA	400mA
S_{Mains}:	18,7VA	18,7VA	

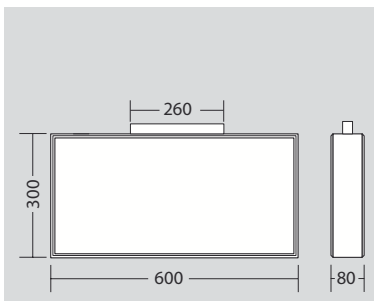
I_{Bat} Em:
S_{Mains}:



Chain mounting



Wall bracket



Ceiling mounting

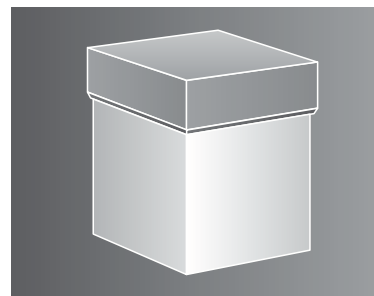
Pictogram



Exit luminaire with four sided light output

EXIT luminaires
to EN 1838 and DIN 4844

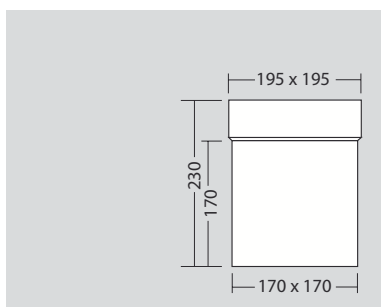
INOTEC design aluminium profile
housing



SNP 7460



Ceiling mounting



Viewing distance: **35m**

Dimensions (mm): W=230, H=195, D=195

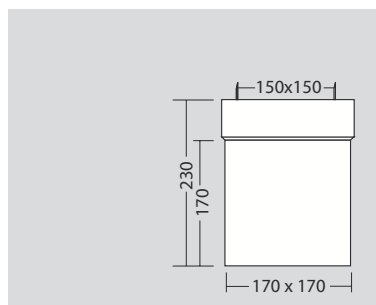
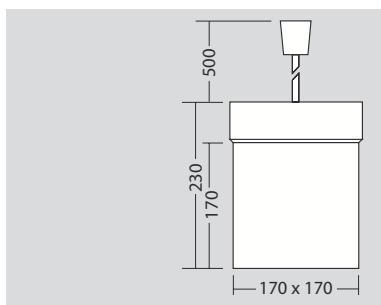
Accessories: RAL-colours

Suitable for TC-DE G24q-1, 4-pin compact fl-lamp

	EVG J/SV 230V for 10W LLP	LED J/SV 230V with 4 LEDs	LED 24V with 4 LEDs
I Bat Em:	35mA	32mA	200mA
S Mains:	11VA	9,5A	



Pendulum mounting

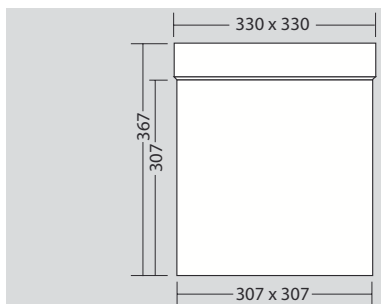


Chain mounting
2 fixing points
Chain is not included!

SNP 7463



Ceiling mounting



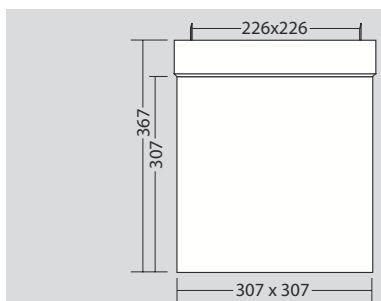
Viewing distance: **60m**

Dimensions (mm): W=367, H=330, D=330

Accessories: RAL-colours

Suitable for TC-DE G24q-1, 4-pin compact fl-lamp

	EVG J/SV 230V for 13W LLP	LED J/SV 230V with 5 LEDs	LED 24V with 4 LEDs
I Bat Em:	44mA	40mA	200mA
S Mains:	14VA	10,9VA	



Chain mounting
4 fixing points
Chain is not included!

Pictogram

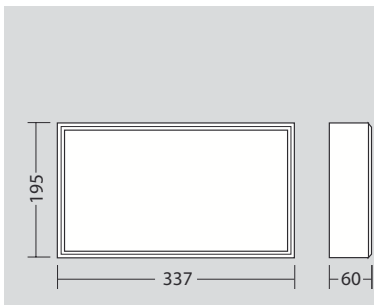


Safety luminaire with single sided light output

Safety luminaire
to EN 1838 and DIN 4844



SN 7168



Dimensions (mm): W=337, H=195, D=60

Wall- or Ceiling mounting

With polycarbonate insert for better light direction

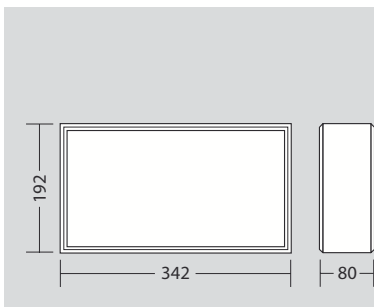
Accessories: Protection grid, RAL-colours

	EVG J/SV 230V with 8W LLP	LED J/SV 230V with 4 LEDs	LED 24V with 4 LEDs
I_{Bat Em}:	33mA	32mA	200mA
S_{Mains}:	8,4VA	9,5A	

Luminaire distance
for 1,25 Lux
Measurement plane 2cm
above floor level

Mounting hight	LLP	LED							
	⊞ ⊞ ⊞	⊞ ⊞	⊞ ⊞	⊞ ⊞	⊞ ⊞	⊞ ⊞	⊞ ⊞	⊞ ⊞	⊞ ⊞
Ceiling, middle of escape route	3,0	3,5	6,5	11,5	4,0	3,4	8,6	10,0	4,3
	4,0	3,8	7,5	12,5	4,4	3,8	9,6	12,0	4,6
	5,0	4,0	8,0	13,5	5,2	4,1	10,6	12,8	4,8
	6,0	3,7	8,5	14,0	4,9	4,0	11,3	13,3	4,7
	7,0	3,3	9,0	14,0	4,3	3,7	11,6	13,6	4,4
	8,0	3,0	9,0	13,0	4,0	3,1	11,5	13,5	3,9
	9,0	-	-	-	-	2,1	11,2	12,7	3,1
	10,0	-	-	-	-	-	10,3	12,3	-

SNP 7118 T



Dimensions (mm): W=342, H=192, D=80

Ceiling mounting

Accessories: Protection grid, RAL-colours

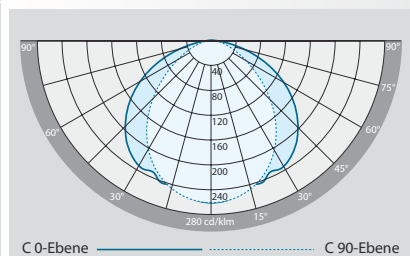
Suitable for TCE GX24q-4, 4-pin compact fl-lamp,

	EVG J/SV 230V for 18W LLP
I_{Bat Em}:	100mA
S_{Mains}:	20VA

Luminaire distance
for 1,25 Lux
Measurement plane 2cm
above floor level

Mounting hight	⊞ ⊞ ⊞	⊞ ⊞	⊞ ⊞	⊞ ⊞	
Ceiling, middle of escape route	9,0	6,4	18	15	5,5
	10,0	6,2	18,3	15,6	5,3
	11,0	5,8	18,5	15,8	4,9
	12,0	5,1	18,4	15,8	4,3
	13,0	4,1	18,1	15,7	3,3
	14,0	2,1	17,6	15,2	1,4
	15,0		16,7	14,4	
	16,0		14,0	11,8	

LVK-polar





INOTEC Sicherheitstechnik GmbH
Am Buschgarten 17
D - 59 469 Ense

Tel +49 29 38/97 30-0

Fax +49 29 38/97 30-29

info@INOTEC-licht.de

www.INOTEC-licht.de



INOTEC