



**HYGIENE
GUARANTEED**



APH / ADH
terminal and push button boxes

Stainless steel terminal and push button boxes.

Ideal for the food & beverage, pharmaceutical and petrochemical industries.



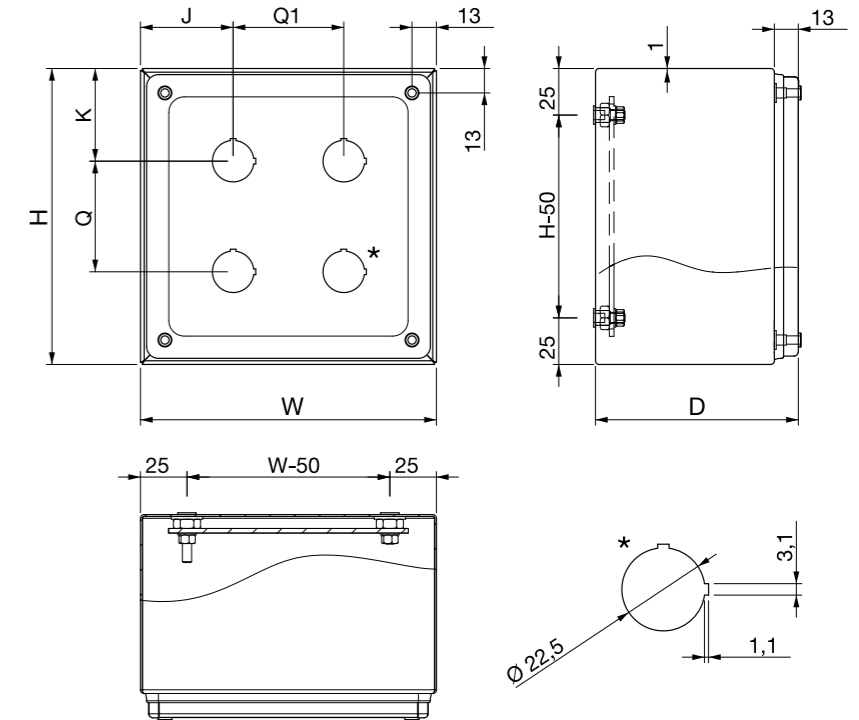
IRINOX

Stainless steel boxes compliant with the most stringent hygienic standards. The special design of the door and frame profiles makes cleaning easier and safer. Silicon gasket compliant with FDA guideline. Ideal for the food and beverage industries.

Technical specifications:

- Easy cleaning and hygiene guaranteed thanks to the specially designed door and frame profiles. Ideal for the food & beverage industries;
- Versions W=90 mm and W=100 mm: 2 fixing points;
- Versions: 30 30 thickness 12/10;
- With mounting plates in FeZn 25/10 starting from Model 1016;
- Threaded nuts M5;
- Standard FDA-certified silicon gasket (UL certified on request);
- Temperature range -60°C +200°C.

NEW!



Standard executions

Protection rating and certification	IP66 IK10	EN 60 529:1997-06	EN 50 102:1996-05
		EN 60 529/A1:2000-06	EN 50 102/A1:1999-07
	CE	EN 62208: 2012-02	
Material	AISI 304 Wnr 1.4031 medium fine brushed Scotch brite		
On request	Also available in AISI 316L Wnr. 1.4004 UL classified UL		

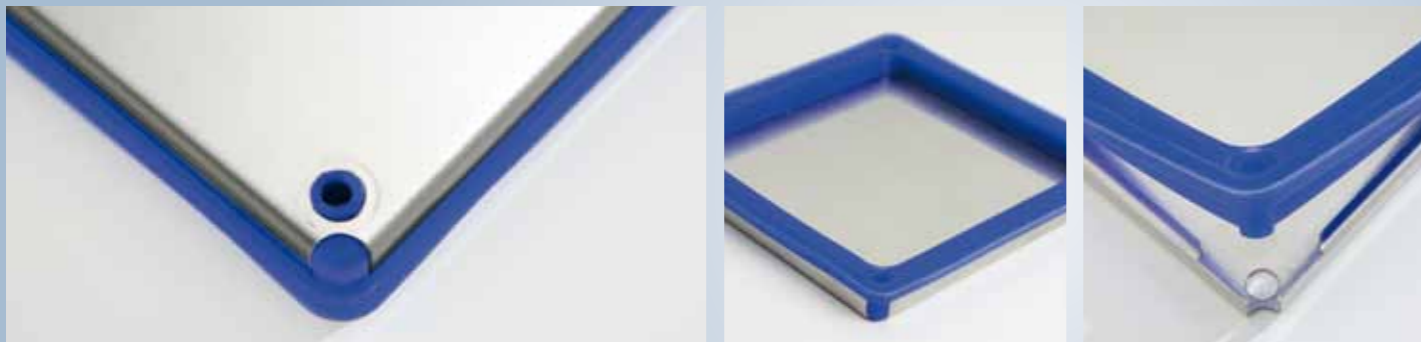
ADH

Order Code	Model	Dimension in mm		
		W	H	D
013025010	ADH 10 10	100	100	100
013025020	ADH 10 16	100	160	100
013025030	ADH 10 20	100	200	100
013025040	ADH 16 16	160	160	100
013025050	ADH 16 25	160	250	100
013025060	ADH 20 20	200	200	100
013025070	ADH 20 25	200	250	120
013025080	ADH 20 30	200	300	120
013025100	ADH 30 30	300	300	120

APH

Order Code	Model	Dimension in mm			J	Q/Q1	K
		W	H	D			
013015010	APH 9 9	90	90	90	45	X	45
013015020	APH 9 14	90	140	90	45	55	42,5
013015030	APH 9 20	90	200	90	45	55	42,5
013015040	APH 9 28	90	280	90	45	60	50
013015050	APH 16 16	160	160	110	50	60	50
013015070	APH 16 25	160	250	110	50	60	35
013015080	APH 20 20	200	200	110	70	60	40

Plus



• Hygienic profile: the specially designed profile guarantees easy cleaning and high hygienic standards. Ideal for the food and beverage industries.

• Standard FDA-certified silicon gasket.



ON REQUEST

- Standard FDA-certified silicon gasket (UL certified on request) (1);
- Screws Poelier (2);
- Customized thickness available on request.

ACCESSORIES

- Irinox standard wall fixing brackets (3).



IRINOX

IRINOX S.p.A.

Administration office:
Via Madonna di Loreto 6/B
31020 Corbanese di Tarzo (TV) Italy

www.irinox.com

Production and marketing site:

Via Caduti nei Lager, 1
Z.I. Prealpi Trevigiane - loc. Scomigo
31015 Conegliano (TV) Italy
Tel. +39 0438 2020 - Fax +39 0438 2023
quadri@irinox.com

Marketing subsidiary in Milano:

P.zza della Pace, 6
20026 Novate Milanese (MI)

milano.quadri@irinox.com