

SINGLE OUTLET, ROUND

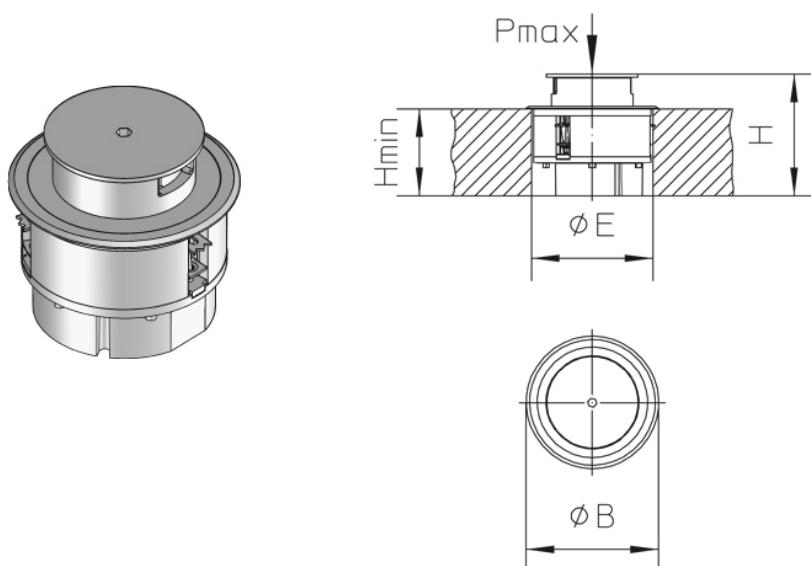
BODO N

Single-outlet with floor socket outlet, wet maintenance, round

Round single-outlet made of aluminium. With floor protection frame incl. swivelling tube as a cable outlet, lid, claw set and rubber seal. For installation in screed and openings in false floor or cavity floor. Suitable for rooms with dry and wet maintenance floors. Designed for high traffic loads

III On request deliverable anodized in gold, brass, copper, titanium and black.

III Please mind the technical information regarding protection class and floor care for installation units under: downloads/ underfloorsystems/ technical information.



wet maintenance

material: Tube, cover lid and tube insert: anodised aluminium, frame and device cup: plastic
 type of assembly: Fixing on floor box UBDHB / rough concrete floor and installation in screed or false floor
 application area: wet floor cleaning
 protection class: in use IP 22 / in use with rubber sleeve UGM1-3 IP 43 / not in use IP 66
 norm: acc. to DIN EN 50085
 permits: according to VDE/ TÜV
 loading: including inspection stamp Ø 130 mm: 15 kN

Product	height H [mm]	minimum installation height Hmin [mm]	width B [mm]	fitting dimension E [mm]	permissible load Pmax [kN]	quantity device mounting cup	quantity installation units/outlet socket	weight G [kg]
BODO N	122	87	133	122	15	single	1x 45x45 mm isolated ground receptacle, 1x 45x22.5 mm RJ 45 data box CAT6	0.74
BODO N3	122	87	133	122	15	single	1x45x45 mm isolated ground protectacle, 1x data blind cover RJ45 Keystone data jack	0.74

AL



SINGLE OUTLET, ROUND

BODO N

Single-outlet with floor socket outlet, wet maintenance, round

AL Aluminium



SINGLE OUTLET, ROUND

BODO N

Single-outlet with floor socket outlet, wet maintenance, round

accessory

1x UET80-R-WD
1x UETD80-R-WD-MS
1x UETD80-R-WD-SW
1x UET80-R-WD-MS
1x UET80-R-WD-SW
1x UETD80-R-WD
1x UST45-W 1
1x UTG 75
1x UARM-3-1 118
1x UG-R
1x UWZ IS
2x UGM1-3
1x UDA22-KS 1

optional accessories

USK R122, UBDHB 122R

State of: 09-15-2013

Errors and technical modifications reserved.