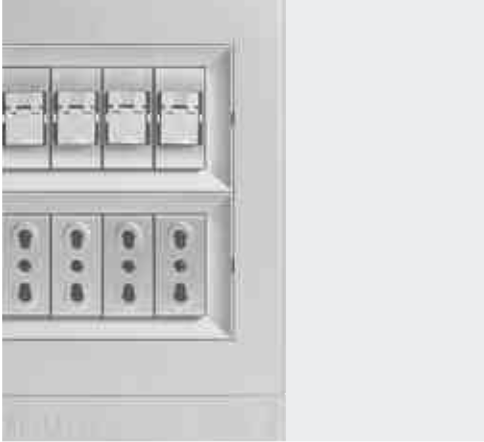


# INTERLINK OFFICE



## OFFICE DISTRIBUTION SYSTEMS



## Contents

	4-29	
General features	Complete distribution solutions	4
	NEW: slim column and pop-up boxes	8
	Desktop solution	12
	Floor solutions	20
	Ceiling-floor solutions	24
	Wall solutions	28
	30-57	
Catalogue		



### 1 GENERAL PROTECTION

#### MAS Distribution boards and cabinets

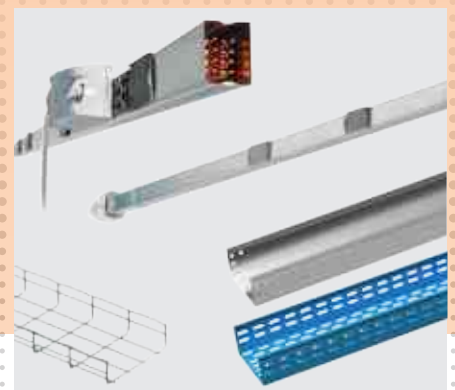
A range of cabinets and distribution boards for protection and energy distribution (up to 6.300 A) that brings together quality and sophisticated design, as well as easy and quick installation.



### 2 SERVICE CONTINUITY

#### UPS Static Uninterruptible Power Supply

UPS with powers of up to 120kVA, capable of always ensuring a safe and reliable power supply system.



### 3 ENERGY DISTRIBUTION

#### Metal trunking and BUSBAR

An extremely wide and complete offer of cable trays and busbars, in terms of sizes, accessories, and finishes, ideal for all types of applications.

# COMPLETE SOLUTIONS FOR FUNCTIONAL AND EFFICIENT WORKING ENVIRONMENTS

BTicino offers integrated system suitable for all types of residential, service and industrial structures. The company has a long lasting experience in the distribution and management of services in the work place, with flexible offers capable of providing functional and energy efficient infrastructures.



#### 4 WIRED / WI-FI DATA DISTRIBUTION

##### **BTNET and fibre optic distribution**

Complete structured cabling system that includes solutions with copper (Cat. 6A, Cat. 6 and Cat. 5e) and fibre optic connectors, and Wi-Fi.



#### 5 LIGHTING MANAGEMENT

##### **LIGHTING MANAGEMENT**

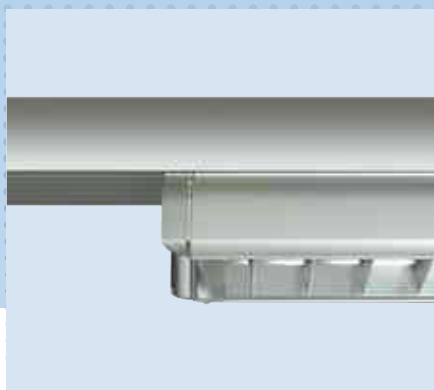
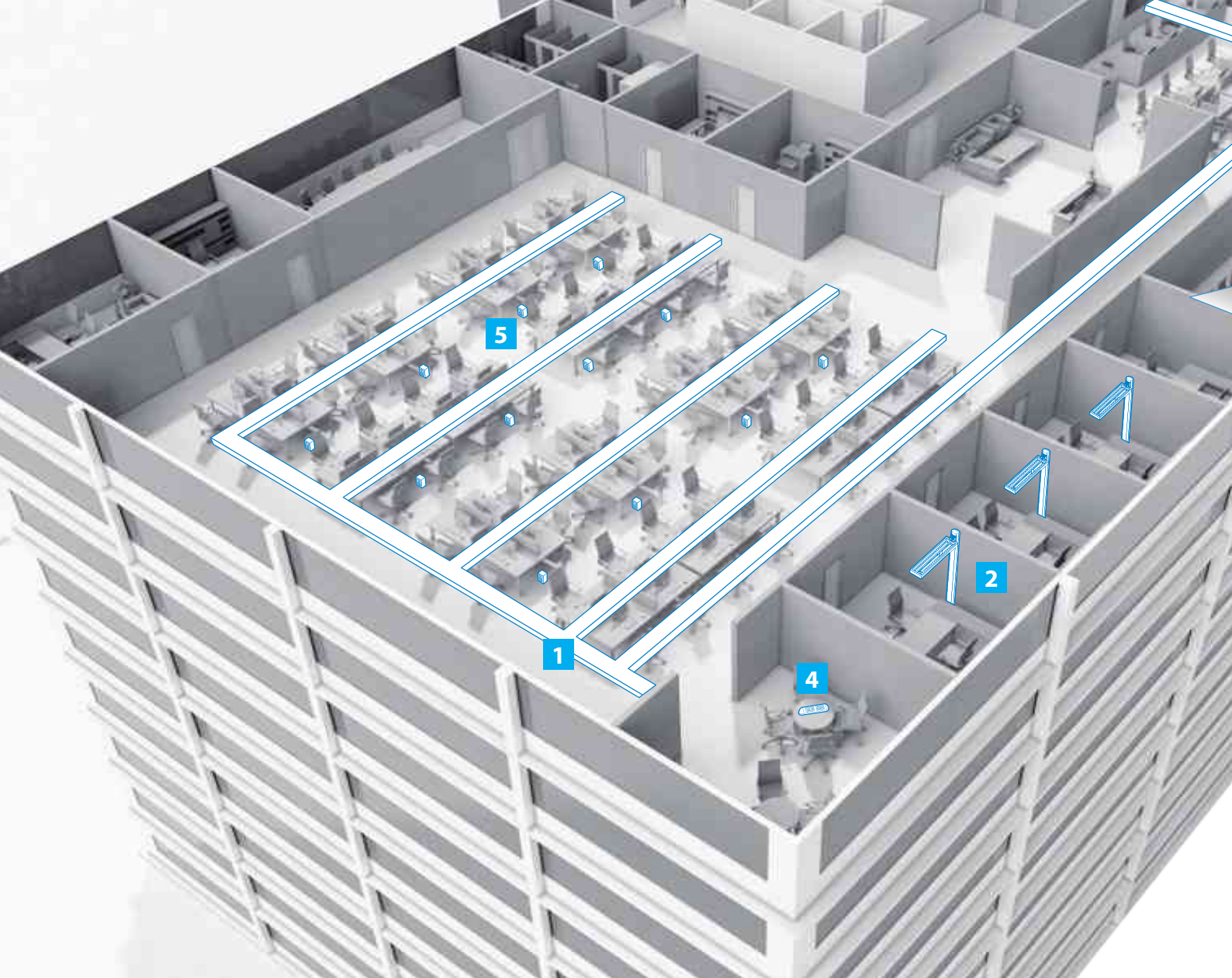
Intelligent lighting control system capable of reducing consumption and management costs, by switching on the lights where and when required.



#### 6 SAFETY

##### **Access control and CCTV**

Central and STAND-ALONE solutions for monitoring the flow of people, for access control and management.



## 1 PRE-WIRED SYSTEM

### EASYWAY

Thanks to the BTicino lighting technology system, it is possible to channel 3 different functions through one single system: distribution, management, and lighting.



## 2 APPROPRIATE LIGHTING

### Lamp for columns

The new column lamp provides timely lighting management on one single workstation, making energy saving easier.

# OFFICES AND MEETING ROOMS

A range of state of the art products capable of offering a complete distribution and management system for all the activities. System solutions perfectly coordinated with the BTicino civil series that offer complete look and functionality integration.



### 3 MEETING ROOM MANAGEMENT

#### Audio/video kit

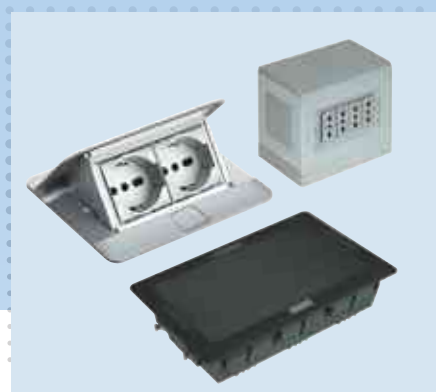
Innovative system designed for projection in meeting rooms, thanks to which it is possible to manage switching among projection workstations.



### 4 DESKTOP DISTRIBUTION

#### Table-top workstation and multisockets

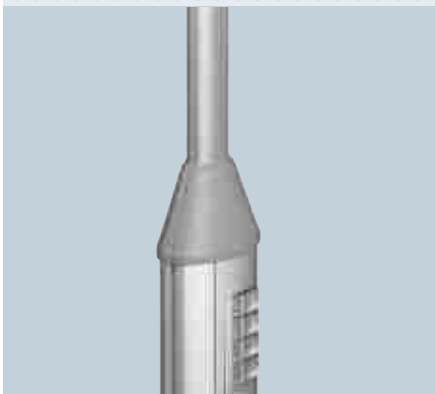
Modular pre-configured solutions capable of distributing all the services required for workstations: energy, data, and telephone systems.



### 5 FLOOR DISTRIBUTION

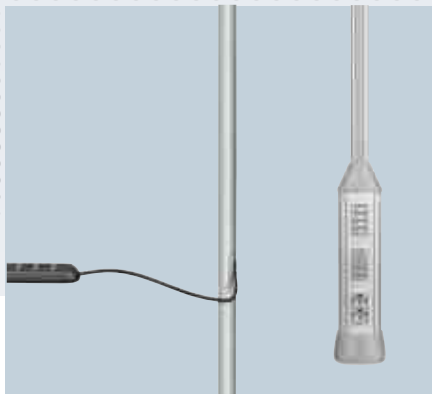
#### Underfloor and protruding boxes

Underfloor boxes with 8 to 30 module capacity, for installation in both floating and concrete floors.



#### NON-INVASIVE SOLUTION

The slim column is the simple, light, and discrete solution, ideal for stand-alone installations; it can be cut or extended for up to 6 metres, for better adaptation in all rooms.



#### CAN BE CONFIGURED TO MEET ALL NEEDS

The slim column is available in various types, to better meet all installation requirements: from the simpler and lighter solution with cable output, to the one with accessories for the powering of 2 workstations.



#### MODULAR AND WITH ACCESSORIES

Dedicated accessories enable to fit the column on the wall or ceiling, and the descent of cables from the distribution system.



# SLIM COLUMN

**NEW**

The new vertical distribution system non invasive and elegant. A discrete and light solution, also ideal for simple and timely distributions.



SLIM  
COLUMN

SLIM COLUMN  
12 MODULES

SLIM COLUMN  
24 MODULES

NEW

# POP-UP BOXES

The most elegant and functional solution for all surfaces

With exclusive features and an elegant design, the new POP-UP boxes bring together ease of use and installation elegance.

The structure in 5 different finishes, compact and extremely thin, perfectly integrates with all working environments.



## EXTRA-SLIM DESIGN

Elegant solution with "extra slim" design, with a protrusion of only 5 mm from the flush mounting surface.



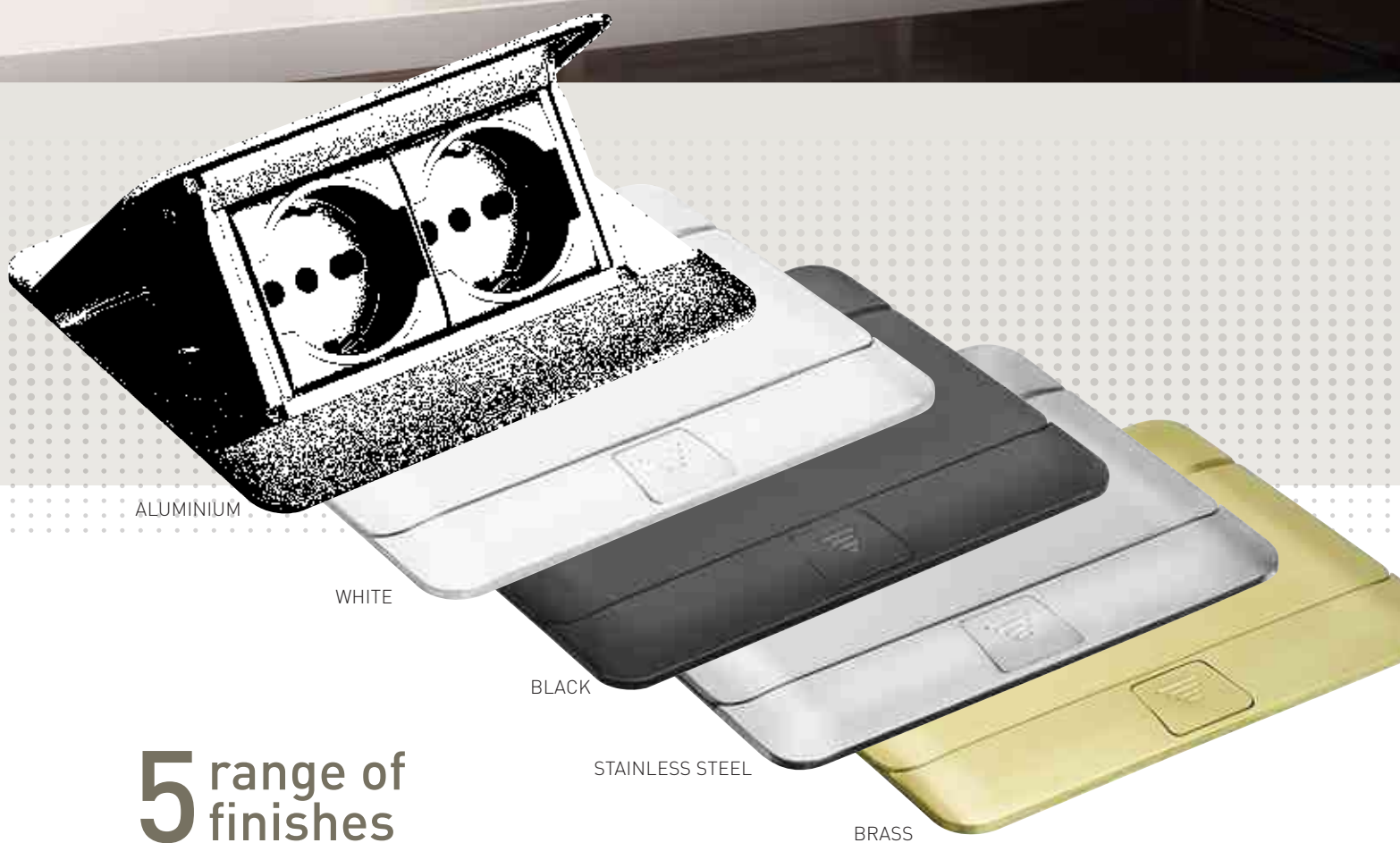
## PUSH & SLIDE COVER

Patented system with controlled opening for maximum safety in floor installation.



## DESKTOP AND FLOOR INSTALLATION

Installable both in floating or concrete surfaces and floors, it can be completed with 4 modules of the MÀTIX or LIVINGLIGHT range.



ALUMINIUM

WHITE

BLACK

STAINLESS STEEL

BRASS

5 range of finishes



#### ACCESSORIES

- The most equipped version includes:
- Italian and German standard socket 10/16 A
  - RJ45 winding cable
  - miniUSB winding cable

#### RANGE OF FINISHES

Three finishes - white, black, and steel - ensure the best integration of the power&data desk grommets with all the surfaces.

#### FLUSH MOUNTED DESKTOP

The power&data desk grommets have been designed for installation inside 60 to 80 mm desktop holes. The plastic accessory is used to fasten the grommet to the desktop without damaging the surface.

# POWER&DATA DESK GROMMETS WITH SOCKET AND USB AND RJ45 CONNECTORS

A function centre with elegant design and multiple finishes for better integration in all environments.

Quick hooking system for simple and effective installation.



FIXING ACCESSORY

POWER&DATA DESK GROMMETS



RJ45 UTP CAT6 CONNECTOR



MICROUSB CONNECTOR



### SWITCH

The luminous switch gives the possibility of easily switching the connected devices on and off, avoiding extended stand-by situations, reducing energy consumption and ensuring better product safety.



### USB CHARGER

Multisockets are also available in the version with 5V USB power socket. The USB socket gives the possibility of charging electronic devices without the need for dedicated power supply units.



### MODULAR SOLUTIONS

When other types of connections or devices are required, modular and aesthetically coordinated solutions are also available, for the installation of products of the BTicino civil series.

# USB PRE-WIRED MULTISOCKETS

The BTicino multisockets, available in 9 versions with different performances and accessories, meet all the needs of personnel working at the desk.



PRE-WIRED MULTISOCKETS



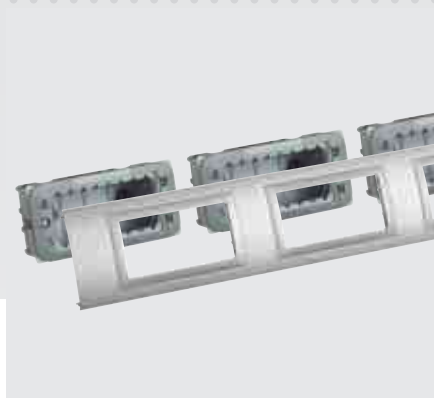
#### KIT SOLUTION

The 8 to 12 module capacity kit versions, made of aluminium, include all the aesthetic and installation components, and are ready to be accessorised with all the devices of the civil series.



#### NEW FINISHES

The KIT solutions are available in the following finishes: aluminium, white, and anthracite, for best integration with the civil series and the installation locations.



#### FINISHING INSTALLATION KIT

New aesthetic accessories with curved covers give the possibility of easily installing civil series supports on the workstation channel.



# TABLE-TOP WORKSTATION

Modular pre-configured solutions capable of distributing all the services required in workstations: energy, data, and telephone systems.



TABLE-TOP  
WORKSTATION TRUNKING

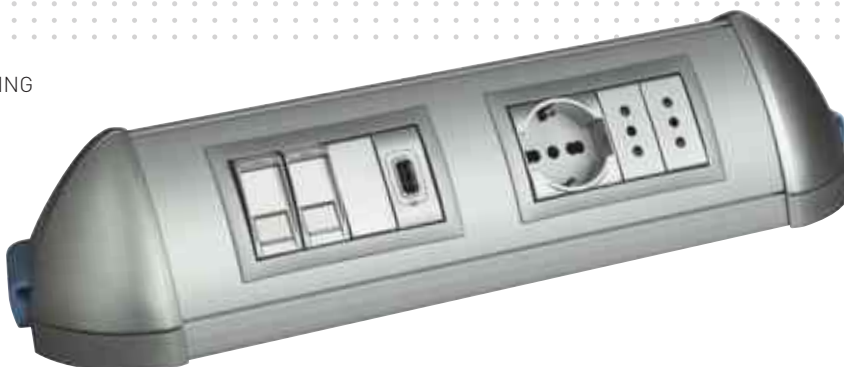


TABLE-TOP WORKSTATION KIT

# AUDIO/VIDEO KIT



The AUDIO/VIDEO KIT is the innovative system designed for projection in meeting room, thanks to which it is possible to manage switching among projection workstation. A system consisting of pre-wired workstations that give

the possibility of switching the audio-video signal with one single key. Simple and quick to install, it consists of one receiver and two emitting modules, and it can be expanded with additional workstations.



## CONTROL KEY

Using the control key, it is possible to enable the projection of the PC connected to the corresponding workstation. In order to change the source of the projection, simply press the control key of another workstation.



## EXPANDABLE SYSTEM

The kit consists of 3 workstations, one for the connection of the projector, and two for the connection of the PCs. Other individual PC workstations may be connected to the kit, to expand the system.



## OTHER SERVICES

The audio/video kit workstations also integrate services such as the energy socket and the USB charger.



PROJECTOR WORKSTATION



PC WORKSTATION



### COVERS AND FINISHES

- The covers are fitted with:
- patented release system for the reversibility of the same;
  - ergonomic handle for easier opening;
  - safety block to prevent opening from unauthorised personnel.
  - anti-slip stainless steel finish, or empty compartment customisable by the customer.



### STRUCTURAL SAFETY

Cover controlled closing systems and metal hinges ensure products with long-lasting properties and maximum safety of use.



### MAXIMUM FUNCTIONALITY

- Exclusive features guarantee maximum installation functionality, thanks to:
- removable module for future expansions, and for easier wiring.
  - feet with anti-locking systems, for easier assembly and disassembly;
  - supports with double hooking systems, for safer installation.

# INTERLINK UNDERFLOOR BOXES



Flush mounted and underfloor boxes meeting the requirements of the CEI EN 60670-23 standards, for installation in floating and concrete floors. Ideal solutions for the arrangement of offices, and also for possible layout changes. Available in the traditional 8/10 and 16/20 module versions, and in the larger 24/30 module version.

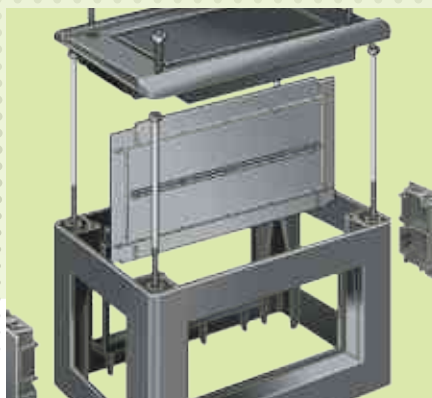


UNDERFLOOR BOX, 20 MODULES



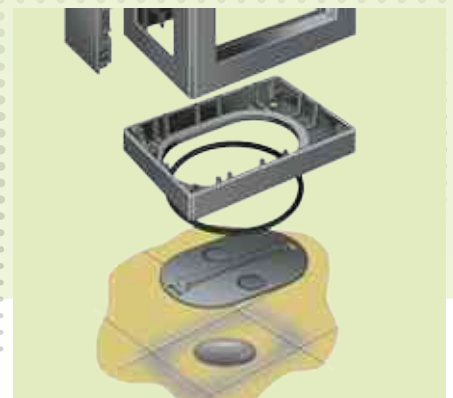
#### UP TO 16 MODULES FOR WORKSTATION

Protruding towers are available both in the single face and the double face version. Double versions, in resin or aluminium, can have a maximum capacity of 8+8 modules.



#### MODULAR SYSTEM

Single face and double face protruding towers can be overlapped to increase the available modules. This solution is particularly useful for system expansion.



#### SAFE INSTALLATION

The wide range of accessories ensure the utmost safety during wiring and positioning of the towers and guarantee, when correctly installed, an IP52 protection index between the tower and the floor.

# INTERLINK PROTRUDING TOWERS



Minimal design and multiple accessory possibilities mean that the protruding towers can offer solutions that meet aesthetic and functional needs of offices and modern service sector environments.

Protruding towers are the most compact and functional solutions for powering workstations from the ground.



8+8 MODULE OVERLAPPING  
RESIN BOXES.



ALUMINIUM TOWER,  
4+4 MODULES



#### FINISHING INSTALLATION KIT

Finishing accessories with curved covers ensure easy installation of civil series supports on single face columns and minicolumns.



#### SINGLE FACE COLUMN

Functional solution available with curved or flat cover for the powering of 2 workstations.



#### DOUBLE FACE COLUMN

Larger solution with better accessorising possibilities, which thanks to the internal partitions provides distribution of up to 4 different services (network/data, power, telephone system, etc.)

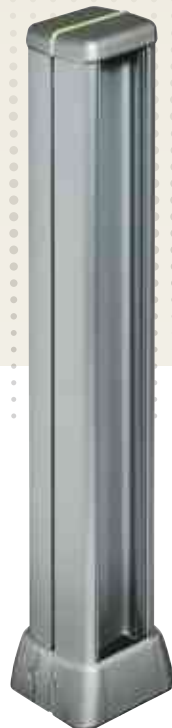


# INTERLINK COLUMNS AND MINICOLUMNS



The vertical distribution system with columns and mini-columns is the ideal solution for the distribution of energy and data services from the ceiling or the floor to the workstations.

The offer includes several types of aesthetically and functionally coordinated products.



DOUBLE FACE  
MINICOLUMN



SINGLE FACE  
MINICOLUMN



DOUBLE FACE  
COLUMN

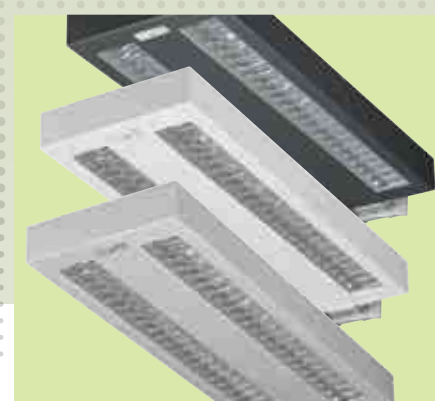


SINGLE FACE  
COLUMN

# LAMP FOR INTERLINK COLUMNS

The new lamp ensures a timely management of the lighting of the workstation, is available in white, aluminium,

and anthracite, and in the three different versions: on-off, 1-10V dimmer, and with movement sensor.



## FEATURES

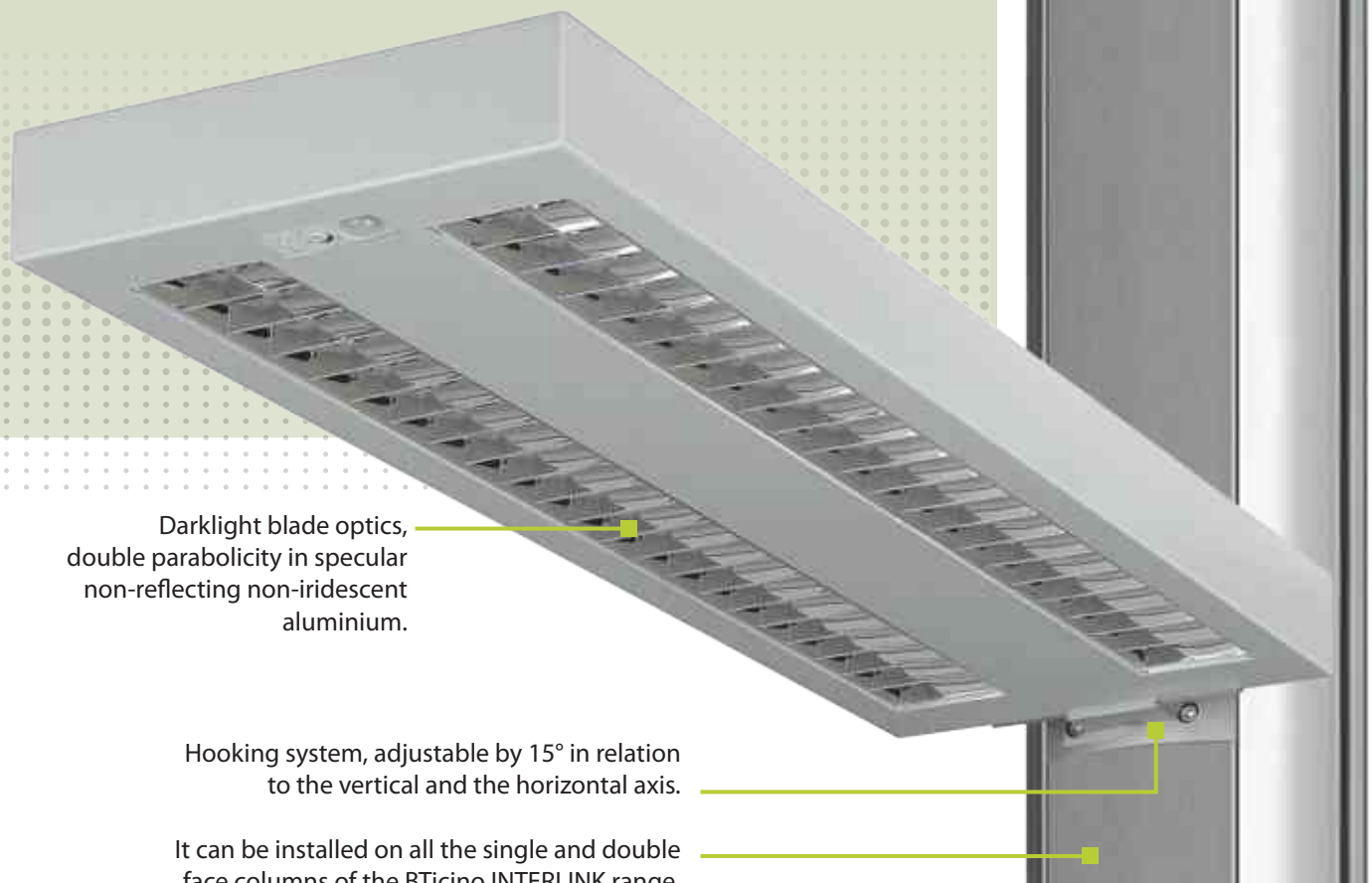
Thanks to a timely type of lighting, the lighting system ensures 500 lux on the workstation.

## FUNCTIONS

Two-lamp devices for linear T5 fluorescent lamps, available in the dimmer, ON-OFF, and movement sensor versions.

## RANGE OF FINISHES

The lamps are available in aluminium, white and anthracite, for aesthetic integration with the single and double face columns.



Darklight blade optics,  
double parabolicity in specular  
non-reflecting non-iridescent  
aluminium.

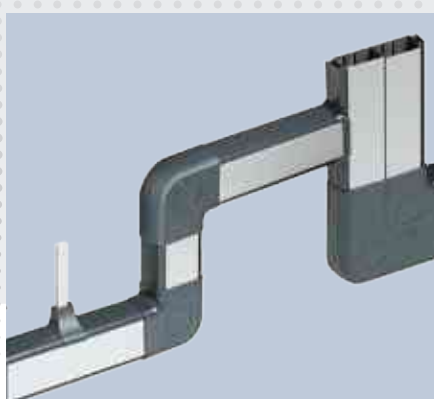
Hooking system, adjustable by 15° in relation  
to the vertical and the horizontal axis.

It can be installed on all the single and double  
face columns of the BTicino INTERLINK range.



#### TYPE AND COLOURS

Seven different aesthetic finishes, coordinated with the cover plates of the BTicino civil series. Two sizes to meet the needs of all systems.



#### MAXIMUM OF ACCESSORIES

A complete range of path and distribution accessories, to complete any type of installation.



#### INTEGRATED CIVIL SERIES

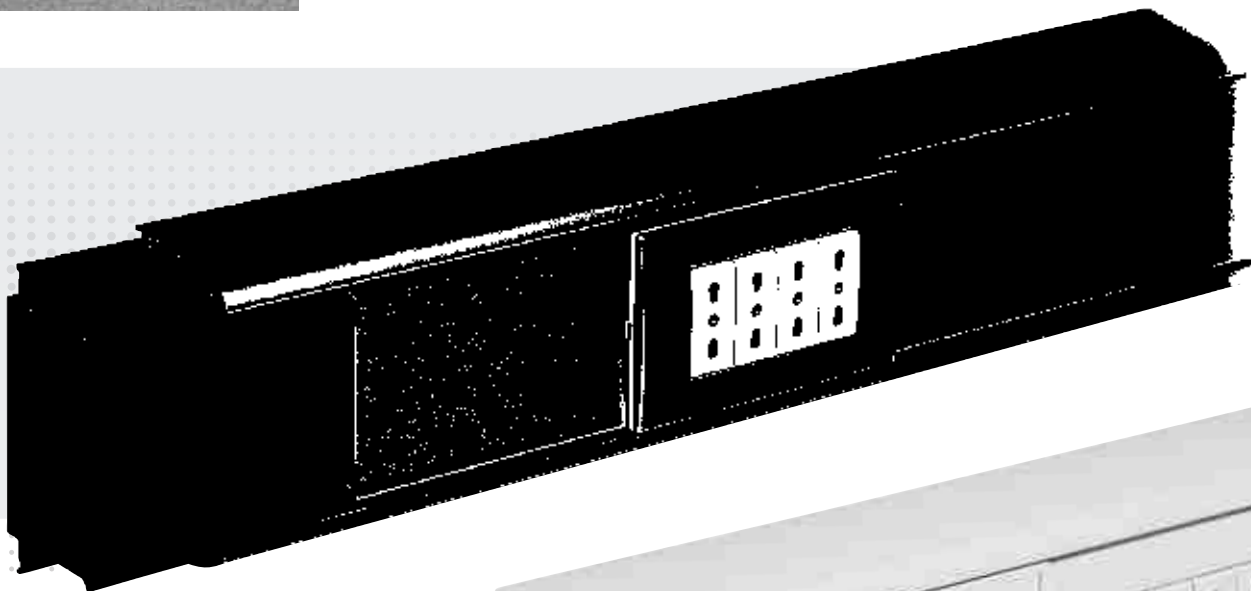
A wide selection of accessories for integrated and aesthetic installation of the main civil series of the BTicino offer, a range that also include switchboards for the installation of DIN35 rail devices.

# INTERLINK WALL MOUNTED TRUNKINGS



The INTERLINK channel offer has a very high level design and countless finishes. The variety of colours and finishes available ensures better integration with the area of installation.

A multifunctional installation solution that can be accessorised with 120x60 and 200x60 PVC channels.



PVC TRUNKING -  
ALUMINIUM FINISH



PVC TRUNKING -  
BRIGHT WHITE FINISH

# POP-UP BOXES



150647NA



150647NW



150640NL



150640NK

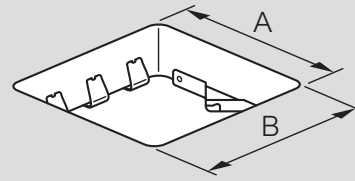


150645N

Item	BOXES
150647NA	4 module pop-up boxes, aluminium finish
150647NW	4 module pop-up boxes, white finish
150647NG	4 module pop-up boxes, brass finish
150647NS	4 module pop-up boxes, stainless steel finish
150647NB	4 module pop-up boxes, black finish

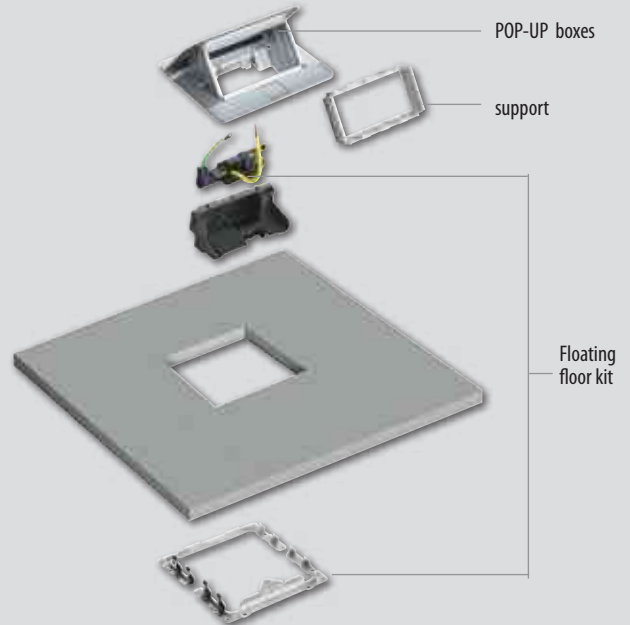
SUPPORTS AND ACCESSORIES	
150640NL	metal box for underfloor installation
150640NK	Desktop or floating floor installation kit
150645N	4 module Living International Light support
150646N	4 module Matix support

## DESKTOP OR FLOATING FLOOR INSTALLATION

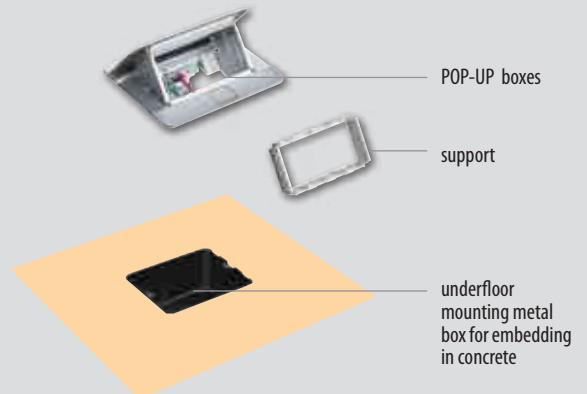


Size	A* (mm)	B* (mm)
4 modules	108	131

\* +/- 1 mm



## FLOOR INSTALLATION



## TECHNICAL FEATURES

POP-UP boxes are made in accordance with

CEI 64-8 and CEI EN 60670-23 standards

Impedance:  $R < 0.05$  Ohms

Protection index against

mechanical impact: IK 07

Protection index: IP 30 with open cover

IP 40 with closed cover

Vertical load resistance: 1500 N with open cover

3000 N with closed cover

Rated voltage: U 500 V - R > 5 MOhms

Electric resistance: 2000 V

Floor installation: installed on floors with dry cleaning method

Materials

Halogen, fire proof, and non-flame propagating.

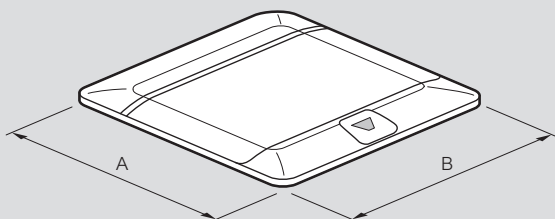
Resistant to variation temperatures and to corrosion.

Finish	Material
Brass	Brass
Aluminium	Aluminium
Steel	Nickel plated zamak
Black	Black painted aluminium
White	White painted aluminium

Energy/data distribution compatibility

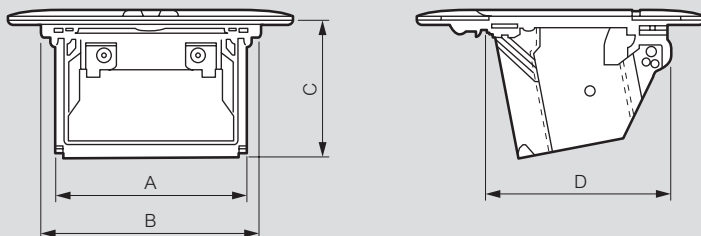
Flush mounted type	energy	data
Concrete	yes	no
Floating floor	yes	Cat. 6
Desktops	yes	Cat. 6

## DIMENSIONAL DATA



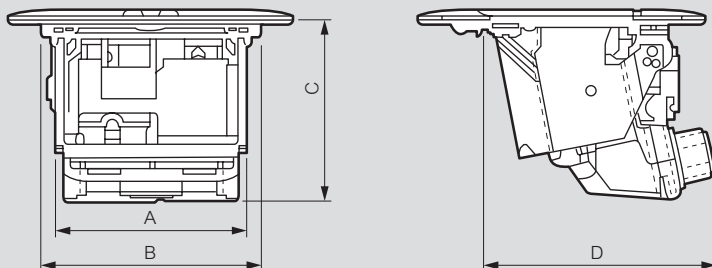
Size	A (mm)	B (mm)
4 modules	120	142.5

Empty box



Sizes	A (mm)	B (mm)	C (mm)	D (mm)
4 modules	102.3	114.5	57	77.5

Box with flush mounting kit



Sizes	A (mm)	B (mm)	C (mm)	D (mm)
4 modules	102.3	114.5	74.8	96.1

# POWER&DATA DESK GROMMETS



150472



054066



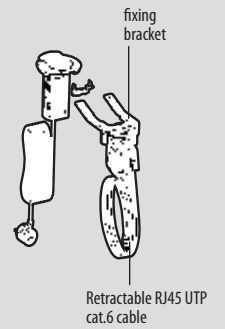
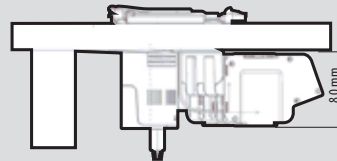
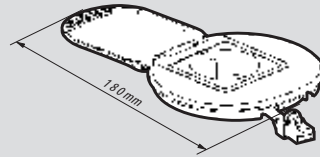
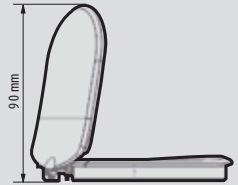
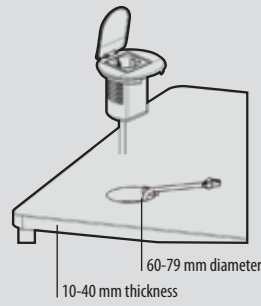
054067

## POWER&DATA DESK GROMMETS

Power&data desk grommets with power supply cable 3x1.5 mm<sup>2</sup> length 2 m. Maximum power 3680 W - 16 A - 250 VA

150470	white power&data desk grommets with 1 German standard socket
150471	white power&data desk grommets with 1 German standard socket + USB
150472	black power&data desk grommets with 1 German standard socket
150473	black power&data desk grommets with 1 German standard socket + USB
150474	steel power&data desk grommets with 1 German standard socket
150475	steel power&data desk grommets with 1 German standard socket + USB
054066	retractable RJ45 UTP, cat6 cable
054067	1.5 m microUSB retractable cable

## POWER&DATA DESK GROMMETS





## PRE-WIRED MULTISOCKETS



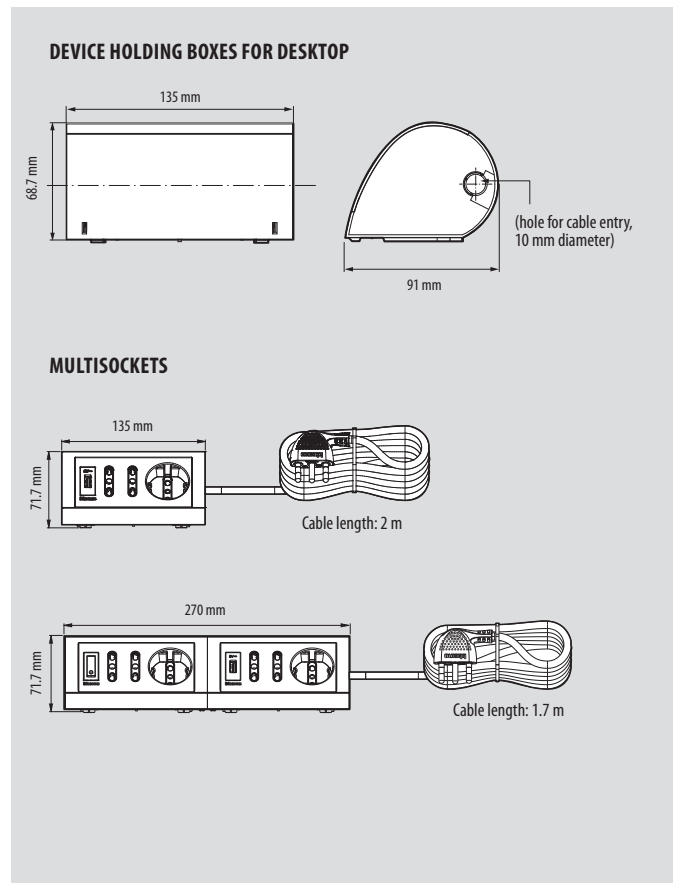
Item	PRE-WIRED DESKTOP MULTISOCKETS
150460	2 x 10/16A 2-centre sockets, 1 P30 German socket, luminous switch, with cable 2 m, 250 Vac - white
150461	2 x 10/16A 2-centre sockets, 1 P30 German socket, luminous switch, with cable 2 m, 250 Vac - grey
150466	2 x 10/16A 2-centre sockets, 1 P30 German socket, luminous switch, with cable 2 m, 250 Vac - tech
150462	2 x 10/16A 2-centre sockets, 1 P30 German socket and 1 USB socket with 5V - 1A max. power supply, with cable 2 m, 250 Vac white
150463	2 x 10/16A 2-centre sockets, 1 P30 German socket and 1 USB socket with 5V - 1A max. power supply, with cable 2 m, 250 Vac grey
150467	2 x 10/16A 2-centre sockets, 1 P30 German socket and 1 USB socket with 5V - 1A max. power supply, with cable 2 m, 250 Vac tech
150464	4 x 10/16A 2-centre sockets, 2 P30 German sockets, luminous switch and 1 USB socket with 5V - 1A max. power supply, with cable 1.7 m, 250 Vac - white
150465	4 x 10/16A 2-centre sockets, 2 P30 German sockets, luminous switch and 1 USB socket with 5V - 1A max. power supply, with cable 1.7 m, 250 Vac - grey
150468	4 x 10/16A 2-centre sockets, 2 P30 German sockets, luminous switch and 1 USB socket with 5V - 1A max. power supply, with cable 1.7 m, 250 Vac - tech

## DEVICE HOLDING BOXES



Item	DEVICE HOLDING BOXES FOR DESKTOP
	Device holding boxes for desktop with civil series finishes Desktop installation without the need of screws, with the possibility of side by side installation (with accessory) of up to 4 boxes. In alternative, the boxes may be secured to the desk with screws, without any limits in numbers.
150432	LIVING 4 module device holding boxes
150433	LIGHT 4 module device holding boxes
150434	LIGHT TECH 4 device holding boxes
150431	MÀTIX 4 module device holding boxes
150439*	accessory for continuous installation of several device holders

\* cannot be used with the pre-wired versions



# TABLE-TOP WORKSTATION KIT

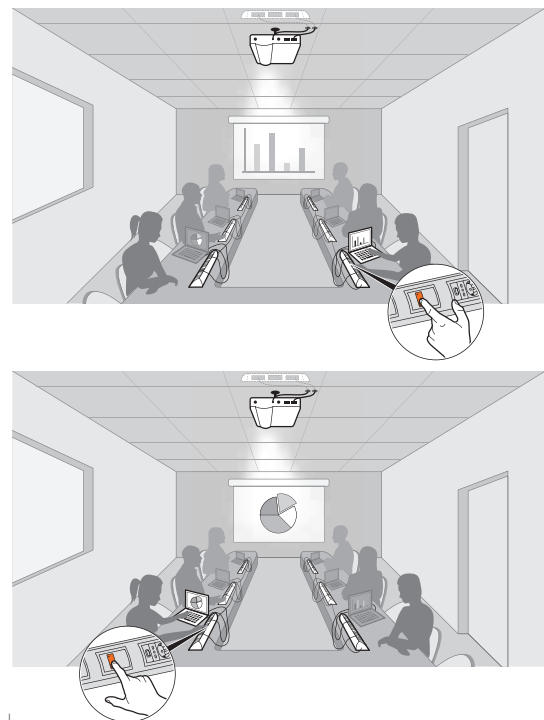


Item	WORKSTATION KIT
123006AL	kit for LIVINGLIGHT 8-module aluminium workstation
123006BA	kit for LIVINGLIGHT 8-module white workstation
123006GR	kit for LIVINGLIGHT 8-module anthracite grey workstation
123007AL	kit for LIVINGLIGHT 12-module aluminium workstation
123007BA	kit for LIVINGLIGHT 12-module white workstation
123007GR	kit for LIVINGLIGHT 12-module anthracite grey workstation
123005AL	table-top fixing bracket with thickness from 5.4 to 62.5 mm

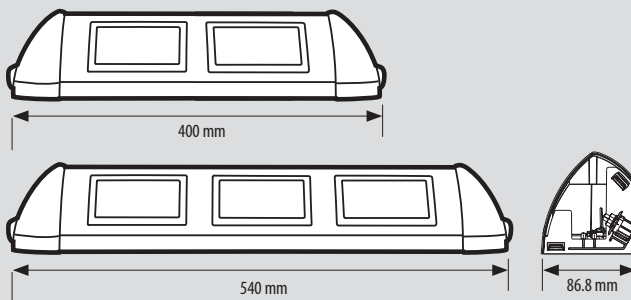
# AUDIO/VIDEO KIT



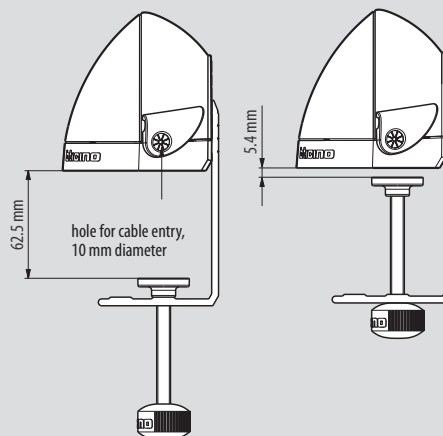
Item	AUDIO/VIDEO KIT
AVS1001	Meeting room audio/video kit
AVS1002	Extension meeting room audio/video kit



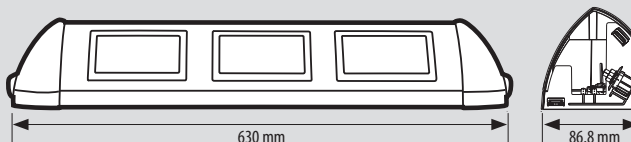
## WORKSTATION KIT



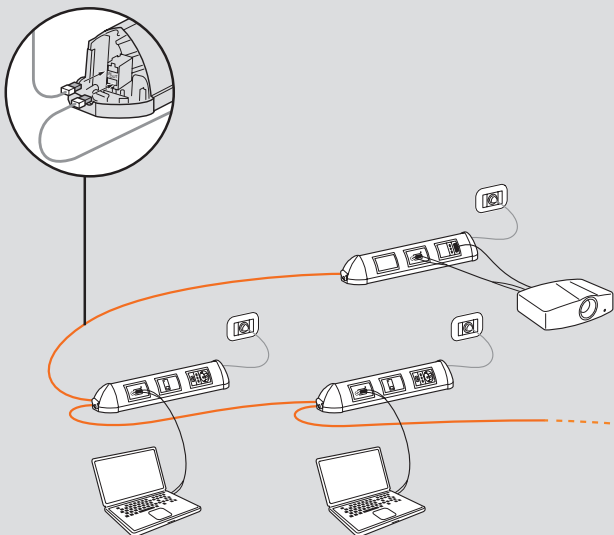
## MINIMUM AND MAXIMUM SIZES OF THE SUPPORT BASE FOR WORKSTATION FASTENING WITH ITEM 123005AL BRACKET



## AUDIO/VIDEO KIT



## CONNECTION CARD





# TABLE-TOP WORKSTATION




Item	TRUNKING WITH COVER			
	Material	Length (mm)	Colour	
123001NGR	PVC	2000	anthracite	
123001NBA	PVC	2000	white	
123001NTH	PVC	2000	tech	
123020NAL	Aluminium	2000	aluminium	


Item	FINISHING INSTALLATION KIT (for LIVINGLIGHT supports)			
	Material	Length (mm)	No. of modules	
129255		233	4	
129256		304	8	
129257		436.5	12	


END CAPS				
	Material	Colour	Type	
123002GR	PVC	anthracite	closed	
123002BA	PVC	white	closed	
123002TH	PVC	tech	closed	
123004GR	PVC	anthracite	with cable hole	
123004BA	PVC	white	with cable hole	
123004TH	PVC	tech	with cable hole	


DESKTOP FIXING BRACKET			
	Material	Thickness desktop	
123005AL		Aluminium	5.4 - 62.5


ALUMINIUM TRUNKING EARTHING CABLE		
	Width (mm)	
123019		300

JOINT		
	Colour	
123003GR	anthracite	
123003BA	white	
123003TH	tech	

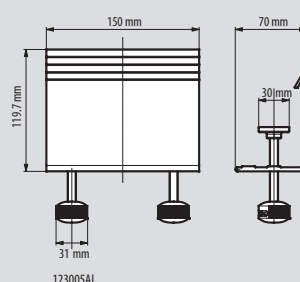
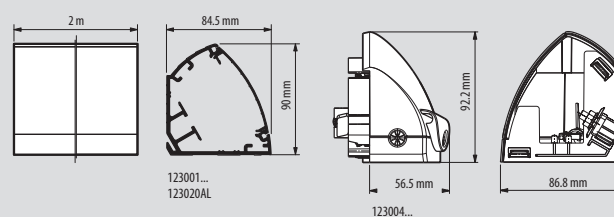
PARTITION			
	Material	Length (mm)	
120009		Plastic	5.4 - 62.5

BOXES FOR CIVIL SERIES				
box	support	Modules	Series	
120022	120032	2	LIVING/ LIGHT /LIGHT TECH	
120024	120034	4	LIVING/ LIGHT /LIGHT TECH	
120024	120035	4	MÀTIX/MAGIC	

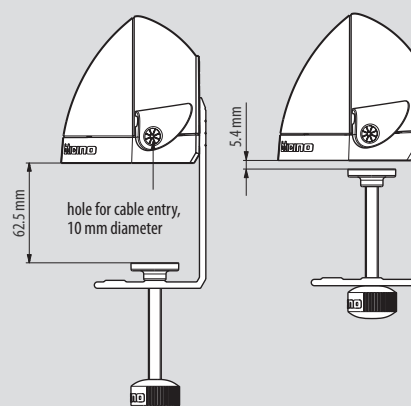
FRONT COVER PLATES				
	Colour	Modules	Series	
W11119GR	anthracite	2	LIGHT TECH	
W11119	white	2	LIGHT TECH	
W11119TH	tech	2	LIGHT TECH	
W11120GR	anthracite	4	LIGHT TECH	
W11120	white	4	LIGHT TECH	
W11120TH	tech	4	LIGHT TECH	
123045BA	anthracite	4	MÀTIX	
123045AV	ivory	4	MÀTIX	
123045TH	tech	4	MÀTIX	

MINICOLUMN-DESKTOP CONNECTOR		
	Colour	
129080	anthracite	

## WORKSTATION

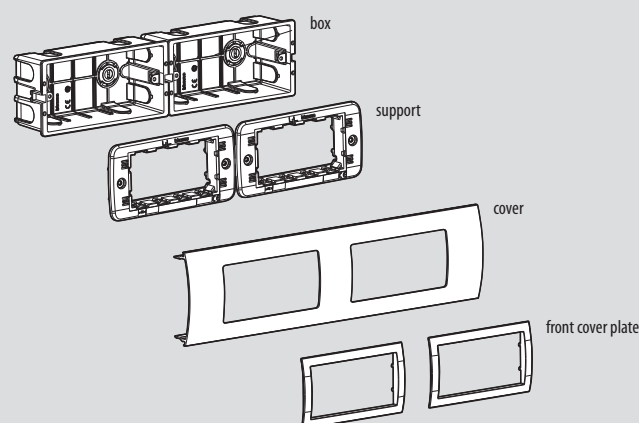


## MINIMUM AND MAXIMUM SIZES OF THE WORKSTATION SUPPORT BASE



## FINISHING INSTALLATION KIT (ITEM 129256)

### COMPOSITION



# UNDERFLOOR BOXES AND ACCESSORIES



150701  
150703



150702  
150704



150712  
150713



150714  
150715



150716



150706



150561S  
150563S  
150569S



150717



150719



150718

Item	UNDERFLOOR BOXES	
	Underfloor boxes for raised floor that can be equipped with supports for the installation of the LIVINGLIGHT, MAGIC, MATIX, and LUNA civil series, and DIN rail devices.	
	Modules	Cover finish
150701	8-10	customisable
150702	8-10	stainless
150703	16-20	customisable
150704	16-20	stainless
150705	24-30	customisable
150706	24-30	stainless

METAL FLUSH MOUNTED BOXES		
Galvanised aluminium flush mounting boxes for the installation of underfloor boxes in traditional floors.		
	Modules	
150561S	for 8-10 module box - civil series	
150563S	for 16-20 module box - civil series	
150569S	for 24-30 module box - civil series	

Item	COMPLETION ACCESSORIES
	Completion supports to be installed in the underfloor boxes - in resin - (RAL 7021) grey colour
150712	support for 5 modules of the LIVINGLIGHT and LUNA series
150713	support for 4 modules of the MATIX series
150714N	support for 5 RJ45 TOOLLESS IDC loose connectors
150715 <sup>(1)</sup>	support for 5 RJ45 110 IDC loose connectors (keystone coupling)
150716	support for DIN 2 module (1+1) modular devices
150717	blanking module support
150718	internal partition for item 150712 and item 150713
150719 <sup>(2)</sup>	pre-wired module
150720	support for 5 RJ45 110 IDC loose connectors

(1) use blanking modules item C9500TB for unused compartments

(2) cannot be installed in boxes item 150705 and item 150706

# UNDERFLOOR BOXES AND ACCESSORIES

The underfloor boxes are made in accordance with CEI 64-8 and CEI EN 60670-23 standards, and ensure the following protection index:

**IP4X** on the perimeter of the cover and between surround plate and floor;

**IP2X** by the cover cable outlets;

**IP52** near the fastening between box and floor, by means of seal.

The above protection index meet the requirements for horizontal connection plugs, and for installation on raised floors for which no washing liquids are required during cleaning.

The thermoplastic resins used (polycarbonate for the cover, surround plates and supports - ABS for the container) have the following resistances to abnormal heat and fire:

- UL - V0

- CEI 50-11 - IEC 60695-2-1: 850°C Glow Wire Test.

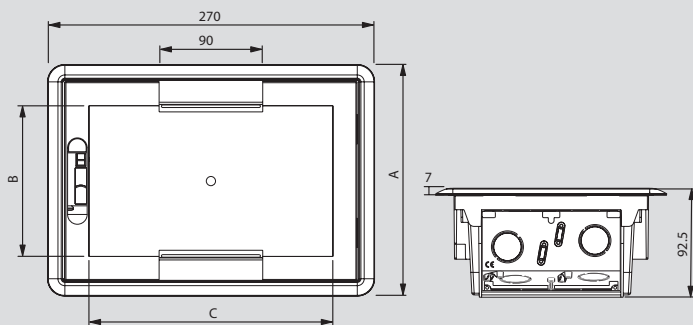
Wiring of the underfloor boxes is made easier by cut-outs and systems for quick cable connection. The plastic cable glands supplied as standard provide an IP4x protection index.

Installation in raised floors requires the simple cutting out of a hole in one of the raised floor panels; 4 fasteners are secured to the bottom of the panel to secure the device to the hole. In traditional floors, the installation of the boxes requires the use of a metal box (item 150561S, 150563S, and 150569S), appropriately connected to the underfloor distribution system.

The specific device holder support, item 150716, gives the possibility of installing in each housing DIN modular devices with capacity of up to 2 modules. The cover with reversible installation has metal hinges and a controlled spontaneous closing system, as indicated in the CEI 64-8 standard. Opening is made easier by the ergonomic handle.

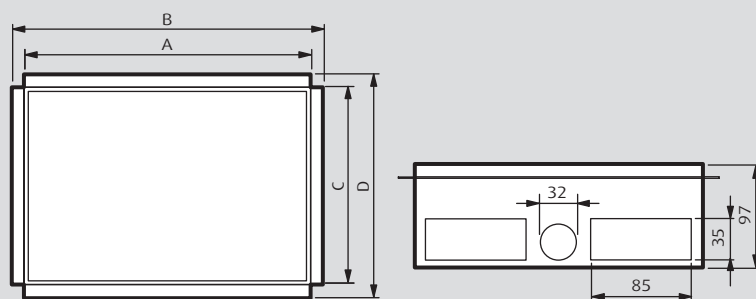
The cover is available in 2 stainless steel finishes, with slip prevention incisions, or with recess for customisation and integration with the floor (e.g. carpet, linoleum, etc. with thickness of 4 or 8 mm). Both types of covers have a steel reinforcement plate that ensures a load resistance of up to 3000N

## UNDERFLOOR BOXES



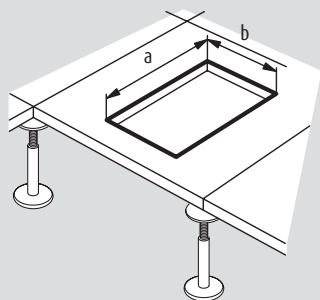
Item	A mm	B mm	C mm	Floor hole mm
150701	185	129	210	256x170
150702	185	129	210	256x170
150703	305	249	210	256x290
150704	305	249	210	256x290
150705	441	369	210	256x410
150706	441	369	210	256x410

## INSTALLATION BOX IN TRADITIONAL FLOORS



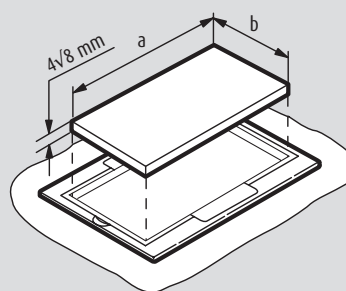
Item	No. of mod.	A mm	B mm	C mm	D mm
150561S	8-10	259	279	174	202
150563S	16-20	259	279	294	322
150569S	24-30	259	279	416	438

## INSTALLATION IN FLOATING FLOORS



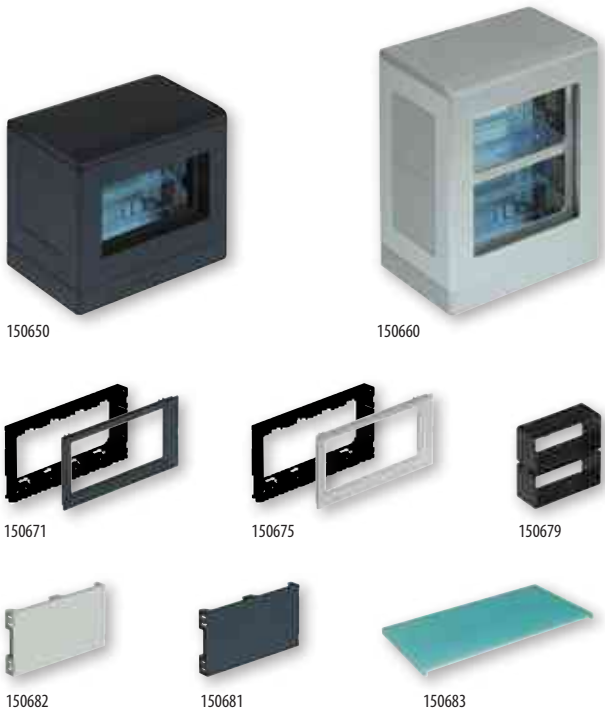
Item	a (mm)	b (mm)
150701-150702	256	170
150703-150704	256	290
150705-150706	256	410

## INSTALLATION OF THE COVER AND CARPET OR OTHER FLOOR COVERING CUTTING SIZES



Item	a (mm)	b (mm)
150701	129	210
150703	249	210
150705	369	210

# PROTRUDING TOWERS



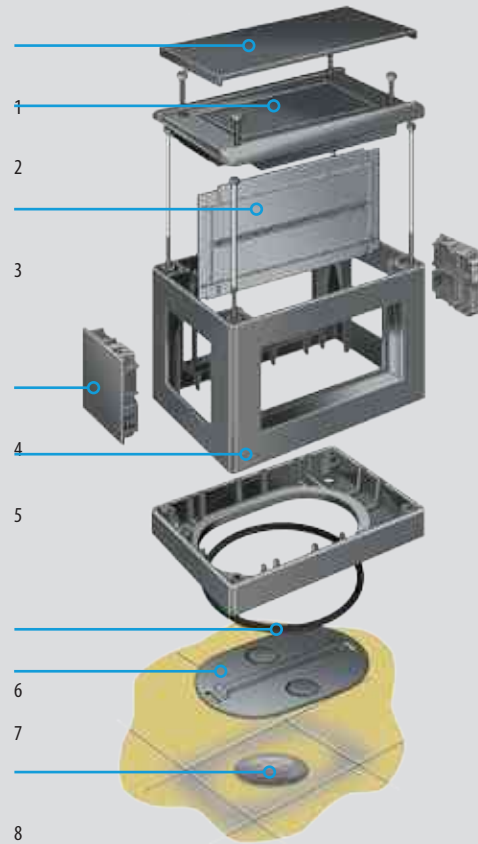
Item	MODULAR DOUBLE FACE TOWERS
150650	4+4 module resin double face tower - anthracite grey colour
150652	4+4 module resin double face tower - light grey colour
150655	4+4 module double face tower with aluminium body and resin base - light grey colour
150660	8+8 module double face tower with aluminium body and resin base - light grey colour

Item	SUPPORTS AND FRONT COVERS AND ACCESSORIES
150671	LIVING/LIGHT/LIGHT TECH 4 module support and front cover in anthracite grey colour
150672	LUNA 4 module support and front cover -white
150674	adapter for installation of device holding supports with fixing centre 83.5 mm
150675	LIVING/LIGHT/LIGHT TECH 4 module support and front cover in light grey colour
150676	MÄTIX-MAGIC 4 module support and front cover - anthracite grey colour
150677	MÄTIX-MAGIC 4 module support and front cover - light grey colour
150681	blanking module - anthracite grey
150682	blanking module - light grey
150679	connection accessory for horizontal side by side installation of double face boxes
150683	photo luminescent cover for finding the position of the box in the dark

Accessories, see page 41

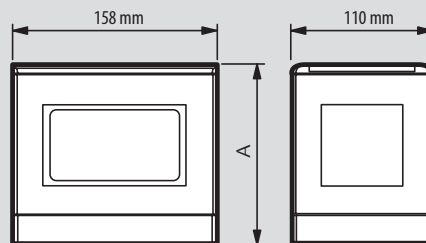
## CORRESPONDENCE TO THE STANDARDS

All the underfloor boxes comply with the CEI 64-8 standards. The geometric axis for the insertion of plug sockets is at a height exceeding the required 40 mm. In addition, for the mechanical coupling at floor level (with the boxes correctly installed), an IP52 protection index is guaranteed for systems completed using plinths with appropriate seals.



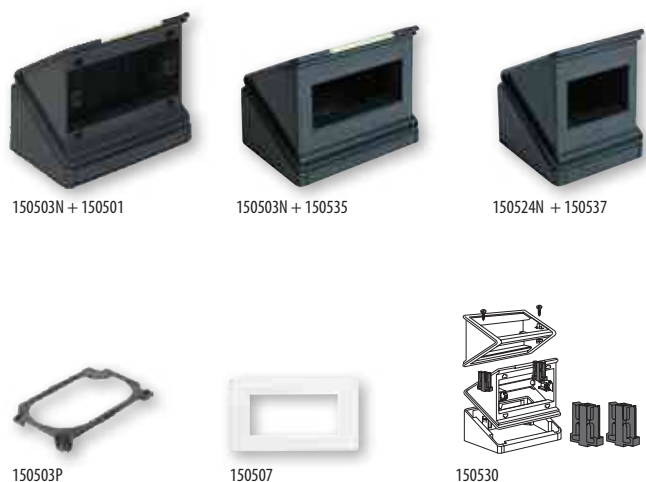
### Legend

- 1) cover
- 2) structure closing cover
- 3) internal partition
- 4) side closures
- 5) device-holder module
- 6) seal
- 7) component to be used if the BTicino junction union is not available
- 8) underfloor junction union



Item	A mm
150650	141
150652	141
150655	141
150660	205

# SINGLE FACE PROTRUDING TOWERS



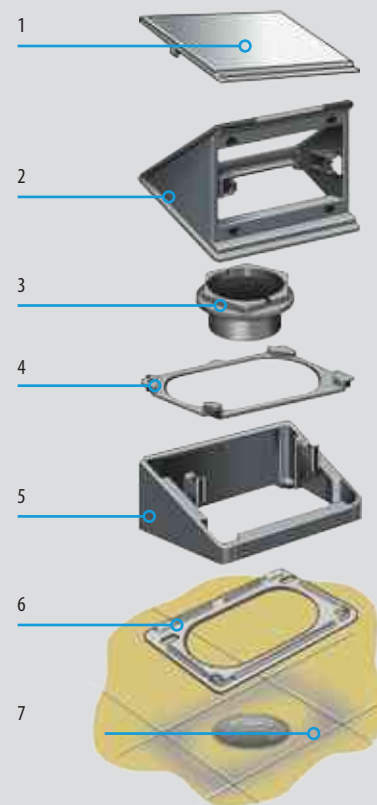
Item			MODULAR SINGLE FACE TOWERS
			Modular single face device holding boxes in anthracite grey (RAL 7021) textured resin.
Tower	Base	Modules	
150501	150503N	4 MATIX MAGIC	
150535	150503N	5 LIVINGLIGHT	
150537	150524N	3 LIVINGLIGHT	

ACCESSORIES	
150530	pair of coupling blocks for overlapped installation of 150501 and 150535 boxes.
150503P	Fixing ring plate
150507	MATIX 4 module surround plate

Accessories, see page 41

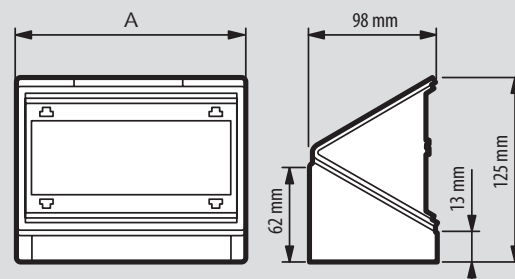
## CORRESPONDENCE TO THE STANDARDS

All the underfloor boxes comply with the CEI 64-8 standards. The geometric axis for the insertion of plug socket is at a height exceeding the required 40 mm. In addition, for the mechanical coupling at floor level (with the boxes correctly installed), an IP52 protection index is guaranteed for underfloor systems completed using plinths with appropriate seals.



### Legend

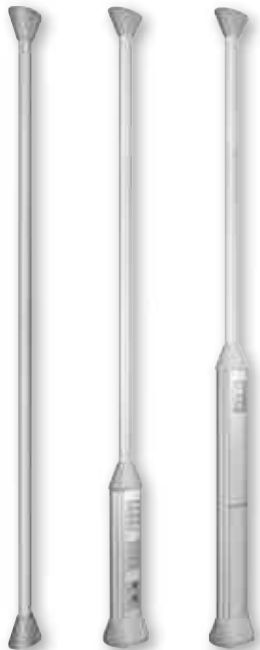
- 1) cover
- 2) device-holder module
- 3) fastening ring nut (in alternative the plinth at item 4 can be secured using 4 plugs)
- 4) fixing plate
- 5) tower base
- 6) seal
- 7) underfloor junction union
- 20) underfloor junction union



Item	A mm
150537 – 150524N	100
150535 – 150503N	155
150501 – 150503N	155

# COLUMNS AND MINICOLUMNS

## Single face



129301 129304 129303



129257 129308 129306 129307

Item	SLIM COLUMN		
	Column complete with installation accessories Body and cover with "natural aluminium" finish. Light grey resin finishing end caps.		
	Modules that can be installed	Height	Module-holder*
129301	-	3200	-
129302	12	3700	-
129304	12	3700	12
129303	24	3700	-

\*finishing installation kit for the LIVINGLIGHT supports supplied

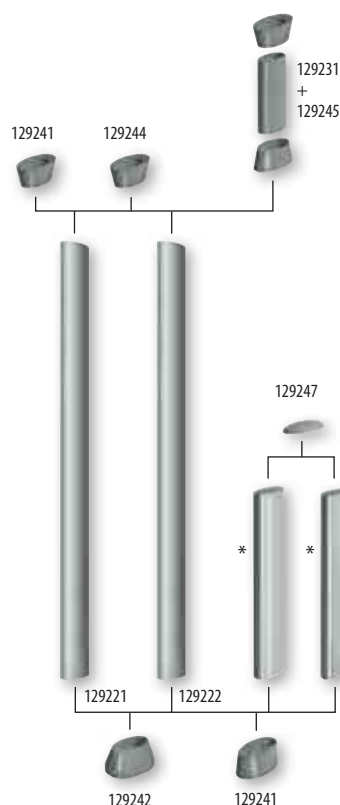
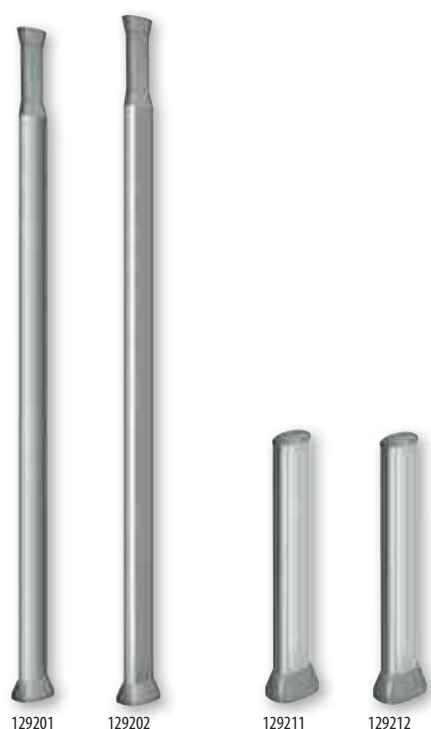
Item	ACCESSORIES
129306	cable output accessory
129307	ceiling junction
129308	wall fixing bracket
129310	hole closing accessory
129300	3.2 m slim column extension
129311	3-6 m slim column extension KIT
129013AL	pair of aluminium curve covers L 2.55m

Item	FINISHING INSTALLATION KIT (LIVINGLIGHT supports)*			
	Cover	Height (mm)	Material	No. of modules
129257/0	Curve	500	Aluminium	-
129257/1	Curve	500	Aluminium	4
129257/2	Curve	500	Aluminium	8
129257	Curve	436.5	Aluminium	12



# COLUMNS AND MINICOLUMNS

## Single face



Item	COMPLETE SINGLE FACE COLUMNS	
	Single face column complete with installation accessories. Body, cover and aluminium telescopic extension, "natural aluminium" finish. Light grey resin finishing end caps. Arrangement for integration with BTicino underfloor system	
	Cover	Height
<b>129201</b>	Curve	2710-3700
<b>129202</b>	Flat	2710-3700

Item	COMPLETE SINGLE FACE MINICOLUMNS	
	Single face minicolumn complete with installation accessories. Body, aluminium cover, "natural aluminium" finish. Light grey resin finishing end caps. Arrangement for integration with BTicino underfloor system It can be equipped with 5 x 4-place INTERLINK OFFICE supports, items 120034, or 120035, or 120032.	
	Cover	Height
<b>129211</b>	Curve	753
<b>129212</b>	Flat	753

Item	FINISHING INSTALLATION KIT (LIVINGLIGHT supports)**			
	Cover	Height	Material	No. of modules
<b>129255</b>		233		4
<b>129256</b>	Curve	304	Aluminium	8
<b>129257</b>		436.5		12

ACCESSORIES	
<b>129085</b>	Linear partition, for the separation of the services inside the column
<b>129086</b>	Linear partition for the subdivision of the services inside the minicolumn
<b>129252</b>	Column junction to trunking 120x60 mm
<b>129253/25A</b>	Column junction or telescopic extension to the trunking 120x120 mm
<b>129019*</b>	Bracket for installation of external devices on the column (cameras, notifications, displays, etc.)

Item	MODULAR SINGLE FACE COLUMNS	
	Single face column with installation accessories. Body, cover and aluminium telescopic extension, "natural aluminium" finish. Light grey resin finishing end caps. Arrangement for integration with BTicino underfloor system	
<b>129221</b>	Single face column with curve cover. Body and aluminium cover, "natural aluminium" finish. 3000 mm height	
<b>129222</b>	Single face column with flat cover. Body and aluminium cover, "natural aluminium" finish. 3000 mm height	
<b>129231</b>	Telescopic extension - extension and aluminium base, "natural aluminium" finish. 3000 mm height	

ACCESSORIES	
<b>129241</b>	Floor fastening kit for columns and minicolumns, or ceiling fastening kit for columns (when the telescopic extension is not used), complete with end caps.
<b>129242</b>	Floor fastening kit for columns and minicolumns, with end caps, for integration with the BTicino underfloor distribution system.
<b>129244</b>	Anti-slip ceiling fastening kit for the columns, with end caps. For installation without telescopic extension
<b>129245</b>	Telescopic extension ceiling and column fastening kit, with end caps.
<b>129251</b>	Linear partition (h=3000mm), for the separation of the services
<b>129252</b>	Column junction to trunking 120x60 mm
<b>129253/25A</b>	Column junction or telescopic extension to the trunking 120x120 mm
<b>129247</b>	Minicolumn end cap
<b>129019*</b>	Bracket for installation of external devices on the column (cameras, notifications, displays, etc.)

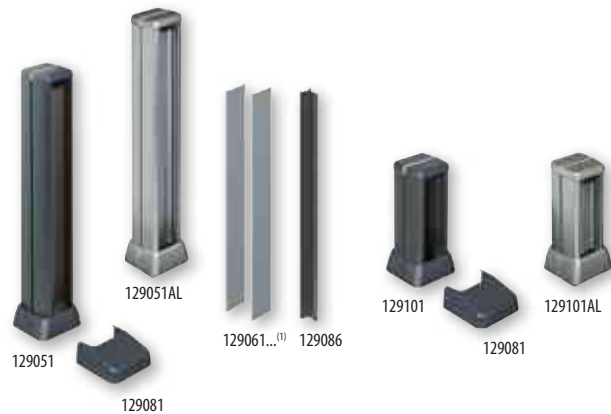
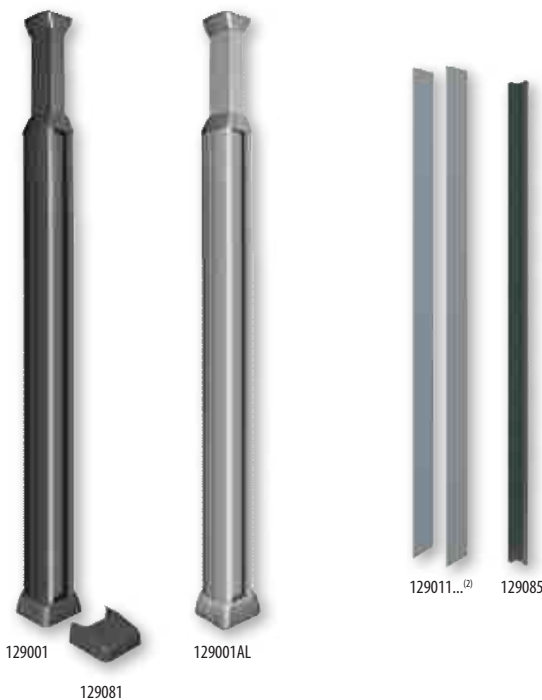
\* Can be installed only on items 129202 - 129212. On request, it is possible to have columns with maximum height exceeding the standard height (contact a BTicino Technical-Commercial representative).

\* Can be installed only on items 129202 - 129212. On request, it is possible to have columns with maximum height exceeding the standard height (contact a BTicino Technical-Commercial representative).

\*\* see composition on page 29

# COLUMNS AND MINICOLUMNS

## Double face



Item	DOUBLE FACE COLUMNS WITH VARIABLE HEIGHT
	Aluminium column with variable height to complete with covers item 129011...
<b>129001</b>	Double face column - body and telescopic element with anthracite grey finish
<b>129001AL</b>	Double face column - body and telescopic element with natural aluminium finish, junction covers for the base and the telescopic element LIGHT TECH colour
<b>129001BA</b>	Double face column - body and telescopic element with bright white finish, junction covers for the base and the telescopic element, anthracite grey colour
<b>129011... (1)</b>	Pair of covers for column
<b>129012AL</b>	Pair of covers for aluminium column
<b>129012BA</b>	Pair of covers for white painted aluminium column
<b>129012GR</b>	Pair of covers for grey painted aluminium column
<b>129085</b>	Partition for the separation of the column into compartments
<b>129081</b>	Element for connection with underfloor installations
<b>129019*</b>	Bracket for installation of external devices on the column (cameras, notifications, displays, etc.)

NOTES: (1) Complete the code of the pair of covers with the acronyms for the colour:  
 BA = bright white, RS = red, AL = aluminium, FB = white ash, GR = grey, NO = veined black,  
 PS = Swiss pear.  
 On request, it is possible to have columns with maximum height exceeding the standard height  
 (contact a BTicino Technical-Commercial representative).  
 \*Bracket item 129019 can also be used for the 120x60 and 120x120 aluminium trunking.

Item	DOUBLE FACE MINICOLUMNS WITH 780 HEIGHT
<b>129051</b>	Double face minicolumn with anthracite grey finish
<b>129051AL</b>	Double face minicolumn with natural aluminium finish
<b>129061... (1)</b>	Pair of covers for minicolumn item 129051... and item 129101...
<b>129062AL</b>	Pair of covers for aluminium minicolumn
<b>129062BA</b>	Pair of covers for white painted aluminium minicolumn
<b>129062GR</b>	Pair of covers for grey painted aluminium minicolumn
<b>129086</b>	Partition to split the compartments in the minicolumn
<b>129081</b>	Element for connection with underfloor systems

Item	DOUBLE FACE MINICOLUMNS WITH 340 HEIGHT
<b>129101</b>	Double face minicolumn, grey anthracite LIVING finish - height 340 mm; it can be equipped with 16 LIVING or LIGHT modules, by means of 4 x 120034 supports, and INTERLINK OFFICE finishing plates item 120044BA or 120044GR; it can be equipped with 16 MÀTIX modules, by means of 4 x 120035 supports, and finishing plates item 120045BA*
<b>129101AL</b>	Minicolumn as above, with natural aluminium finish
<b>129081</b>	Element for connection with underfloor systems

NOTES: (1) Complete the code of the pair of covers with the acronyms below indicating the colour:  
 BA = bright white, RS = red, AL = aluminium, FB = white ash, GR = grey, NO = veined black,  
 PS = swiss pear.  
 \*For other combinations complete the closure of the compartments by cutting to measure the covers  
 items 129061, indicated for the 780 mm high minicolumn.

# COLUMNS AND MINICOLUMNS

## Technical features

	SLIM COLUMN		SINGLE FACE COLUMNS		SINGLE FACE MINICOLUMNS		DOUBLE FACE COLUMNS	DOUBLE FACE MINICOLUMNS
	Simple	12-24 modules	Complete	Modular	Complete	Modular		
Reference standard	CEI EN 50085-2-4						CEI EN 50085-2-4	
Protection index	IP40						IP40	
Protection index against mechanical impact	IK 0.4	IK 0.4	IK 0.7 (with aluminium cover)				IK 0.7 (with aluminium cover)	
Impedance	0.02 Ω/m						0.02 Ω/m	
Height (mm)	3200	3700	2710-3700	3000	750	Max 1000 <sup>(1)</sup>	2710-3700	340 and 780
Earth connection	Using the jumpers with stop terminals, item 123019 <sup>(2)</sup>						Using the jumpers with stop terminals supplied with the product	
Junction possibility	With the distribution systems: ceiling and false ceiling (only for columns) and underfloor						With the distribution systems: ceiling and false ceiling (only for columns) and underfloor	
<b>Body</b>								
Material	Anodized aluminium rail		Anodized aluminium rail, "natural aluminium" finish Anodized aluminium rail					
No. of sections	1-2		1-2 (compartment with DIN rail)				2 to 4 (2 opposite compartments with DIN rail)	
Partition	supplied		129085	129251	129086	129251	129085	129086
Finishing covers	Supplied in PVC	Sold separately in different modularity	Supplied in aluminium, "natural aluminium" finish.				Sold separately in different colours, made in PVC and aluminium	
<b>Support base</b>								
Material	Light grey thermoplastic resin finishing end caps.						Base, covers and junction in thermoplastic resin colour LIVING anthracite grey or natural aluminium (painted)	
Floor protection index <sup>(3)</sup>	IP52						IP52	
<b>Telescopic element</b>								
Material	-	-	Anodised aluminium profile covers, painted with epoxy resins, same finish as be column body				Anodised aluminium profile covers, painted with epoxy resins, same finish as be column body	
Length (mm)	-	-	1300	3000			1300	
Load spring (270 Kg)	-	-					In steel, adjustable up to the push of approximately 2650N.	

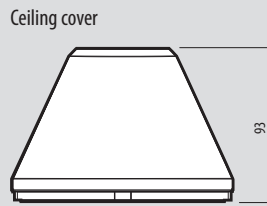
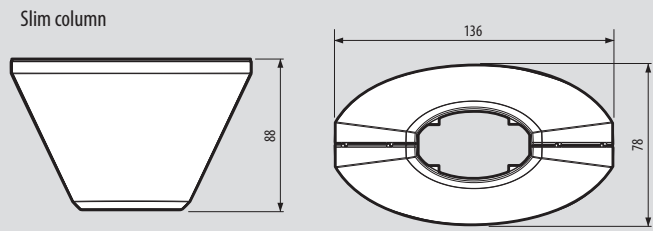
(1) the modular single face minicolumn is obtained by purchasing a modular single face column, item 129221 and item 129222 (h=3000mm), and cutting it at the desired height (MAX=1000 mm)

(2) for columns and minicolumns, earth connections are supplied as standard

(3) the protection index is guaranteed by the coupling between the floor and the seal

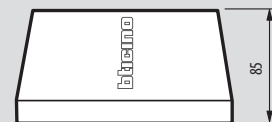
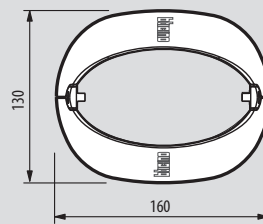
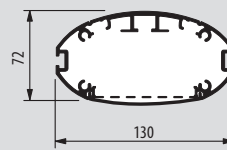
# DIMENSIONAL DATA

## SLIM COLUMN



Floor cover

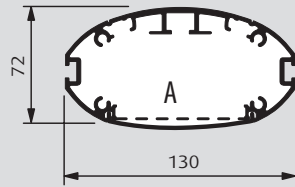
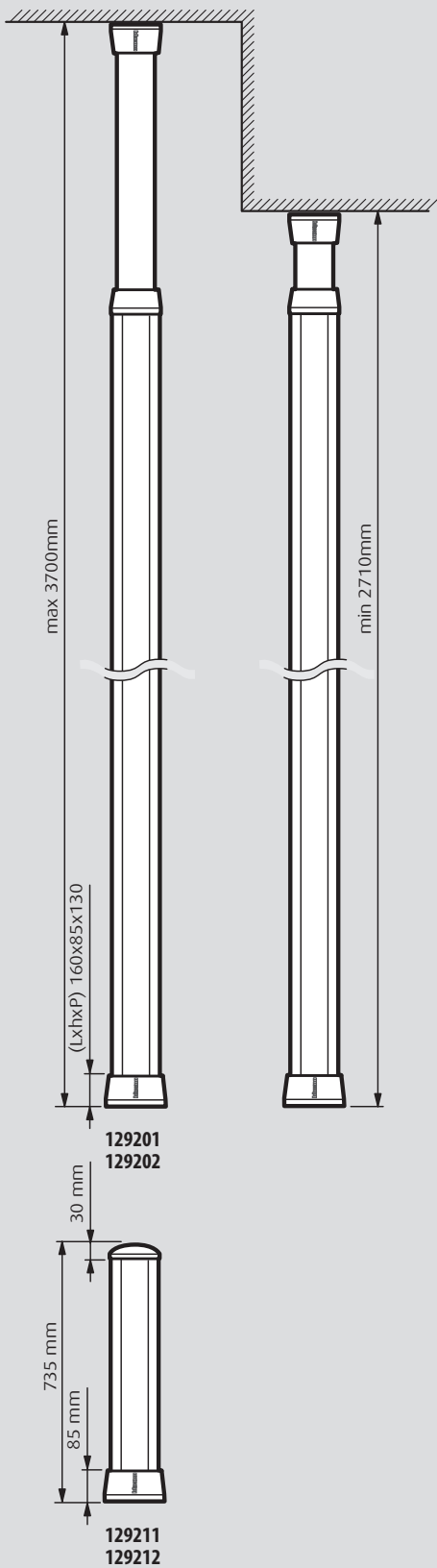
Slim column base, 12-24 modules



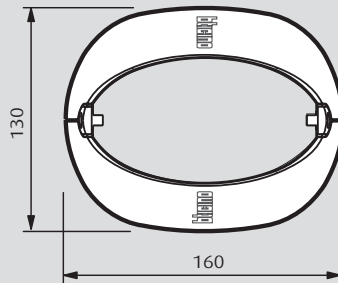
### NUMBER OF CABLES THAT CAN BE INSTALLED IN THE SLIM COLUMN

Section	Useful area	Number of conductors that can be installed			
		1.5 mm <sup>2</sup>	2.5 mm <sup>2</sup>	4 mm <sup>2</sup>	6 mm <sup>2</sup>
A	890 mm <sup>2</sup>	65	45	34	24

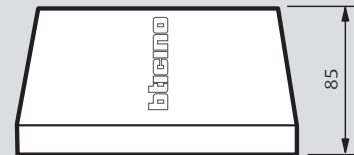
**SINGLE FACE COLUMNS AND MINICOLUMNS**



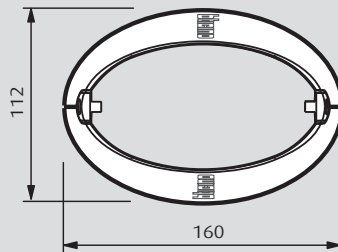
Column and minicolumn section



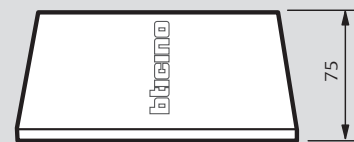
129242



Columns and minicolumn base



129241



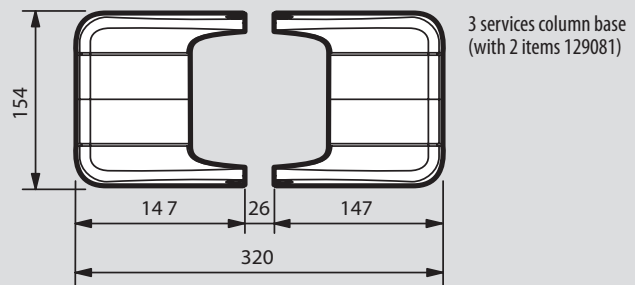
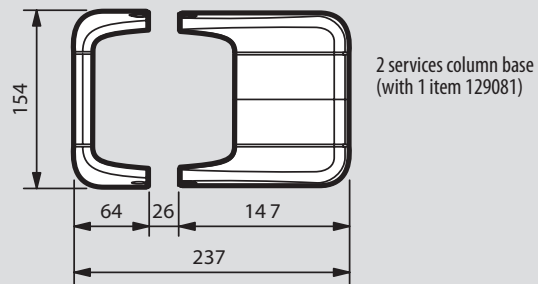
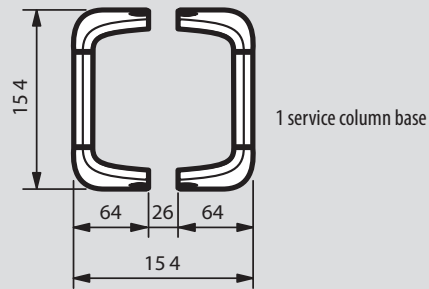
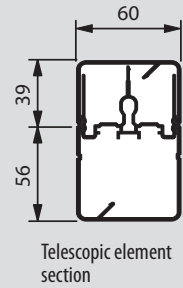
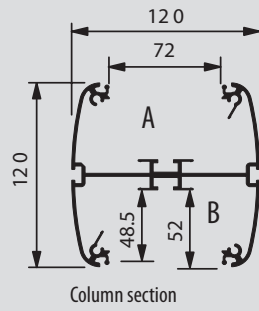
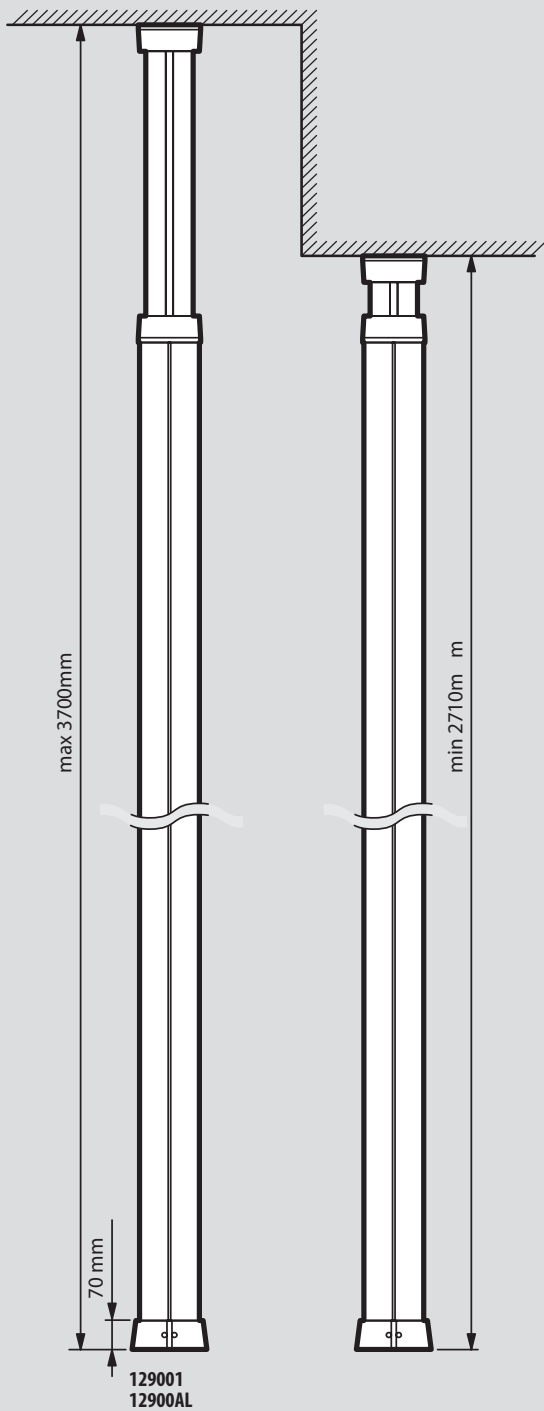
Columns and minicolumn base

**NUMBER OF CABLES THAT CAN BE INSTALLED IN COLUMNS AND MINICOLUMNS**

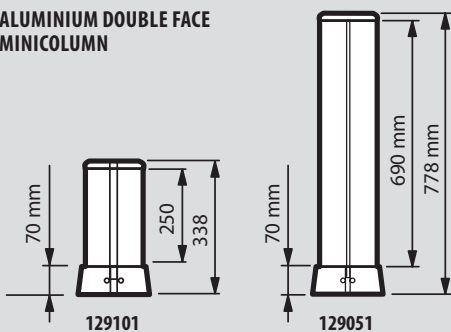
Compartment	Section	Number of conductors that can be installed			
		1.5 mm <sup>2</sup>	2.5 mm <sup>2</sup>	4 mm <sup>2</sup>	6 mm <sup>2</sup>
A	38 cm <sup>2</sup>	278	192	146	84

# DIMENSIONAL DATA

## DOUBLE FACE COLUMNS AND MINICOLUMNS



## ALUMINIUM DOUBLE FACE MINICOLUMN



## NUMBER OF CABLES THAT CAN BE INSTALLED IN COLUMNS AND MINICOLUMNS

Compartment	Section	Number of conductors that can be installed			
		1.5 mm <sup>2</sup>	2.5 mm <sup>2</sup>	4 mm <sup>2</sup>	6 mm <sup>2</sup>
A	45 cm <sup>2</sup>	328	226	172	98
B	45 cm <sup>2</sup>	328	226	172	98

## Installation mode

Single face columns and minicolumns are available with two different types of covers: CURVED or FLAT. The installation of civil series devices is possible using specific INTERLINK OFFICE cover plates and supports.

The use of accessories such as the partition and the installation box makes it possible to distribute up to two services (energy and data) inside columns and minicolumns.

### DIAGRAM OF FASTENING AND FINISHING COMPONENTS COLUMNS AND MINI COLUMNS

	129241	129242	129244	129245	129247
	Ceiling or floor fixing kit with end caps	Floor fixing kit for integration with the BTicino junction union with end caps	Anti-slip ceiling column fixing kit with end caps	Telescopic element fixing kit with end caps	Minicolumn end cap

Note: the cable input section is reduced by 25% when compared with the useful dimensions of the junction unions of the underfloor system.

#### INSTALLATION MODE OF COMPLETE COLUMNS

Thanks to the appropriate anti-slip seals, supplied as standard, the single face columns can be secured with expansion plugs, either to the ceiling, or to the floor. In this way, it is possible to protect particularly valuable ceilings or floors. The pack includes all the components required for the installation.

#### FIXING OF COMPLETE COLUMN

	FLOOR	CEILING
Fixing using expansion plugs	Yes	OPTIONAL
	OPTIONAL	Yes

(the kit is supplied complete with the floor fastening kit, for integration with the BTicino underfloor unit, item 129242)

#### INSTALLATION MODE OF COMPLETE MINICOLUMNS

The pack includes all the components required for the minicolumn installation. The height of minicolumns has been devised for installation of 5 x 4 Interlink Office place supports (item 120034 and 120035). The installation to be completed with the specific front cover plate.

#### FIXING OF COMPLETE MINICOLUMN

	FLOOR
Fixing using expansion plugs	Yes

(the kit is supplied complete with the floor fastening kit, for integration with the BTicino underfloor unit, item 129242)

#### INSTALLATION MODE OF MODULAR COLUMNS

The installation can be completed using expansion plugs, on the ceiling, or in alternative on the floor. The fixing kit must be purchased separately (not included in the pack).

#### MODULAR COLUMN FIXING

	FLOOR		CEILING	
	Item	Fixing with plugs	Item	Fixing with plugs
With telescopic element	129241/129242	Yes	129245	Optional
	129241/129242	Optional	129245	Yes
Without telescopic element	129241/129242	Yes	129241	Yes
	129241/129242	Yes	129244	No

#### INSTALLATION MODE OF MODULAR MINICOLUMNS

Minicolumns can reach a maximum height of 1000 mm, and are obtained by cutting a modular column at the desired height. The floor installation elements are the same as those of the columns. The end cap completes the installation of the column. The fixing kit must be purchased separately (not included in the pack).

#### MODULAR MINICOLUMN FIXING

FLOOR		END CAP
Item	Fixing with plugs	Item
129241	Yes	129247
129242	Yes	129247

# LAMP FOR COLUMN



Item	LAMP FOR ON-OFF COLUMN
129501	White colour lamp, on-off version
129505	Aluminium colour lamp, on-off version
129511	Anthracite colour lamp, on-off version
1-10V DIMMER COLUMN LAMP	
129502	White colour lamp, dimmer version
129506	Aluminium colour lamp, dimmer version
129512	Anthracite colour lamp, dimmer version
LAMP FOR COLUMN WITH SENSOR	
129503	White colour lamp with movement and brightness sensor
129507	Aluminium colour lamp with movement and brightness sensor
129513	Anthracite colour lamp with movement and brightness sensor

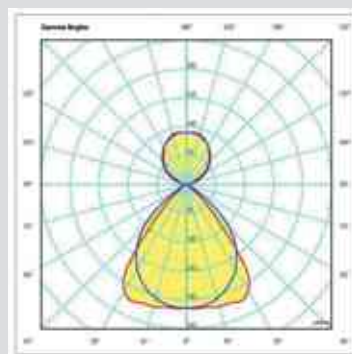
**NOTE:** for single and double face column

## TECHNICAL FEATURES

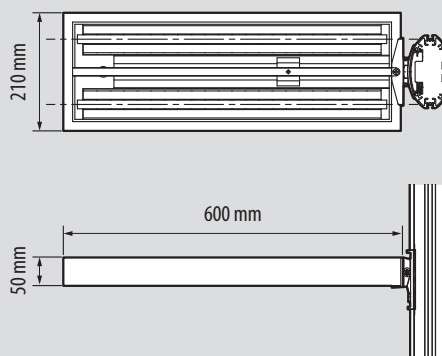
Lamp: 2 x T5 24W

Weight: 3.5kg

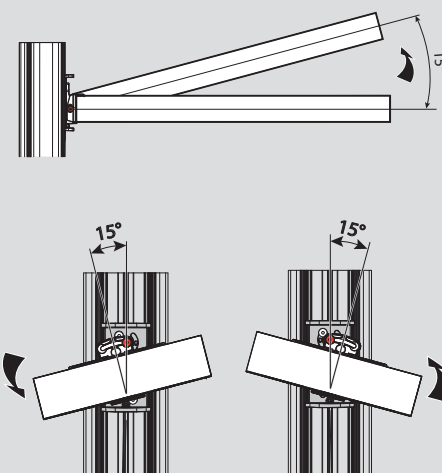
Photometric curve:



## DIMENSIONAL DATA

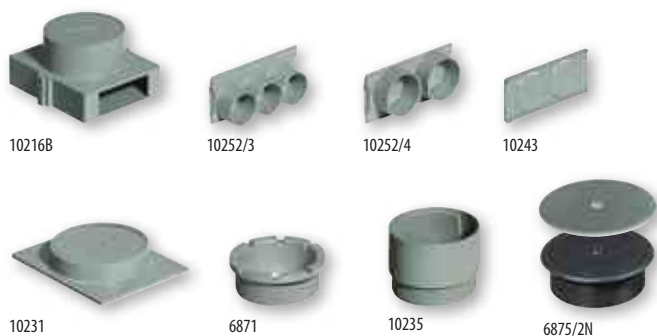


## ADJUSTABLE IN RELATION TO THE HORIZONTAL AND THE VERTICAL AXES





# ACCESSORIES FOR TOWERS, COLUMNS AND MINICOLUMNS



Item	JUNCTION COMPONENTS AND SIDE PANELS
<b>10216B</b>	junction component and tower junction
<b>10216BS</b>	X-shaped junction component with tower union
<b>10252/3</b>	side panel with cut-outs for Ø 25 mm tube
<b>10252/4</b>	side panel with cut-outs for Ø 32 mm tube
<b>10242</b>	side panel for Ø 25 mm tube
<b>10243</b>	side panel with cut-out for Ø 32 mm tube
<b>10231</b>	Ø 7 mm resin junction union for fixing the towers to raised floors using the ring nut item 6871 and 6871/1, h 15 mm
<b>10232</b>	Ø 7 mm resin junction union for fixing the towers to raised floors using the ring nut item 6871 and 6871/1, h 30 mm
<b>10233</b>	Ø 7 mm resin junction union for fixing the towers to raised floors using the ring nut item 6871 and 6871/1, h 50 mm

## RESIN RING NUTS WITH GASKETS

Resin ring nuts with gaskets for fixing all types of INTERLINK OFFICE towers and columns to the union joints of the junction elements

<b>6871</b>	Ø 70 mm - h = 32 mm
<b>6871/1</b>	Ø 70 mm - h = 50 mm

## EXTENSION SLEEVE FOR JUNCTION UNION

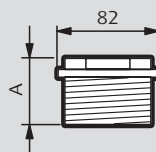
<b>10235</b>	Ø 70 mm - h = 40 mm for junction union extension
--------------	--

## FINISHING CAPS

Resin finishing caps, for a seal flush with the floor, inspectionable. With IP52 seals - for 70 mm diam. junction unions not used for towers - metal finishing dish

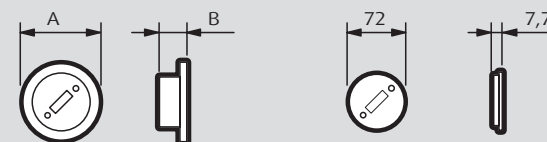
<b>6875/1N</b>	cap without metal disc
<b>6875/2N</b>	cap with brushed steel disc
<b>6875/3N</b>	cap with brass disc

## FIXING RING NUTS



Item	A mm
<b>6871</b>	32
<b>6871/1</b>	50

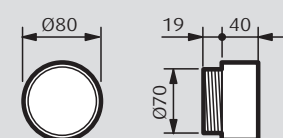
## CAPS



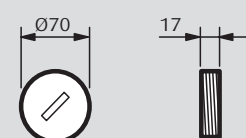
Item	A mm	B mm
<b>6875/1N</b>	87	27
<b>6875/2N</b>	90	28
<b>6875/3N</b>	90	28

Internal inspectionable cap  
6875/1N  
6875/2N  
6875/3N

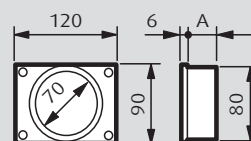
## EXTENSION JOINING SLEEVE



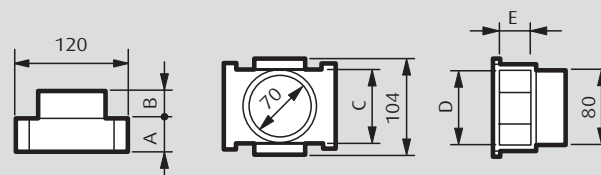
## JUNCTION UNION CAP



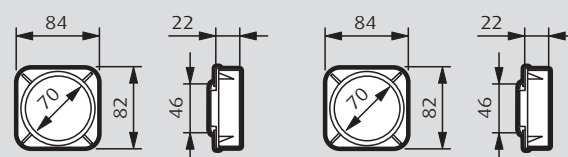
## 1 SERVICE ELEMENTS FOR TOWER FIXING AND JOINTS



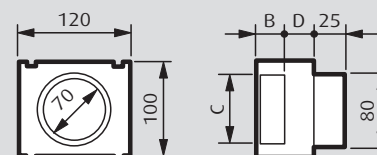
Item	A (mm)
<b>10231</b>	15
<b>10232</b>	30
<b>10233</b>	50



Item	A (mm)	B (mm)	C (mm)	D (mm)	E (mm)
<b>10216B</b>	30	35	93	60	25

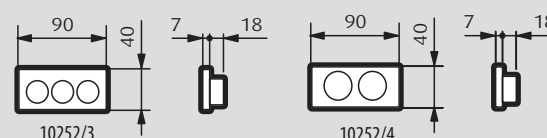


10220




















Item	A (mm)	B (mm)	C (mm)	D (mm)	E (mm)
<b>10226BS</b>	20	32	85	17	55

## ADAPTER SIDE PANELS



# COVER PLATES AND SUPPORTS

		COVER PLATES AND SPECIFIC SUPPORTS FOR INTERLINK				
		LIVINGLIGHT				
	No. of mod.	Installation boxes	Device holder support	Anthracite	White	Tech
<b>DOUBLE FACE AND SINGLE FACE WITH FLAT COVER</b> 	2	 <b>120006</b> (support)	 <b>LN4702</b>	 <b>LNA4802AR</b>	 <b>LNA4802BI</b>	 <b>LNA4802TE</b>
		 <b>120022</b> (optional)	 <b>120032</b>	 <b>120042GR</b>	 <b>120042BA</b>	 <b>120042TH</b>
	3	 <b>120023</b>	 <b>LN4703</b>	 <b>LNA4803AR</b>	 <b>LNA4803BI</b>	 <b>LNA4803TE</b>
		 <b>120048</b>	 <b>LN4704</b>	 <b>LNA4804AR</b>	 <b>LNA4804BI</b>	 <b>LNA4804TE</b>
	4	 <b>120024</b> (optional)	 <b>120034</b>	 <b>120044GR</b>	 <b>120044BA</b>	 <b>120044TH</b>
		 <b>120026</b>	 <b>LN4707</b>	 <b>LNA4807AR</b>	 <b>LNA4807BI</b>	 <b>LNA4807TE</b>
<b>WALL MOUNTED TRUNKING</b> 	6/7	 <b>120026</b>	 <b>LN4707</b>	 <b>LNA4807AR</b>	 <b>LNA4807BI</b>	 <b>LNA4807TE</b>
	<b>SINGLE FACE WITH CURVED COVER</b> 	2	 <b>120022</b> (optional)	 <b>120032</b>	 <b>W11119GR</b>	 <b>W11119</b>
4		 <b>120024</b> (optional)	 <b>120034</b>	 <b>W11120GR</b>	 <b>W11120</b>	 <b>W11120TH</b>

\* Complete the code with the abbreviation corresponding to the desired colour. See MÀTIX, MAGIC and LUNA catalogue

COVER PLATES AND SUPPORTS

MÀTIX		MAGIC			LUNA	
Device holder support	Cover plates*	MAGIC* cover plates	Device holder support	Cover plates*	Device holder support	Cover plates*
 500SM2A   500S/23A	 AM4802...   AM4819...	 503/23A/...			 C4719	 C4819
 503SA	 AM4803...	 503/...A/...	 503R	 503/...	 C4703	 C4803...
 504SA	 AM4804...	 504/4A/R	 504S	 504/4/...	 C4704	 C4804...
 120035	 120045BA	 120045AV				
 506LSA	 AM4806...	 506L/6A/...	 506LS	 506L/6/...		
 120035	 123045BA  123045TH	 123045AV				

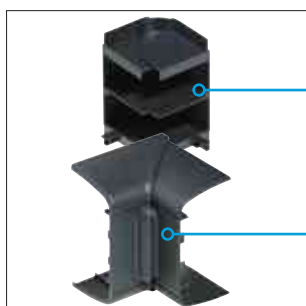
# WALL MOUNTED DISTRIBUTION

## PVC trunking, 120x60 mm and 200x60 mm



Cable fastener  
120010

Linear partition  
120009

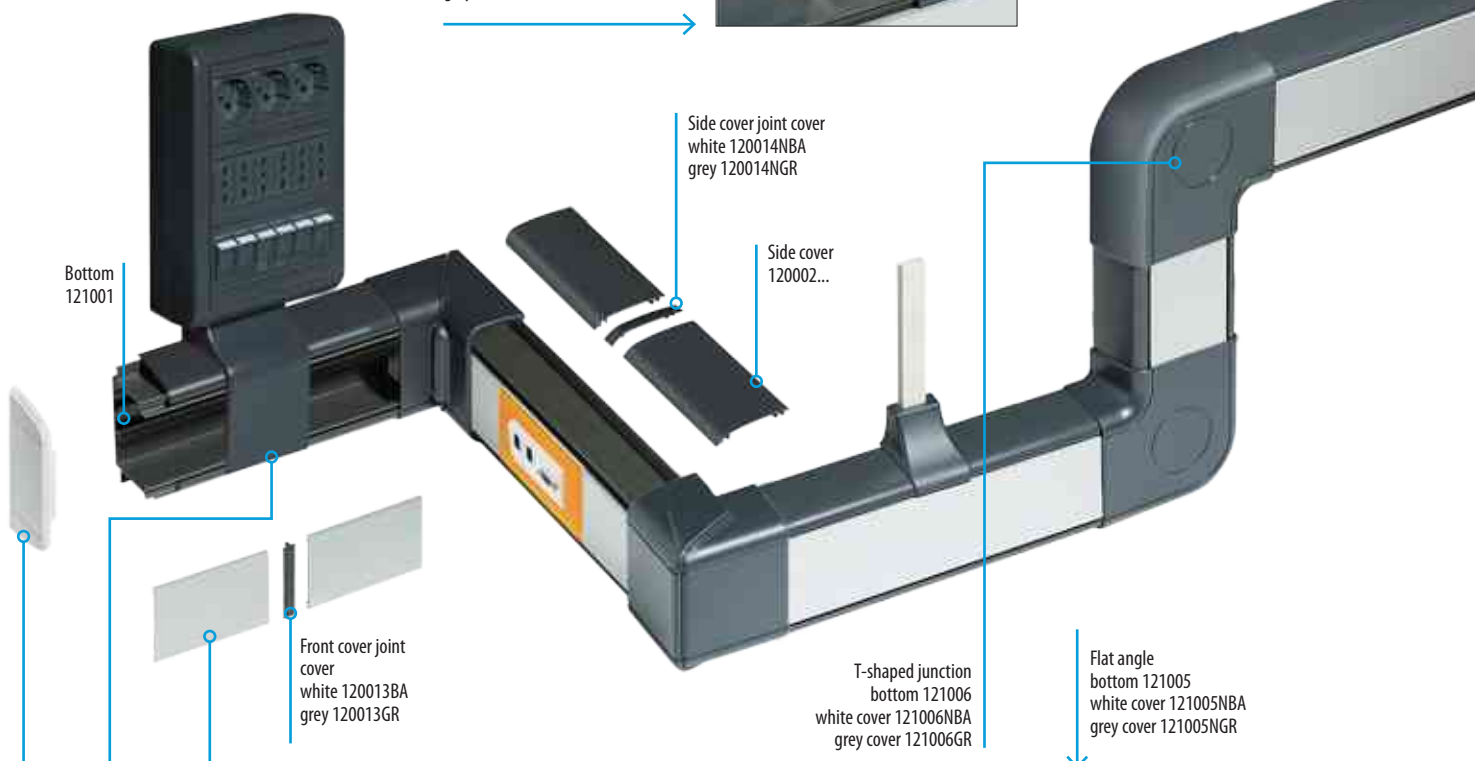


Bottom

Cover

Variable internal angle bottom  
121003  
white cover 121003NBA  
grey cover 121003NGR

Mini trunking distribution  
white 120012BA  
grey 120012GR



Bottom  
121001

Side cover joint cover  
white 120014NBA  
grey 120014NGR

Side cover  
120002...

Front cover joint cover  
white 120013BA  
grey 120013GR

Front cover  
120001...

Distribution for white  
multifunction switchboard  
120015BA  
grey 120015GR

End cap  
white 121002BA  
grey 121002GR

T-shaped junction  
bottom 121006  
white cover 121006NBA  
grey cover 121006GR

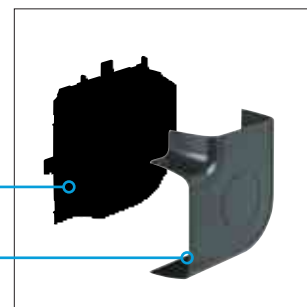
Flat angle  
bottom 121005  
white cover 121005NBA  
grey cover 121005NGR



Variable internal angle bottom  
121004  
white cover 121004NBA  
grey cover 121004NGR

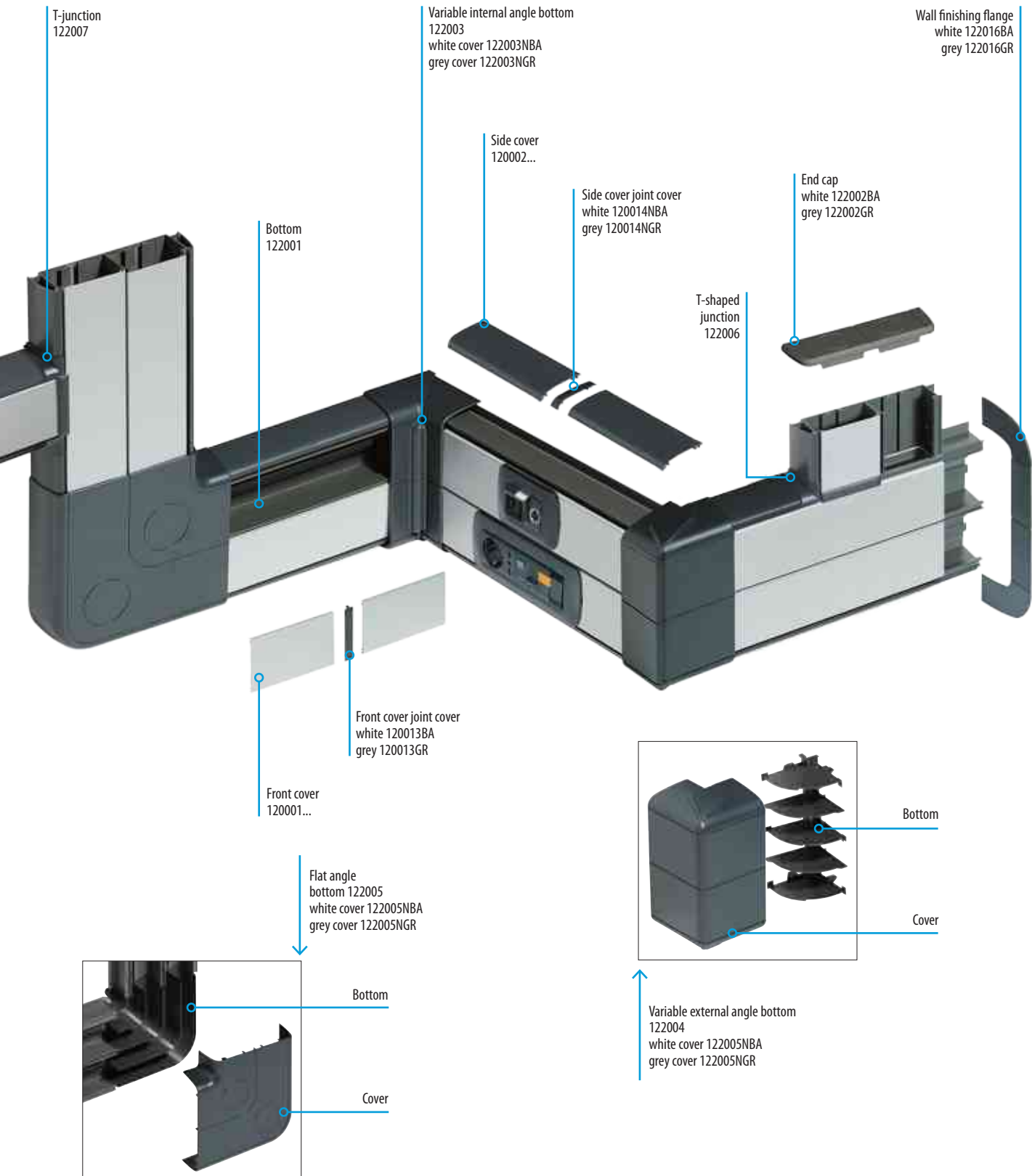
Bottom

Cover



Bottom









Cover











# WALL MOUNTED DISTRIBUTION

## PVC trunking, 120x60 mm and 200x60 mm





### PVC TRUNKING 120x60 mm AND 200x60 mm FOR WALL DISTRIBUTION

				Trunking bottom (2 m)	Front cover (2 m)	Side cover (2 m)	Distribution for mini trunking
							
Section (mm)	Number of compartment- s		Type of trunking				
120x60	MIN - 1 MAX - 2		to be completed with covers	121001 121101 (aluminium)	120001...	120002...	120012BA 120012GR
			T60 with covers	121001BA 121001GR	- -	- -	- -
	200x60	MIN - 2 MAX - 4		to be completed with covers	122001	120001...	120002...
			T60 with covers	122001BA 122001GR	- -	- -	- -




### PVC TRUNKING 120x60 mm AND 200x60 mm FOR WALL MOUNTED DISTRIBUTION

				Bottom T-shaped junction	Covers T-shaped junction <sup>(3)</sup>	Bottom X-shaped junction <sup>(2)</sup>	Covers X-shaped junction <sup>(3)</sup>
							
Section (mm)	Number of compartment- s		Type of trunking				
120x60	MIN - 1 MAX - 2		to be completed with covers	121006 <sup>(2)</sup>	121006NBA 121006NGR	121107	121107NBA 121107NGR
			T60 with covers				
200x60	MIN - 2 MAX - 4		to be completed with covers	122006/122007 <sup>(1)</sup>	-	-	-
			T60 with covers	122006+122006/122BA 122007+122007/121BA <sup>(1)</sup> 122006+122006/122GR 122007+122007/121GR <sup>(1)</sup>	- - -	- - -	- - -

### FRONT AND SIDE FINISHING COVERS <sup>(4)</sup>

	Bright white finish	Red finish	Aluminium finish	Grey finish
				
Front cover	120001BA	120001RS	120001AL	120001GR
Side cover	120002BA	120002RS	120002AL	120002GR

### WALL MOUNTED MULTIFUNCTION SWITCHBOARDS

Series of 15 modules MÁTIX White	Series of 18 modules LIGHT White	Series of 18 modules LIVING anthracite grey	Series of 10 modules DIN White	Series of 10 modules DIN Anthracite grey
				
150415MG	150418BA	150418GR	150421BA	150421GR

Distribution for multi-function switchboard	Variable internal angle bottom <sup>(2)</sup>	Internal angle covers <sup>(3)</sup>	Variable external angle bottom <sup>(2)</sup>	External angle covers <sup>(3)</sup>	Flat angle bottom <sup>(2)</sup>	Flat angle covers <sup>(3)</sup>
120015BA 120015GR - -	121003	121003NBA 121003NGR	121004	121004NBA 121004NGR	121005	121005NBA 121005NGR
120015BA 120015GR - -	122003	122003NBA 122003NGR	122004	122004NBA 122004NGR	122005	122005NBA 122005NGR

End cap	Front cover joint cover	Side cover joint cover	Wall crossing finishing surround frame	Linear partition	Cable fastener	Junction box 300x300 mm
121002BA 121002GR	120013BA 120013GR	120014NBA 120014NGR	120016BA 120016GR	120009	120010	122008BA 122008GR
122002BA 122002GR	120013BA 120013GR	120014NBA 120014NGR	122016BA 122016GR	120009	120010	122008BA 122008GR

	White ash finish	Veined black finish	Swiss pear finish
Front cover	120001FB	120001NO	120001PS
Side cover	120002FB	120002NO	120002PS

**Notes:** path elements (angles and joints) must be completed with the specific white or grey finishing items.

Note: The photos in the table are only indicative.

(1) The composition depends on the channel to join:

a. item. 122006 T joint between a 200x60 mm channel and a 200x60 mm channel;

for installation on T60 channels, the item codes must be completed with the finishing elements: white finishing element, item 12206/122BA, grey finishing element, item 12206/122GR

a. item. 122007 T joint between a 200x60 mm channel and a 120x60 mm channel (only for use with item 12201);

for installation on T60 channels, the item codes must be completed with the finishing elements: white finishing element, item 12207/121BA, grey finishing element, item 12207/121GR

(2) junction bottoms must be completed with the dedicated covering elements

(3) covering elements to be used with dedicated bottoms. White finish item ...NBA, grey finish item ...NGR

(4) PVC finishing covers for trunking - not usable in T60 channels - length 2 m

# TRUNKING FEATURES

## INTERLINK OFFICE

Trunking systems have the following features:

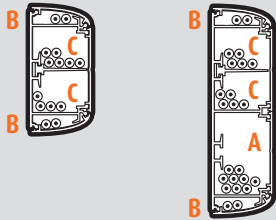
- protection index IP40;
- impact strength; 2 Joule (PVC);
- removal of the accessories using specific tools;
- use of the channel as cable and device holder;
- the aluminium channel is not intended to be used as protection conductor.

Trunking in compliance with the standard:

- CEI EN 50085-2-1 series

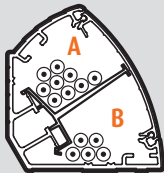
During the installation of the trunking consider that for the compartment used to house the energy cable a 50% filling coefficient in accordance with CEI 64-8 must be applied.

### NUMBER OF CABLES THAT CAN BE INSTALLED IN WALL MOUNTED TRUNKING

Type of trunking	Profile	Compartment	Section	Number of conductors that can be installed			
				1.5 mm <sup>2</sup>	2.5 mm <sup>2</sup>	4 mm <sup>2</sup>	6 mm <sup>2</sup>
PVC 120x60 mm and 200x60 mm Aluminium 120x60 mm		A	38	278	192	146	84
		B	3.6	26	18	13	7
		C	16.5	120	84	64	36

NOTE: linear impedance for aluminium trunkings: 0.02 Ω/m

### NUMBER OF CABLES THAT CAN BE INSTALLED IN THE WORKSTATION AND ANGULAR TRUNKING

Type of trunking	Profile	Compartment	Section	Number of conductors that can be installed			
				1.5 mm <sup>2</sup>	2.5 mm <sup>2</sup>	4 mm <sup>2</sup>	6 mm <sup>2</sup>
PVC and aluminium workstation		A	16.6	118	86	58	42
		B	17.8	127	92	62	45

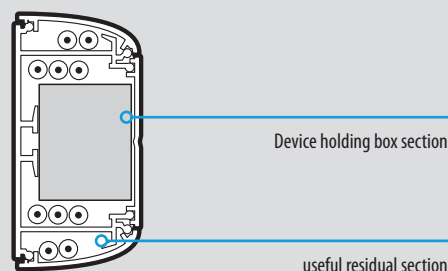
NOTE: linear impedance for aluminium trunkings: 0.02 Ω/m



### NUMBER OF CABLES THAT CAN BE INSTALLED IN WALL MOUNTED TRUNKING WITH DEVICE HOLDING BOXES AND ACCESSORIES

The indications of the table below refer to the installation in the different device holding boxes in the compartment, with sizes 120x60 mm of the PVC and aluminium trunking. There are no indications on the residual section of the bottom compartment of the bell trunking because:

- the compartment has been sized to be used mainly for the installation of lamp older boxes. The compartment should not be used for housing many cables (use as cable trunking);
- The space requirements of the device holding boxes installed inside the compartment have, however, a marginal impact on its total section. The residual space allows the containment of the cables of any equipment installed (IR receivers, smoke detectors, etc.).



**TABLE FOR DETERMINING THE NUMBER OF CONDUCTORS THAT CAN BE INSTALLED INSIDE THE TRUNKING, IN RELATION TO THE SPACE REQUIREMENTS OF THE DEVICE HOLDING ACCESSORIES INSTALLED**

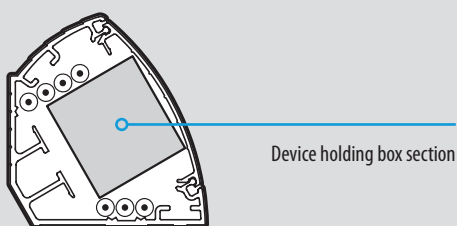
Accessory item	Box size (cm <sup>2</sup> )	Useful residual section (cm <sup>2</sup> )	residual section %	Number of conductors that can be installed in the trunking			
				1.5 mm <sup>2</sup>	2.5 mm <sup>2</sup>	4 mm <sup>2</sup>	6 mm <sup>2</sup>
120023	28.8	9.2	24	67	46	35	20
120048	28.8	9.2	24	67	46	35	20
120022	25.4	12.6	33	92	64	48	27
120024	25.4	12.6	33	92	64	48	27
120006	22.7	15.3	40	112	77	59	34

### NUMBER OF CABLES THAT CAN BE INSTALLED IN THE WORKSTATION AND ANGULAR TRUNKING WITH DEVICE HOLDER ACCESSORIES AND BOXES

The indications in the following table give the possibility of calculating the quantity of cable that can be installed in the workstation trunking once the different device holder boxes are installed.

Also indicated is the quantity of cable that can be fitted in the 80x80 mm trunking if the lamp holder is installed.

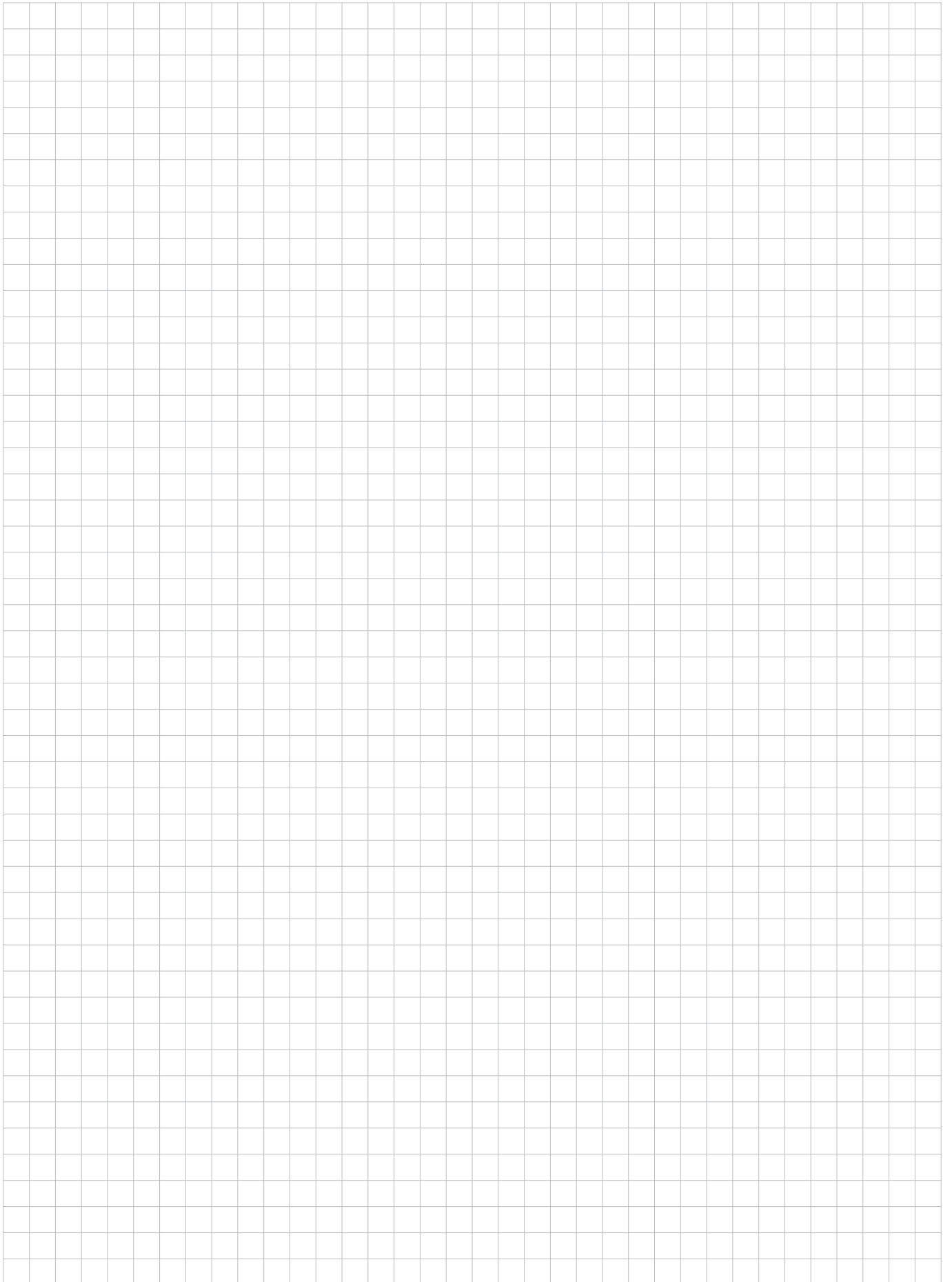
#### WORKSTATION



**TABLE FOR DETERMINING THE NUMBER OF CONDUCTORS THAT CAN BE INSTALLED INSIDE THE WORKSTATION TRUNKING, IN RELATION TO THE SPACE REQUIREMENTS OF THE DEVICE HOLDING ACCESSORIES INSTALLED**

Accessory item	Box size (cm <sup>2</sup> )	Residual section (%)	Number of conductors that can be installed in the trunking			
			1.5 mm <sup>2</sup>	2.5 mm <sup>2</sup>	4 mm <sup>2</sup>	6 mm <sup>2</sup>
120022	25.4	37	107	78	52	38
120024	25.4	37	107	78	52	38

## NOTES





**BTicino** SpA  
Viale Borri, 231  
21100 Varese - Italy  
[www.bticino.com](http://www.bticino.com)