

WORKSHOP SPECIFICATIONS

DISTRIBUTION CABINETS
XL³ 160



THE GLOBAL SPECIALIST IN ELECTRICAL
AND DIGITAL BUILDING INFRASTRUCTURES



XL³ 160 cabinets are “fully modular” cabinets, with 2 to 6 rows of 24 modules supplied ready to use (rails and faceplates fitted).

They are available in 3 versions:

- Class II insulated cabinets, with 2 to 6 rows
- Metal cabinets, with 2 to 6 rows
- Flush-mounting cabinets, with 3 to 6 rows

They can take, depending on the version, DPX³ 160, Vistop up to 160 A, single or three-phase blue tariff plates and a yellow tariff plate (French electricity tariffs).

XL³ 160 has been designed for ease of wiring and connection.

These cabinets provide, amongst other things, a large amount of space for wiring, wide connection areas (200 mm top and bottom faceplates), a removable chassis, clever solutions for cable feedthrough and fixing, screws that are common to the whole range ... all with a modern design and finish.

Contents

Class II insulated cabinets	2
Preparing the cabinets	4
Mounting devices	6
Wiring and connection	8
Installation and finishes	13
Vertical joining	16
Metal cabinets	18
Preparing the cabinets	20
Mounting devices	21
Wiring and connection	22
Installation and finishes	25
Flush-mounting cabinets	28
Preparing the cabinets	30
Flush-mounting	31
Mounting devices	32
Wiring and connection	33
Finishes	35
Distribution	36
Supply busbars, terminal blocks, distribution terminals and modular distribution blocks	36
Appendices	40
Accessories	42
Fitting the key barrels	42
Dimensions	43

CLASS II INSULATED CABINETS

XL³ 160 insulated cabinets are cabinets with dimensions optimised for distribution up to 160 A.

These cabinets are divided into:

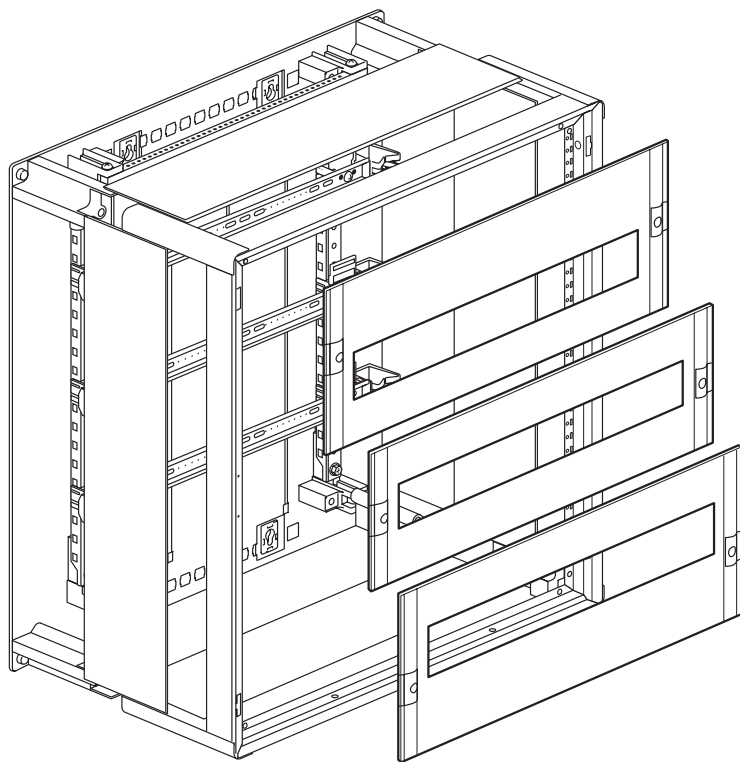
- "Fully modular" cabinets with 2 to 6 rows. These can take the DPX³ 160 and the Vistop 160 with no need for any accessories
- Cabinets with dedicated space and 3 or 4 modular rows, for integrating French electricity tariff kits.

XL³ 160 insulated cabinets have been designed to simplify wiring and connection:

- Side panels can be removed separately
 - Removable chassis
 - Frame can be dismantled
- XL³ 160 also offers original solutions for holding and running the wiring, a large working area and a high-quality finish.

SPECIFICATIONS

- Class II insulated cabinet ☐
- Rated peak withstand current I_{pk}: 20 kA
- IP 30, IP 40 with door and IP 43 with door and seal
- IK 04, IK 07 with door
- Conforming to standards IEC 61439-1 and IEC 61439-3
- Fireproof according to IEC 60695-2-1-750°C/5 s
- Suitable for installations in public buildings
- Can take devices up to 160 A
- Colour RAL 7035
- Supplied complete with rails and faceplates, wire guide rings for vertical wiring and terminal block for protective conductors.



	"FULLY MODULAR" CABINETS					CABINETS WITH DEDICATED SPACE FRENCH ELECTRICITY TARIFF		
Cabinet Cat.Nos	4 018 02	4 018 03	4 018 04	4 018 05	4 018 06	4 018 15	4 018 16	
External height (mm)	450	600	750	900	1050	900	1050	
Number of modular rows	2	3	4	5	6	3	4	
Number of modules	48	72	96	120	144	72	96	
Curved doors	Solid	0 202 52	0 202 53	0 202 54	0 202 55	0 202 56	0 202 55	0 202 56
	Glass	0 202 62	0 202 63	0 202 64	0 202 65	0 202 66	0 202 65	0 202 66
Flat door	Solid	0 202 72	0 202 73	0 202 74	0 202 75	0 202 76	0 202 75	0 202 76
	Glass	0 202 82	0 202 83	0 202 84	0 202 85	0 202 86	0 202 85	0 202 86

CLASS II INSULATED CABINETS

PREPARING THE CABINETS

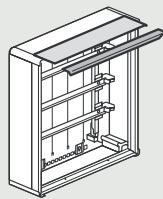
XL³ 160 insulated cabinets are supplied fitted with U-rails on a removable chassis, faceplates, wire guide rings for vertical wiring, and a brass collector for connecting protective conductors. The cardboard packaging can be re-used for delivery to the site.



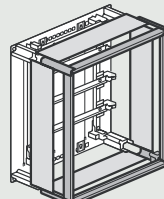
XL ³ 160 (COLLECTOR TYPE)			
Housing	Plastic	Flush-mtg	Metal
France	Auto	Screw-in	Screw-in



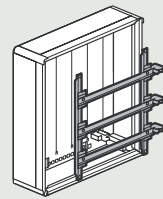
XL³ 160 offers you three possibilities, to suit your preferred way of working:



Removing the side panels individually



Removing the faceplate support frame and the side panels

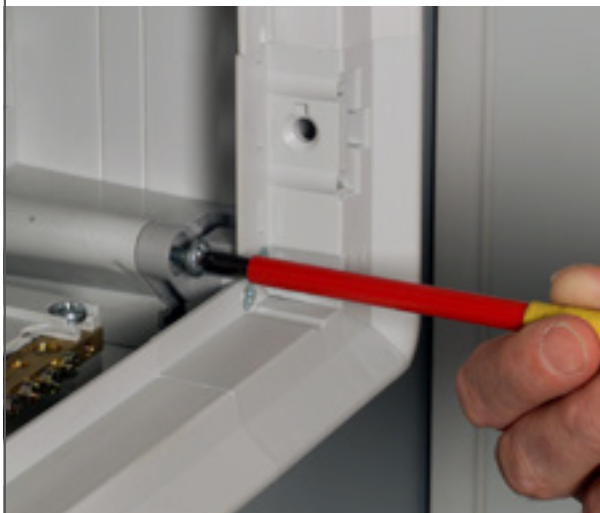


Removing the chassis

1

WIRING AT THE BACK OF THE CABINET

To obtain maximum access for wiring, XL³ 160 cabinets can be completely dismantled. Simply remove the faceplate support frame and all the side panels.



After removing the top and bottom faceplates, unscrew the 4 faceplate frame retaining screws



After completely removing the frame and the side panels, there is full access for wiring

It is also possible to remove the side panels independently. In this case, it is not necessary to remove the faceplate support frame. Simply unscrew the side panel retaining screws.



Each side panel is held in place by 2 screws

2 WIRING ON CHASSIS ONLY

The chassis can be removed from the cabinet so that the wiring can be carried out in the workshop if the cabinet is already installed on site.



With the faceplates removed, the chassis can be removed from the cabinet after unscrewing the 4 retaining screws



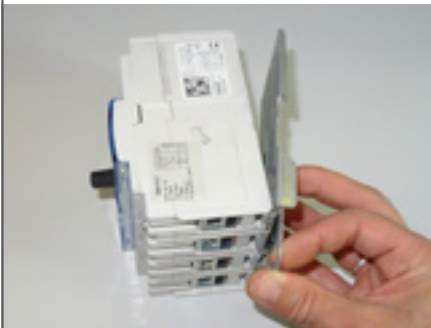
It is very easy to work on the chassis when it is removed from the cabinet

MOUNTING THE DEVICES

1 MOUNTING DPX³

■ DPX³ 160

Is mounted on an omega rail or on a plate in XL³ cabinets and enclosures. A height spacer (Cat.No 4 052 26) can be added in order to mount modular devices.



Mounting with a plate



Mounting with a plate on the chassis by removing the plastic rail support

2 MOUNTING VISTOP 63 TO 160 A

Vistops with side handle are supplied with the accessories required for locating the handle on the outside of the enclosure.



A template is provided for drilling the side panel



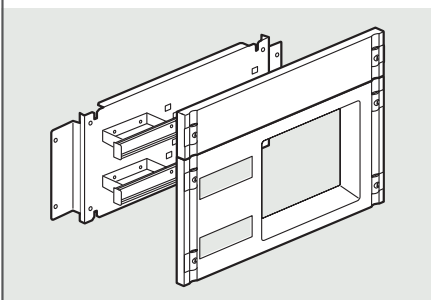
Vistops with front handle are supplied with the accessories required for locating the handle on the outside of the enclosure.

3 FITTING FRENCH ELECTRICITY TARIFF KITS

Cabinets with dedicated space, Cat.Nos 4 018 15 and 4 018 16 can take all French electricity tariff connection solutions using kits Cat.Nos 0 202 30 and 0 202 31. Kit Cat.No 0 202 30 has two 2 x 8 module rails to optimise the space when installing modular devices next to the incoming MCB.



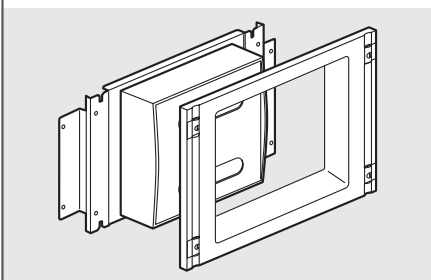
The plates are fixed on the chassis uprights:
 - 4th and 14th holes for kit Cat.No 0 202 30
 - 1st and 13th holes for kit Cat.No 0 202 31



Kit Cat.No 0 202 30 for subscriber MCB only (single phase 90 A or three-phase 60 A) with plates Cat.Nos 4 011 82/91, or subscriber MCB + Linky-compatible single phase meter Cat.No 4 011 81

SUITABLE DOORS ACCORDING TO THE CONFIGURATION

Kit + plate	Flat doors	Curved doors	
	solid	solid	glass
0 202 30 + 4 011 81/82/91	●	●	●
0 202 31		●	●




Kit Cat.No 0 202 31 supplied with connection plate for subscriber MCB + Linky-compatible single phase meter

WIRING AND CONNECTION

1 WIRING

■ Guide rings

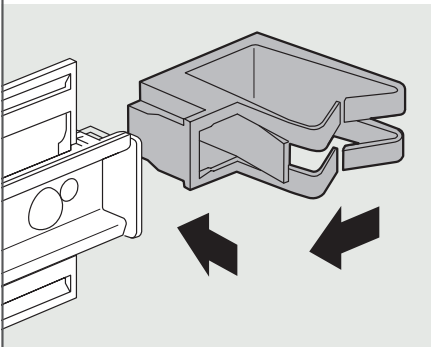
XL³ 160 cabinets are equipped with guide rings for vertical wiring (1 per row). These rings can be mounted on the right or left. They simply clip onto the isolating supports of the  rails.



Holding vertical wiring in place



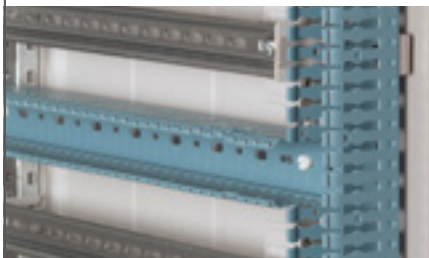
Fitting a guide ring for horizontal wiring



Insert the ring on the side of the support then push it towards the back

■ Lina 25™ ducting

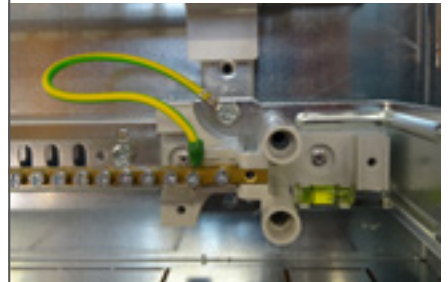
Supports Cat.No 200 70 are used for installing Lina 25 vertical ducting (40x60). The supports clip on in the same way as the vertical wiring guide rings. The ducting is fixed using the isolating rivets provided.



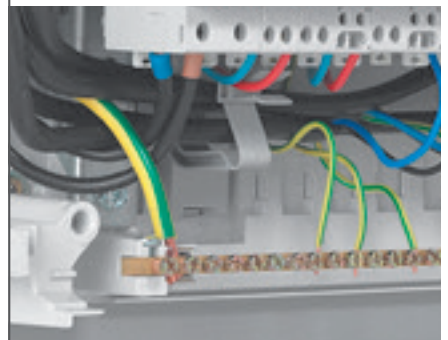
XL³ 160 cabinets also take Lina 25 horizontal ducting: use isolating screws Cat.No 0 367 74 to fix the horizontal ducting (40 x 60) directly on the uprights

2 PROTECTIVE CONDUCTORS

The cabinet chassis can be connected to ground using the threaded holes.



XL³ 160 cabinets are supplied with a brass bar for protective conductors with 2 x 35 mm² holes and 36 x 10 mm² holes. As the cabinet is reversible, the bar can be placed at the top or the bottom.



Bar for protective conductors pre-installed in XL³ 160 cabinets

3 IP 2X DISTRIBUTION TERMINAL BLOCKS

A second bar Cat.No 373 00 can be installed either on the integrated supports, or on the guide rings Cat.No 0 200 94.



Guide rings Cat.No 0 200 94 enable an additional brass bar Cat.No 0 373 00 to be installed between the rows

It is also possible to use IP 2X terminal blocks for protective conductors (see below).

Legrand IP 2X terminal blocks are installed on 12 x 2 flat bars Cat.No 0 048 19, fixed either on the integrated isolating supports, or on supports Cat.No 0 200 50. The slots provided at the back of the cabinet allow these bars to be installed horizontally or vertically, on the right or the left.



Screw the supports Cat.No 0 200 50 to the back of the cabinets



Horizontal terminal block



Vertical terminal blocks

CLASS II INSULATED CABINETS

4 DISTRIBUTION SYSTEM: XL³ 160 CABINETS CAN TAKE VARIOUS HORIZONTAL AND VERTICAL DISTRIBUTION SYSTEMS

- Three-phase horizontal distribution using HX³ auto 4-pole supply busbar, ½ row (Cat.No 4 052 31). This model is supplied with fixing lugs for mounting on omega rail.

It has 3 x 4 phase outgoing lines + 8 neutral outgoing lines.



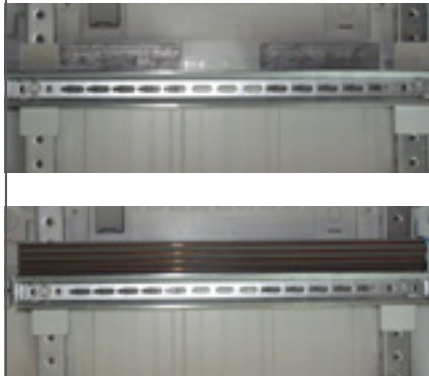
- Single phase vertical distribution using 63 A VX³ optimised supply busbar, for cabinets with 2, 3 and 4 rows.



- Three-phase vertical distribution using VX³ auto supply busbar available in 63 A (3, 4, 5 and 6 rows) or 125 A (4, 5 and 6 rows). These models are equipped with automatic output terminals.



- Three-phase horizontal distribution using 125 A HX³ plug-in supply busbar, 24 modules. For mounting in XL³ 160 cabinet, use accessory Cat.No 4 052 24.



CLASS II INSULATED CABINETS

5 INSERTING AND FIXING CABLES

The upper and lower side panels of the cabinet can be cut in order to insert cables. Two guidelines are marked to give the cutting heights for 50 and 65 mm ducting.



The side panels are easy to cut using a jigsaw

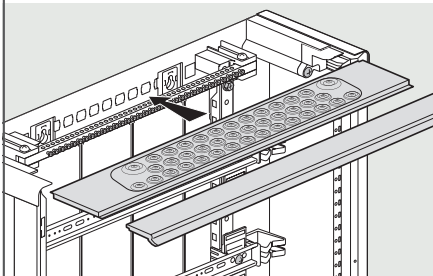
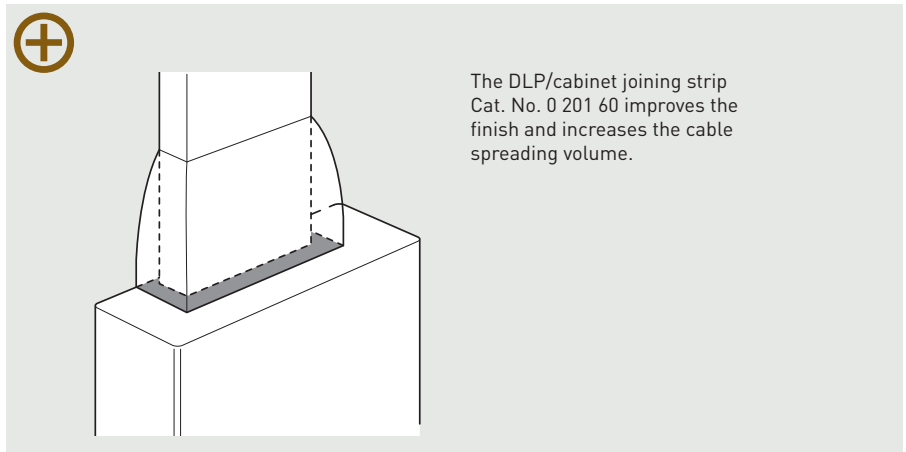


Plate Cat.No 0 200 71 with knockout cable entries can be installed in the place of an upper or lower side panel.



The DLP/cabinet joining strip Cat. No. 0 201 60 improves the finish and increases the cable spreading volume.

The cables can be fixed at the back of the cabinets using Colson cable ties.



Knocking out the feedthroughs



Anchoring the cables

INSTALLATION AND FINISHES

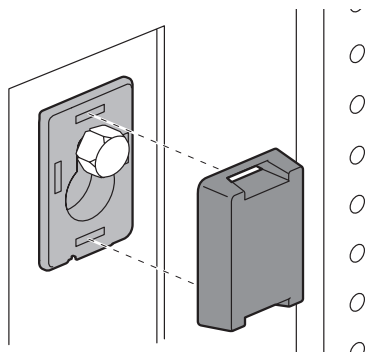
1 FIXING THE CABINETS

Internal fixings

Remove the isolating screw covers from the 4 internal fixing points on the cabinet, then knock out the keyhole-shaped holes. Fix the cabinet using four Ø 6 mm screws and washers.



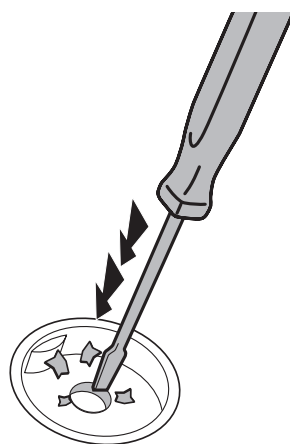
The keyhole shaped openings are used to attach and detach the cabinets



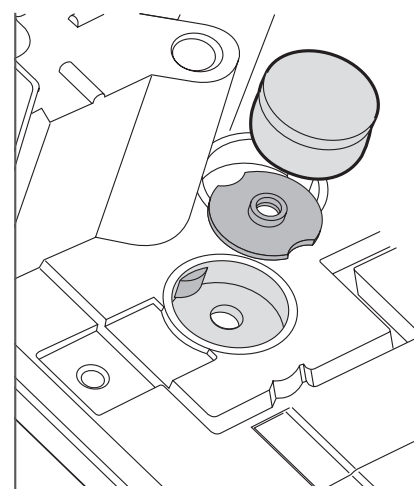
To comply with class II it is essential to put the isolating screw covers back in position

External fixings

Wall-mounting lugs Cat.No 0 201 50 can be installed in a horizontal or vertical position.



Knock out the holes corresponding to the position of the lugs



Place the special nut and the plastic cover in position then screw in the lug via the rear of the cabinet

Cabinet	INTERNAL AND EXTERNAL FIXING CENTRES			CABINET COMBINATION	
	A (mm)	B (mm)	C (mm)	Vertical Fixing centre (mm)	Horizontal Fixing centre (mm)
4 018 02	500	305	343	107	325
4 018 03	650	455	493	107	325
4 018 04	800	605	643	107	325
4 018 05/15	950	755	763	137	325
4 018 06/16	1100	905	943	107	325

CLASS II INSULATED CABINETS

2 FACEPLATES AND MARKING

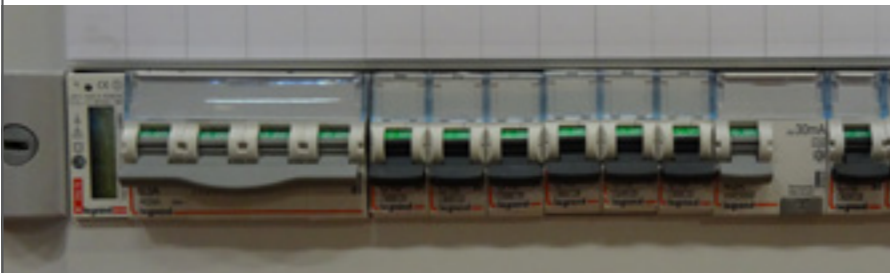
The faceplates are locked using a sealable 1/4 turn fastening.



The shape of the faceplates makes them easy to handle



Sealing the faceplate, in locked position



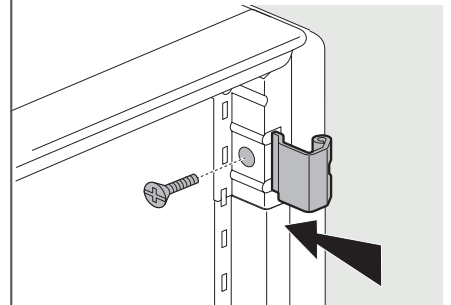
As well as the label-holders on all DIN rail equipment, a plastic marking strip is available as an accessory, supplied with sets of labels



The door pins are designed to be inserted and removed without a tool

3 FITTING THE DOORS

The doors can be fitted to open to the left or the right. Slots for the hinges and the door release are provided on both sides of the cabinet.



Remove the blanking plates then fit the hinges on the frame



The door release is fitted on the opposite side to the hinges using 2 screws



When fitting the handle, it is essential to fit the metal bracket so that the door locks correctly

4 ACHIEVING IP 43

IP 43 is achieved by fitting seal Cat.No 0 201 30 around the door.



The seal must be fitted to the bottom of the door

5 SIGNALLING AND CONTROL ACCESSORIES ON DOOR

For class II installations, the cables supplying the control and signalling units must be treated as class II, and attached and protected using a continuous insulated sheath to prevent them being pulled out and becoming accidentally detached. If the control voltage is greater than 50 V, the door must be connected using an equipotential link conductor, and the circuits supplying the control and signalling units protected with devices providing protection against indirect contact.



Osmoz control and signalling units have a plastic insulated body and the contact blocks provide IP 2X protection



A wide range of finishes and accessories:



All metal flat door



Glass flat door



All metal curved door



Glass curved door



Self-adhesive document holder
Cat.No 0 365 82

CLASS II INSULATED CABINETS

VERTICAL JOINING

Enclosures in the XL³ 160 range are not designed to be joined together, but can be combined vertically fairly simply.



Set of 2 joined cabinets, with meter and 3-phase incoming MCB at the supply end



Drill both sides at the same time (Ø 6.5 mm)



Cut the side panels to make the opening for inserting the wiring.



Refit the drilled and cut side panels, then replace the faceplate support frames

1 MOUNTING

Mark the cutting limits on the side panels of the cabinets to be joined together, and mark where the 4 holes are to be drilled.



Use the terminal block supports as marking guides.



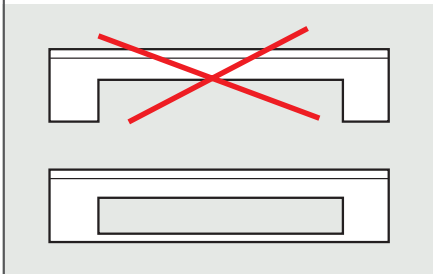
Place the 4 screws and 4 M6 nuts in position, but do not tighten them fully



Position the cabinets on their sides to align them perfectly, then carry out the final tightening

2 COMPLYING WITH CLASS II

If there are closed knockouts in the side panels, the cabinet is class II. If not, it is essential to create an insulated seal between the backs of the two cabinets.



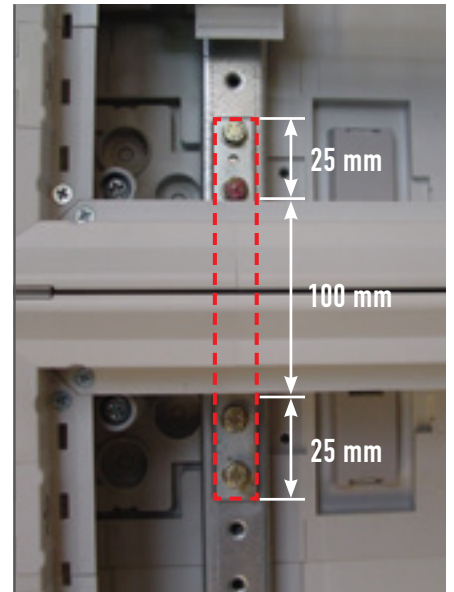
Space to be insulated with a seal on the rear of the cabinets

3 STRENGTHENING THE COMBINATION

The joined unit can be reinforced using 2 pieces of flat bar: width 20 mm, length 170 mm.



Eight M6 x 20 screws and 8 washers are required for fitting them on the cabinet uprights



Flat bars strengthen the combination, joining the 2 chassis

METAL CABINETS

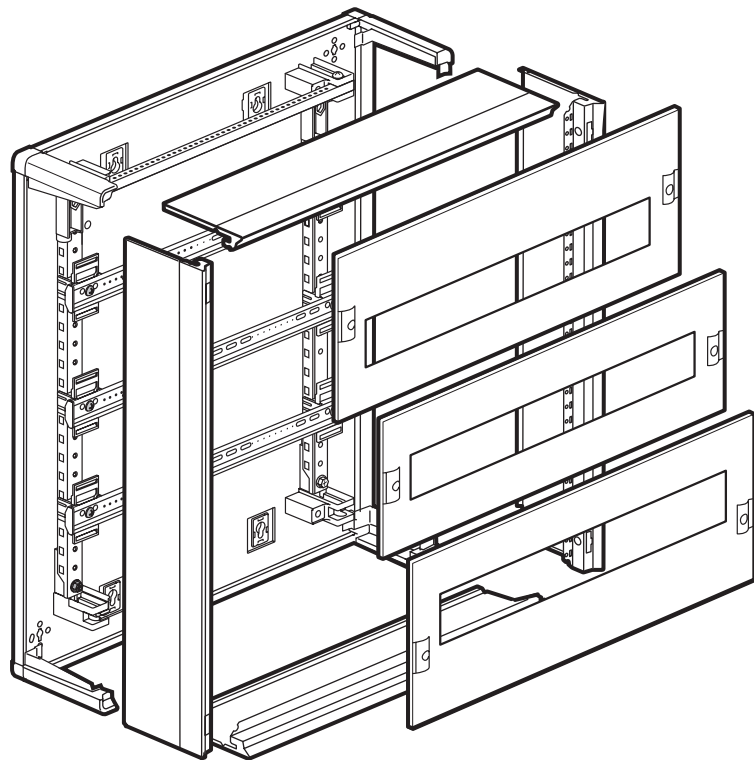
XL³ 160 metal, fully modular cabinets with dimensions optimised for distribution up to 160 A. They can take the DPX³ 160 and the Vistop 160 with no need for any accessories. XL³ 160 has been designed for ease of wiring and connection:

- Side panels can be removed separately
- Removable chassis

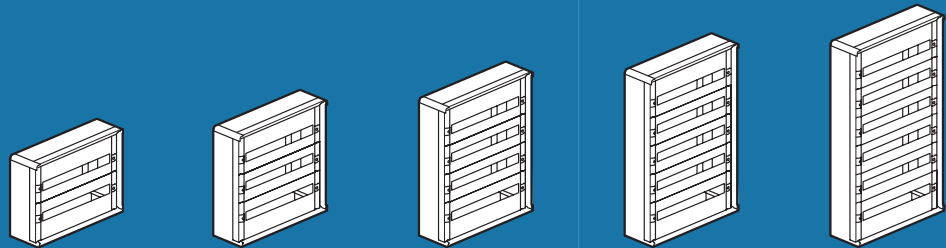
XL³ 160 also offers original solutions for holding and running the wiring, a large working area and a high-quality finish.

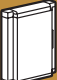

SPECIFICATIONS

- Class I metal cabinet
- Rated peak withstand current I_{pk}: 35 kA
- IP 30, IP 40 with door and IP 43 with door and seal
- IK 07 to IK 08 with door
- Conforms to standards IEC 61439-1 and 61439-3
- Fireproof according to IEC 60695-2-1-750°C/5 s
- Suitable for installations in public buildings
- Can take devices up to 160 A
- Colour RAL 7035
- Supplied complete with rails, faceplates, adjustable cable entry plate and brass bar for protective conductors.



"FULLY MODULAR" CABINETS



	0 200 02	0 200 03	0 200 04	0 200 05	0 200 06	
Cabinet Cat.Nos	0 200 02	0 200 03	0 200 04	0 200 05	0 200 06	
External height (mm)	450	600	750	900	1050	
Number of modular rows	2	3	4	5	6	
Number of modules	48	72	96	120	144	
Curved doors	Solid 	0 202 52	0 202 53	0 202 54	0 202 55	0 202 56
	Glass 	0 202 62	0 202 63	0 202 64	0 202 65	0 202 66

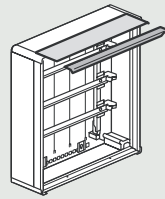
METAL CABINETS

PREPARING THE CABINETS

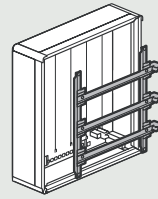
XL³ 160 metal cabinets are supplied fitted with rails on removable chassis, faceplates, a cable entry plate and a brass bar for connecting protective conductors. The cardboard packaging can be re-used for delivery to the site.



XL³160 offers you two possibilities, to suit your preferred way of working:



Removing the side panels individually



Removing the chassis

1 WIRING AT THE BACK OF THE CABINET

For ease of wiring, it is possible to remove all the side panels.



Remove the 2 front screws for the upper and lower side panels and the 2 side screws for the right and left side panels

MOUNTING THE DEVICES

2 WIRING ON CHASSIS ONLY

The chassis can be removed from the enclosure so that the wiring can be carried out in the workshop if the enclosure is already installed on site.



With the faceplates removed, the chassis can be removed from the enclosure after unscrewing the 4 retaining screws.



It is very easy to work on the chassis when it is removed from the cabinet

1 MOUNTING THE DPX³ 160

The DPX³ 160 can be incorporated in cabinets with an adaptor for mounting on a \perp rail. A height spacer Cat.No 4 052 26 can be mounted on the same rail so that modular devices or a modular distribution block can be installed next to the DPX³.



The DPX³ 160 is mounted in a low position on a rail: remove the isolating supports and refit the rail directly on the functional uprights using the two M6 x 10 screws provided.

2 MOUNTING VISTOP 63 TO 160 A

Vistops with side handle are supplied with the accessories needed to locate the handle on the outside of the enclosure. A template is provided for drilling the side panel.



The handle is mounted directly on the side panel of the cabinets.

WIRING AND CONNECTION

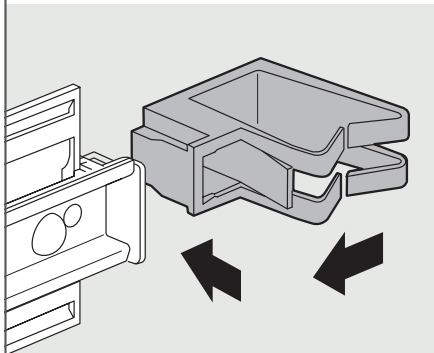
1 WIRING

■ Guide rings

XL³ 160 cabinets can take guide rings Cat.No 0 200 93 for vertical wiring. These rings can be mounted on the right or left. They simply clip onto the isolating supports of the rails.

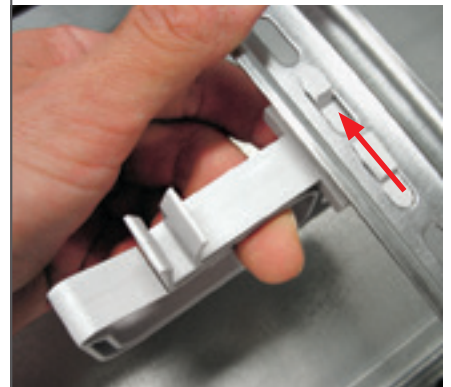


Holding vertical wiring in place



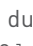
Insert the ring on the side of the support then push it towards the back

XL³ 160 cabinets take guide rings Cat.No 0 200 94 for horizontal wiring. These rings fit directly under the rails.



Fitting a guide ring for horizontal wiring

■ Lina 25™ ducting

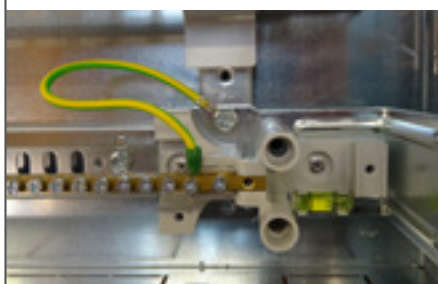
Supports Cat.No 0 200 70 are used for installing Lina 25 vertical ducting (40x60). The supports clip onto the  rail supports in the same way as the vertical wiring guide rings. The ducting is fixed using the isolating rivets provided.



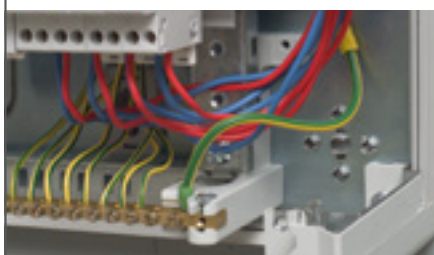
XL³ 160 cabinets also take Lina 25 horizontal ducting (40 x 60) : use isolating screws Cat.No 0 367 74 to fix the ducting directly on the uprights

2 PROTECTIVE CONDUCTORS

The cabinet chassis can be connected to ground using the threaded holes.



XL³ 160 cabinets are supplied with a brass bar for protective conductors with 2 x 35 mm² holes and 36 x 10 mm² holes. As the cabinet is reversible, the bar can be placed at the top or the bottom.



Collector for protective conductors pre-installed in XL³ 160 cabinets

A second collector Cat.No 373 00 can be installed either on the integrated supports, or on the guide rings Cat.No 0 200 94.

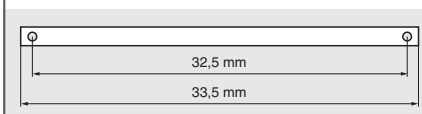


Guide rings Cat.No 0 200 94 enable an additional brass collector Cat.No 0 373 00 to be installed between the rows

It is also possible to use IP 2X terminal blocks for protective conductors (see below).

3 IP 2X DISTRIBUTION TERMINAL BLOCKS

XL³ 160 metal cabinets can take 1 or 2 flat bars 12 x 2 Cat.No 0 048 19 for IP 2X terminal blocks.



Cut and drill bar Cat.No 0 048 19



Fix the bar on the plastic supports integrated at the back of the cabinet

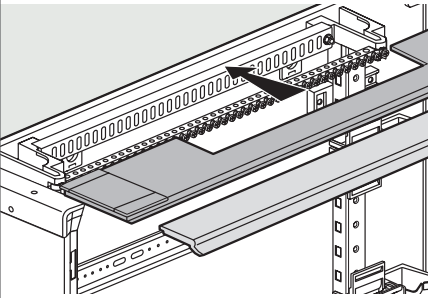
METAL CABINETS

4 INSERTING AND FIXING CABLES

The adjustable cable entry plate supplied with the metal cabinets is fitted after one of the upper or lower side panels has been cut.



Break the metal side panel along the pre-cut line



Insert the plate in the corner runners then re-fit the front part of the metal side panel

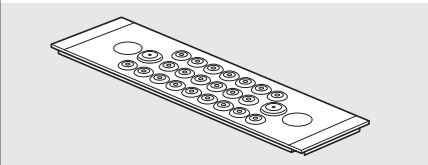
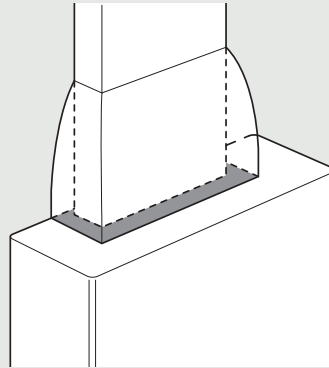


Plate Cat.No 0 200 21 with knockout cable entries (22 x Ø 20 mm entries and 2 x Ø 32 mm entries) is fitted in the same way



The DLP/cabinet or housing service duct joining strip Cat.No 0 201 60 improves the finish and increases the cable spreading volume

Metal cabinets can take, at the top and the bottom, the special cable fixing support Cat.No 0 200 35.



Cables anchored on support Cat.No 0 200 35 using Colson™ cable ties (all Colson™ and Colring™ cable ties can be used)

INSTALLATION AND FINISHES

1 FIXING THE CABINETS

■ Internal fixings

Each cabinet has 4 internal fixing points. Knock out the keyhole shaped holes. Fix the cabinet using four Ø 6 mm screws and washers.

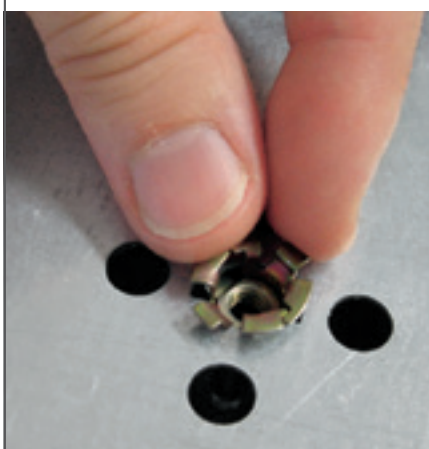


The keyhole shaped openings are used to attach and detach the cabinets

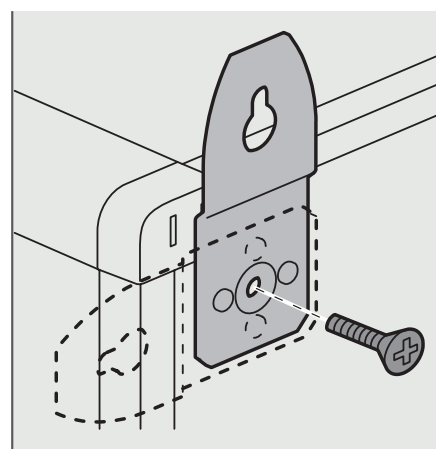
The cabinets can be joined vertically or horizontally.

■ External fixings

Wall-mounting lugs Cat.No 0 201 00 can be installed in a horizontal or vertical position.



Fit the clip-nut



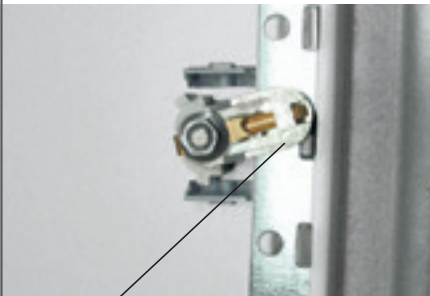
Screw on the lug in the required position

INTERNAL AND EXTERNAL FIXING CENTRES				CABINET COMBINATION	
Cabinet	A (mm)	B (mm)	C (mm)	Vertical Fixing centre (mm)	Horizontal Fixing centre (mm)
0 200 02	500	305	343	107	325
0 200 03	650	455	493	107	325
0 200 04	800	605	643	107	325
0 200 05	950	755	763	137	325
0 200 06	1100	905	943	107	325

METAL CABINETS

2 FACEPLATES AND MARKING

The faceplates are locked using a sealable ¼ turn fastening. The equipotential link with the enclosure is created automatically by the ¼ turn locking rotary slider.



Rotary slider



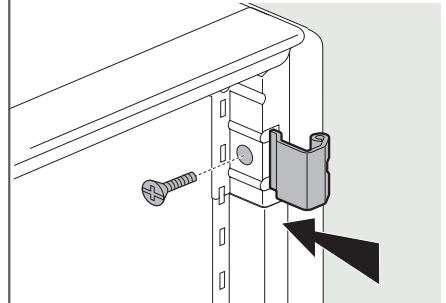
Sealing the faceplate in locked position



As well as the label-holders on all Lexic devices, a plastic marking strip is available as an accessory, supplied with the sets of labels

3 FITTING THE DOORS

The doors can be fitted to open to the left or the right. Slots for the hinges and the door release are provided on both sides of the cabinet.



Insert and fix the hinges in the slots on the side panels



The door release is fitted on the opposite side using 2 screws.

Curved doors leave a 53 mm (glass) or 57 mm (metal) space in front of the faceplates and can therefore be used with Vistops with front handle. Solid curved doors can take Osmoz control and signalling units and also allow the installation of a remote front handle for Vistops.



Osmoz devices and front handle on door

4 ACHIEVING IP 43

IP 43 is achieved by fitting seal Cat.No 201 30 around the door.



The seal must be fitted to the bottom of the door

5 DOOR EQUIPOTENTIAL LINK

The doors are equipped with studs for connecting the equipotential link conductor Cat.No 0 373 85 when control and signalling units with voltage $U > 50$ V are fitted.



Make a notch in the plastic cover for the conductor to pass behind the hinge



Conductor Cat.No 0 373 85 clips directly onto the faceplate support inside the enclosure



When the plastic cover is removed, up to 4 conductors can be inserted in the enclosure

FLUSH-MOUNTING CABINETS

XL³ 160 flush-mounting cabinets with dimensions optimised for distribution up to 160 A.

These cabinets are divided into:

- "Fully modular" cabinets with 3 to 6 rows. These can take the DPX³ 160
- Cabinets with dedicated space and 3 or 4 modular rows, for integrating French electricity tariff kit Cat.No 0 202 30

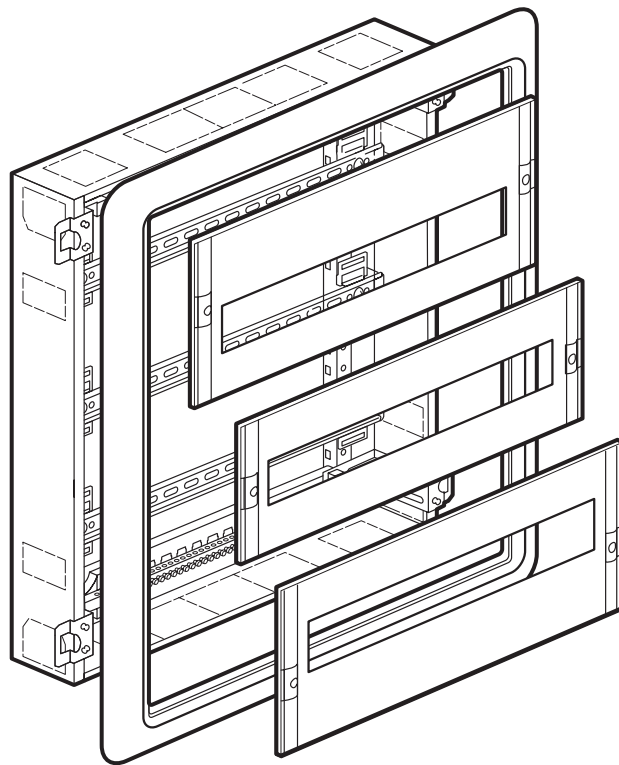
XL³ 160 has been designed for ease of wiring and connection:

- Removable chassis
- Removable insulated finishing frame
- Adjustable flush-mounting box for the insertion of cables

XL³ 160 also offers original solutions for holding and running the wiring, a large working area and a high-quality finish.

SPECIFICATIONS

- Rated peak withstand current I_{pk}: 20 kA
- IP 30, IP 40 with door
- IK 07, IK 08 with door
- Conform to standards IEC 61439-1 and 61439-3
- Fireproof according to IEC 60695-2-1-750°C/5 s
- Suitable for installations in public buildings
- Can take devices up to 160 A
- Colour RAL 7035
- Supplied complete with rails, faceplates and brass bar for protective conductors



	"FULLY MODULAR" CABINETS				CABINETS WITH DEDICATED SPACE FOR DPX ³ 160 OR FRENCH TARIFF	
Cabinet Cat.Nos	0 200 13	0 200 14	0 200 15	0 200 16	0 200 25	0 200 26
External height (mm)	600	750	900	1050	900	1050
Number of modular rows	3	4	5	6	3	4
Number of modules	72	96	120	144	72	96
Solid Flat door	0 202 73	0 202 74	0 202 75	0 202 76	0 202 75	0 202 76
Glass	0 202 83	0 202 84	0 202 85	0 202 86	0 202 85	0 202 86

FLUSH-MOUNTING CABINETS

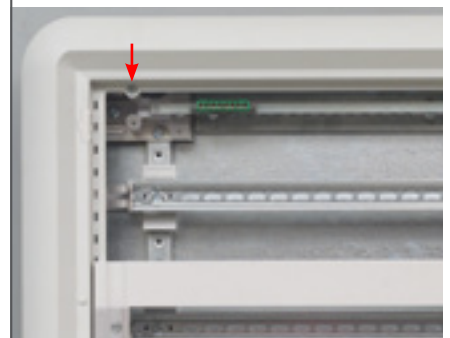
PREPARING THE CABINETS

XL³ 160 flush-mounting cabinets are supplied ready-assembled. They consist of a metal flush-mounting box, a removable chassis equipped with U-rails, a faceplate support finishing frame and insulated faceplates.



1 WIRING AT THE BACK OF THE ENCLOSURE

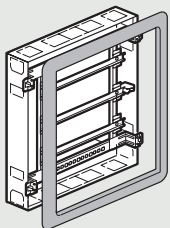
Removing the finishing frame provides a wide access area for wiring at the back of the enclosure.



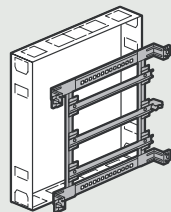
Remove the top and bottom faceplates to access the 4 faceplate support finishing frame retaining screws



XL³160 offers you two possibilities, to suit your preferred way of working:



Removing the faceplate support finishing frame



Removing the chassis

2 REMOVING THE CHASSIS

The chassis can be removed from the enclosure so that the wiring can be carried out in the workshop if the flush-mounting box is already installed on site.



The 4 chassis retaining screws can be accessed when the finishing frame has been removed

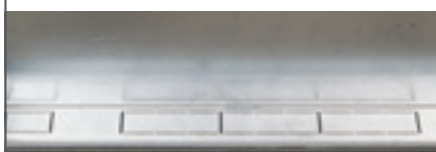
FLUSH MOUNTING

1 FIXING IN A MASONRY WALL

The hole in the wall must be at least 100 mm deep and be wide enough to allow the masonry anchors to be inserted. Cabinets can be fixed using plaster, adhesive mortar or cement, as required.



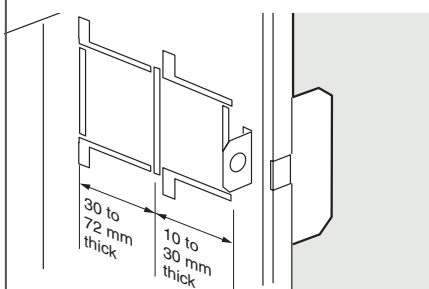
Pull up the masonry anchors



Open up the cable feedthroughs: wide pre-cut sections make this task easier

2 MOUNTING IN A HOLLOW PARTITION

Installation in a hollow partition requires fixing accessory Cat.No 0 200 10.



Cut out the holes for the mounting lugs according to the thickness of the wall



After cutting out the cable feedthroughs and positioning the enclosure, insert the mounting lugs and tighten them

MINIMUM FLUSH-MOUNTING DIMENSIONS

Cabinet	H (mm)
0 200 13	640
0 200 14	790
0 200 15/25	940
0 200 16/26	1090

MOUNTING THE DEVICES

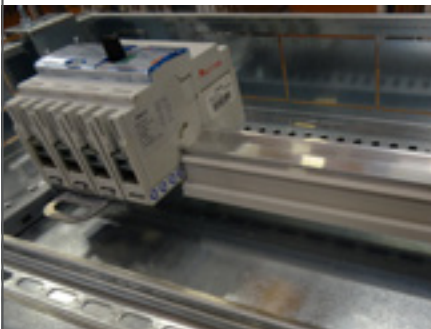
1 MOUNTING THE DPX³

■ DPX³ 160

Is mounted on an omega rail or on a plate in XL³ cabinets and enclosures. A height spacer (Cat.No 4 052 26) can be added in order to fit modular devices on the same row.



Mounting with a plate



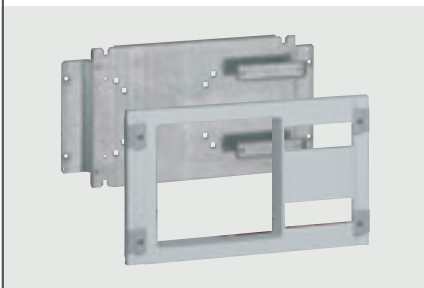
Mounting with a plate and the rail height spacer underneath



Installation of a modular product at the same level as the DPX³ 160

2 FITTING FRENCH ELECTRICITY TARIFF KITS

Cabinets with dedicated space, Cat.Nos 0 200 25 and 0 200 26, can take the French electricity tariff connection kit Cat.No 0 202 30. This kit has two 2 x 8 module rails to optimise the space when installing modular devices next to the incoming MCB.



Kit Cat.No 0 202 30 for subscriber MCB only (single phase 90 A or three-phase 60 A) with plates Cat.Nos 4 011 82/91, or subscriber MCB + Linky-compatible single phase meter Cat.No 4 011 81




The plate in kit Cat.No 0 202 30 fixes directly onto the uprights

WIRING AND CONNECTION

1 WIRING

■ Guide rings

XL³ 160 cabinets can take guide rings Cat.No 0 200 93 for vertical wiring. These rings can be mounted on the right or left. They simply clip onto the  rail supports.



Holding vertical wiring in place

XL³ 160 cabinets take guide rings Cat.No 0 200 94 for horizontal wiring. These rings are fixed directly below the rails.



Fitting a guide ring for horizontal wiring

■ Lina 25™ ducting

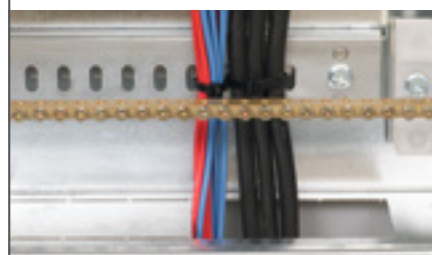
Supports Cat.No 0 200 70 are used for installing Lina 25 vertical ducting (40 x 60). The supports for Lina 25 ducting clip on in the same way as the vertical wiring guide rings.



XL³ 160 cabinets also take Lina 25 horizontal ducting: use isolating screws Cat.No 0 367 74 to fix the ducting directly on the uprights.

2 FIXING THE CABLES

Flush-mounting cabinets are equipped with a special support at the top and bottom for fixing cables.

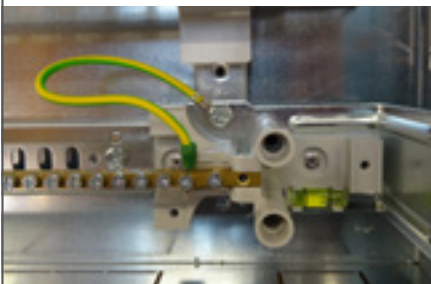


Cables anchored using cable ties (all Colson™ and Colring™ cable ties are compatible)

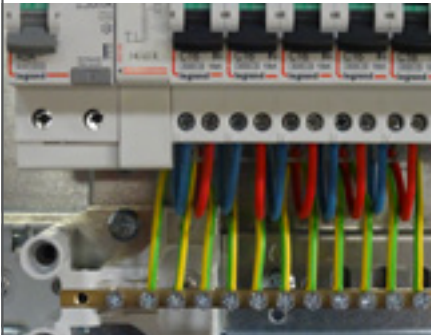
FLUSH-MOUNTING CABINETS

3 PROTECTIVE CONDUCTORS

The cabinet chassis can be connected to ground using the threaded holes.



XL³ 160 cabinets are supplied with a terminal block for protective conductors consisting of a brass bar with 2 x 35 mm² terminals and 36 x 10 mm² terminals. It can be installed at the top or the bottom on the supports integrated at the back of the cabinets.



Terminal block for protective conductors pre-installed in XL³ 160 cabinets

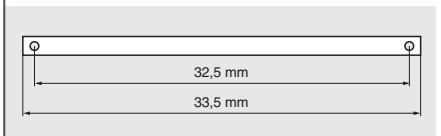


Horizontal wiring guide rings Cat.No 0 200 94 enable an additional brass collector Cat. No 0 373 00 to be installed between the rows.

It is also possible to use IP 2X terminal blocks for protective conductors (see below).

4 IP 2X DISTRIBUTION TERMINAL BLOCKS

XL³ 160 flush-mounting cabinets can take 12 x 2 flat bars Cat.No 0 048 19 for IP 2X terminal blocks.



Cutting out and drilling bars Cat.No 0 048 19 to create a horizontal terminal block



The support integrated at the back of the cabinet is used to fix the bars both horizontally and vertically

FINISHES

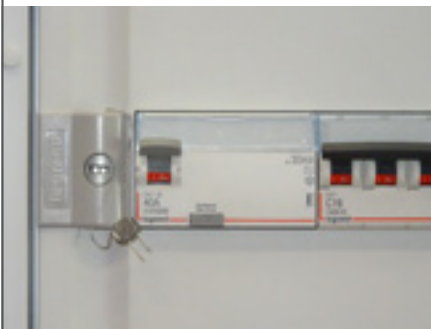
1 FACEPLATES AND MARKING



The faceplate support finishing frame ensures a perfect finish



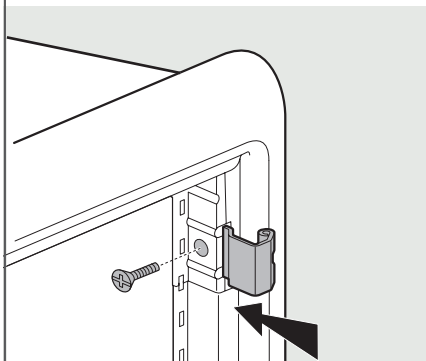
The faceplates are locked using a 1/4 turn fastening; their shape makes them easy to handle



Sealing the faceplate in locked position

2 FITTING THE DOORS

The doors can be fitted to open to the left or the right. Slots for the hinges and the door release are provided on both sides of the cabinet.



Remove the blanking plates then fit the hinges on the frame



The door release is fitted on the opposite side to the hinges using 2 screws



When fitting the handle, it is essential to fit the metal bracket so that the door locks correctly

DISTRIBUTION

SUPPLY BUSBARS, TERMINAL BLOCKS, DISTRIBUTION TERMINALS AND MODULAR DISTRIBUTION BLOCKS


Legrand distribution blocks for use in XL³160 enclosures meet the needs of a wide range of requirements, providing ease of use and maximum safety.

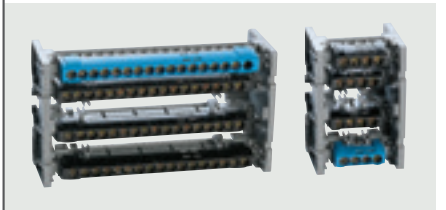
1 HX³ SUPPLY BUSBARS

1, 2, 3 or 4-pole supply busbars can be connected directly and supply power to modular devices up to 63 A. They are a flexible solution, take up little space and are easy to adapt for distribution in rows. DX³ auto devices are used to connect supply busbars with no need for any tools (see below).



2 DISTRIBUTION TERMINAL BLOCKS

Totally universal in their application, this type of terminal block can be used to distribute up to 100 A on between 4 and 33 outputs, depending on the catalogue number. The incoming cross-section is between 4 and 25 mm², and that of the outputs between 4 and 16 mm². These terminal blocks are fixed on a flat 12 x 2 bar or on a  rail.



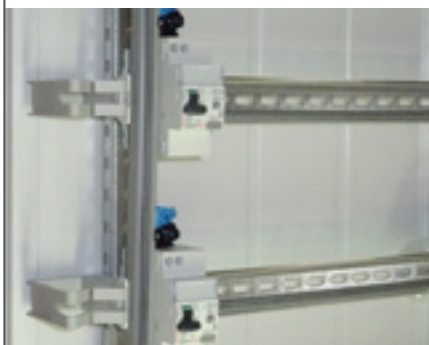
By combining IP 2X terminal blocks with a support Cat.No 0 048 10, you can create a 2P, 3P or 4P distribution block

3 DISTRIBUTION SYSTEMS: XL³ 160 CABINETS CAN TAKE VARIOUS HORIZONTAL AND VERTICAL DISTRIBUTION SYSTEMS

- Three-phase horizontal distribution using HX³ auto 4-pole supply busbar, 1/2 row (Cat.No 4 052 31). This model is supplied with fixing lugs for mounting on omega rail. It has 3 x 4 phase outgoing lines + 8 neutral outgoing lines.



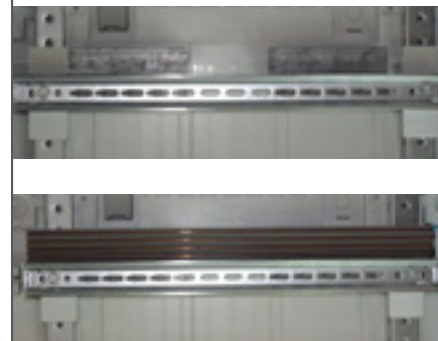
- Single phase vertical distribution using 63 A VX³ optimised supply busbar, for cabinets with 2, 3 and 4 rows.



- Three-phase vertical distribution using VX³ auto supply busbar available in 63 A (3, 4, 5 and 6 rows) or 125 A (4, 5 and 6 rows). These models are equipped with automatic output terminals.



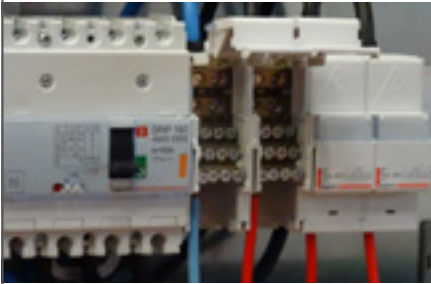
- Three-phase horizontal distribution using 125 A HX³ plug-in supply busbar, 24 modules. For mounting in XL³ 160 cabinet, use accessory Cat.No 4 052 24.



DISTRIBUTION

4 MODULAR DISTRIBUTION BLOCKS

These combine compactness and high connection capacity. They clip onto the \perp rails. Legrand modular distribution blocks are totally isolated: they are used at the supply end of the panel up to 250 A or in subgroups of outputs in panels with a higher power rating.



Modular single-pole distribution blocks: total isolation of poles in order to distribute between 125 and 250 A



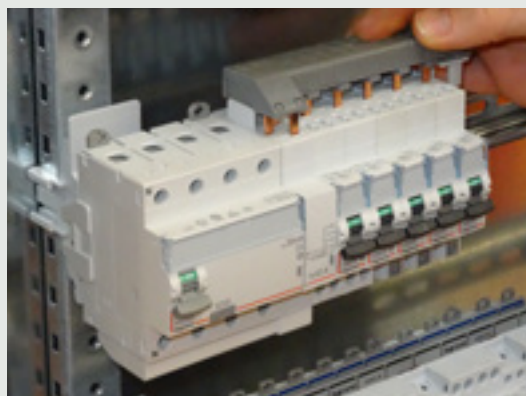
Modular distribution blocks can take an additional IP 2X terminal block



Distribution in rows using HX³ auto supply busbars: automatic connection of the single phase and 3-phase supply busbars up to 63 A



Single phase power supply to a row using the phase/neutral reversible universal supply busbar



3-phase power supply to a row using the "three prong" type supply busbar



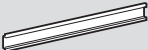
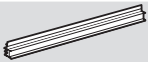
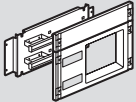
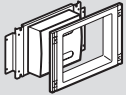
It is possible to mix screw connection and automatic terminal connection MCBs on the same row

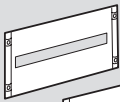


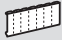



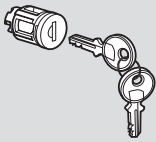


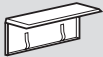
APPENDICES

ACCESSORIES

FIXING ACCESSORIES		INSULATED	METAL	FLUSH MOUNTING
	Wall mounting lugs	0 201 50	0 201 00	
	Fixing accessories for hollow partition			0 200 10
TERMINAL BLOCKS		INSULATED	METAL	FLUSH MOUNTING
	Supports for 12 x 2 flat bar	0 200 50		
	12 x 2 flat bar for IP 2X terminal block (1 m)	0 048 19	0 048 19	0 048 19
	Additional brass bar	0 373 00	0 373 00	0 373 00
ACCESSORIES FOR CABLE INSERTION		INSULATED	METAL	FLUSH MOUNTING
	Adjustable cable entry plates		0 200 20	
	Plate with knockout cable entries	0 200 71	0 200 21	
	Cable fixing support		0 200 35	
WIRING ACCESSORIES		INSULATED	METAL	FLUSH MOUNTING
	Guide ring for vertical wiring	0 200 94	0 200 94	0 200 94
	Guide ring for horizontal wiring	0 200 93	0 200 93	0 200 93
	Support for Lina 25 ducting	0 200 70	0 200 70	0 200 70
	DLP/housing service duct finishing strip	0 201 60	0 201 60	

EQUIPMENT		INSULATED	METAL	FLUSH MOUNTING
	Universal rail	0 200 00	0 200 00	0 200 00
	Rail height spacer	4 052 26	4 052 26	4 052 26
	French electricity tariff kit for connection plates Cat.Nos 4 011 81/82/91	0 202 30		0 202 30
	French electricity tariff kit for MCB + 3-phase meter	0 202 31		

EQUIPMENT		INSULATED	METAL	FLUSH MOUNTING
	Insulated faceplate for DPX ³ 160 - H: 300 mm	0 203 60		
	Solid insulated faceplate H: 100 mm	0 203 91		
	24-module adjustable untapped blanking plate	0 200 51	0 200 51	0 200 51
	18-module blanking plate, separable by 1/2 module	0 016 65	0 016 65	0 016 65
	24-module adhesive label holder	0 203 99	0 203 99	0 203 99

ACCESSORIES FOR DOORS		INSULATED	METAL	FLUSH MOUNTING
	Key barrels type 405	0 202 91	0 202 91	0 202 91
	Key barrels type 455	0 202 92	0 202 92	0 202 92
	Key barrels type 1242 E	0 202 93	0 202 93	0 202 93
	Key barrels type 2433 A	0 202 94	0 202 94	0 202 94
	Seal for IP 43 protection	0 201 30	0 201 30	0 201 30
	A4 flexible document holder	0 097 99	0 097 99	0 097 99
	Closed rigid document holder	0 365 82	0 365 82	0 365 82

FITTING THE KEY BARRELS

The method differs according to the type of handle used.

■ Large handle (enclosures H 1500 mm)



Push in the 2 black clips to remove the blanking plate



Combine the adaptor casing and barrel assembly with the aluminium-coloured adaptor



Insert the assembled barrel in the body of the handle

■ Small handle (enclosures H < 1500 mm)

Once the handle has been dismantled (M6 screw) the blanking plate is automatically released.



Combine the adaptor casing and barrel assembly with the black adaptor



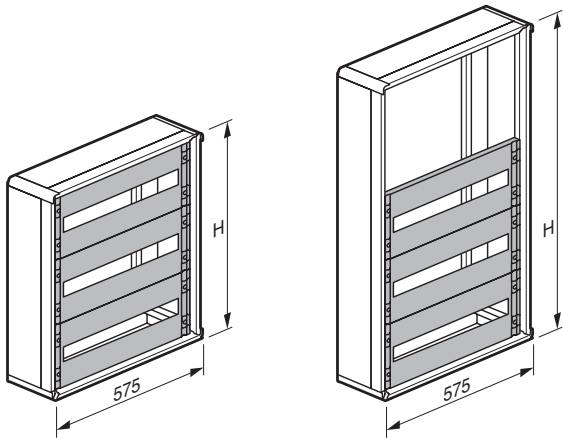
Insert the assembled barrel in the body of the handle



Refit the handle on its support

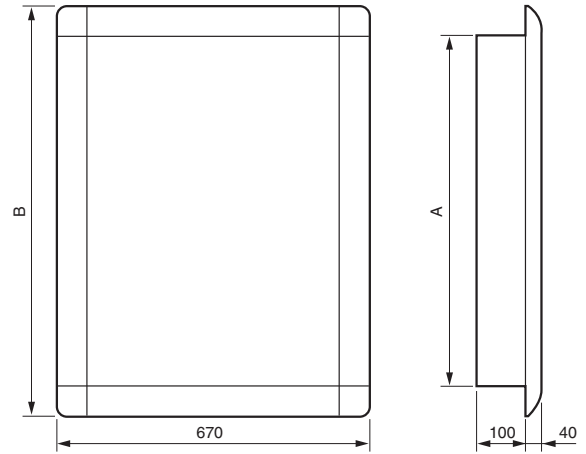
DIMENSIONS

1 INSULATED AND METAL CABINETS

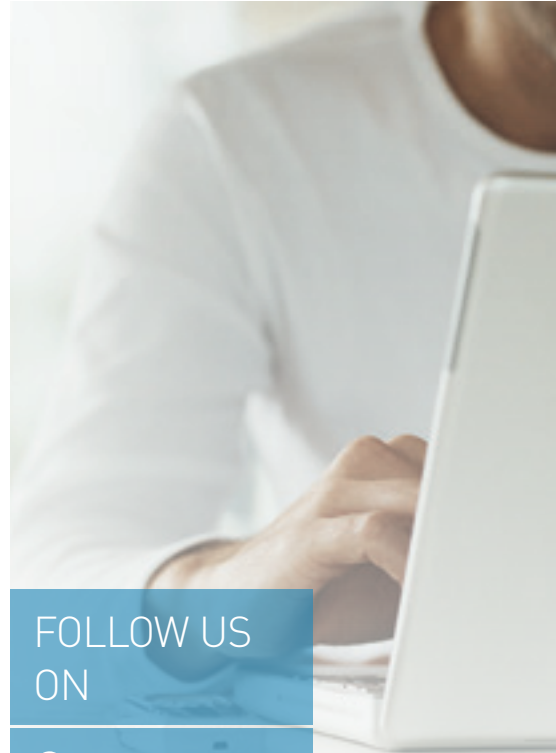


CABINETS		H (MM)
INSULATED	METAL	
4 018 02	0 200 02	450
4 018 03	0 200 03	600
4 018 04	0 200 04	750
4 018 05/15	0 200 05	900
4 018 06/16	0 200 06	1050

2 FLUSH-MOUNTING CABINETS



FLUSH-MOUNTING CABINETS	A (MM)	B (MM)
0 200 13	640	695
0 200 14	790	845
0 200 15 / 25	940	995
0 200 16 / 26	1090	1145



FOLLOW US ON

@ www.legrand.com

 www.youtube.com/legrand

 twitter.com/legrand_news



Head office

and International Department
87045 Limoges Cedex - France

Tel: + 33 (0) 5 55 06 87 87

Fax: + 33 (0) 5 55 06 74 55