



## Connection columns

With the MOSER garden columns green arrangements are woken to new life. By their application, electricity supply and water care are uncomplicated as well as guaranteed optically attractively in outside areas. There is a wide standard programme available in equipped columns.

Because of these positive qualities, popular operational areas of the garden columns are botanical gardens, private gardens, commercial horticulture, nursery gardens, parks, farms, kindergartens, playgrounds, sports fields, outdoor swimming pools, leisure parks, camping places, coach ports, cemeteries or hotel arrangements.

The outside columns consist out of a closed aluminium profile with a cover and a base plate. Integrated equipotential bonding terminal with protection conductor for the electrical connection. The supply towers can be equipped with all common standard devices.

Connection columns

Garden/gate/city 



## MS10 Garden supply tower



Equipment options of MS10

In well kept gardens and gateways electric connections should be particularly safe and elegant.

MS 10 will meet these demands and enable the installation of almost all electric functions.

Moser Anschlussäulen sind im Außenbereich einfach und schnell zu montieren. Whether a radio, notebook, electrical barbecue, chain of lights, tree lighting or lawn mower is requested, MOSER garden supply towers provide power where you need it and can be equipped with the devices of your choice.

Because of these positive qualities, popular application areas of the garden columns are botanical gardens, private gardens, commercial horticulture, nursery gardens, parks, farms, kindergartens, playgrounds, sports fields, outdoor swimming pools, leisure parks, camping places, coach ports, cemeteries or hotel arrangements.



MS10-500s4-2S-Fp

MS10-1150s4-Ws/S-Sf



Thanks to the height of the MOSER supply tower MS10-1150, you can easily open your garage from your car using a key switch.

The door opens automatically so that you can reach your garage without being exposed to wind or weather.

**Description of connection columns MS10, equipped:**

**MS10-300s4-2S-Fp:**

2 protective contact sockets IP44, incl. 1 double frame and base plate MS10-Fp5s  
Measures in mm (WxDxH): 100x50x300

**MS10-500s4-2S-Fp:**

2 protective contact sockets IP44, incl. 1 double frame and base plate MS10-Fp5s  
Measures in mm (WxDxH): 100x50x500

**MS10-1150s4-Ws/S-Sf:**

1 key switch, 1 rocker switch, incl. 2 single frames and supporting flange MS10-Sf5s  
Measures in mm (WxDxH): 100x50x1150



**Technical data**  
unequipped towers

**MS10-500**

**MS10-1150**

**For the equipment:**

1-sided with two standard devices in combination

1-sided with two standard devices and single frame

**Measures in mm (WxDxH):**

100x50x500

100x50x1150

Description garden columns unequipped	Bore-holes	Height (mm)	Protection class	Colour anodised	Article description	Order-No.
<b>MS10-500</b>	2	500	IPX5	silver	<b>MS10-500s5-2K/G</b>	<b>MB50500045</b>
<b>MS10-Fp5s</b> (Base plate for mounting)					<b>MS10-Fp5s</b>	<b>MB10080008</b>
<b>MS10-Esp</b> (Ground spike fixture)					<b>MS10-Esp</b>	<b>MS01960003</b>
<b>MS10-Fsf/A</b> (Moulded foundation block fixture incl. supporting flange, round footplate and underground socket)			IPX5		<b>MS10-500-Fsf/A</b>	<b>MB10000005</b>
<b>MS10-1150</b>	2	1150	IPX5	silver	<b>MS10-1150s5-2E/G</b>	<b>MB51150046</b>
<b>MS10-Sf5s</b> (Supporting flange fixture)					<b>MS10-Sf5s</b>	<b>MB10700014</b>
<b>MS10-Fsf/A</b> (Moulded foundation block fixture incl. supporting flange, round footplate and underground socket)			IPX5		<b>MS10-1150-Fsf/A</b>	<b>MB10000006</b>
<b>Garden columns equipped</b> (Description equipment see above)						
<b>MS10-300</b>		300	IP44	silver	<b>MS10-300s4-2S-Fp</b>	<b>MB70307056</b>
<b>MS10-500</b>		500	IP44	silver	<b>MS10-500s4-2S-Fp</b>	<b>MB70507021</b>
<b>MS10-1150</b>		1150	IP44	silver	<b>MS10-1150s4-Ws/S-Sf</b>	<b>MB91157055</b>

More heights and equipment under column profiles at page 158  
More mounting options see page 206

## MS18 Garden supply tower



Equipment options of MS18

The MOSER supply towers give you freedom to enjoy life in your garden and areas directly outside your home. Regardless of whether you wish to work or celebrate outside, with the supply tower MS18 you can now say goodbye to those irritating and inconvenient extension cables and enjoy these hidden benefits.

The energy columns offer a comfortable water connection for your garden hose or high-pressure cleaner.

The supply towers impress with their timeless design, high quality craftsmanship, stability and functionality. The towers can be equipped with the devices of your choice.



MS18-800s4-WsS-GAL



MS18-800s4-WsS-GOL



**Description of connection columns MS18, equipped:**

**MS18-800s4-2S/W-Fp:**

2 protective contact sockets IP44, incl. 2 double frames, water connection 1/2" and base plate MS18-Fp5s  
Measures in mm (WxDxH): 180x100x800

**MS18-800s4-Ws/S-GOL:**

Incl. orientation light with LED strip-light and transformer, 1 rocker switch, 1 protective contact socket IP44, incl. 2 single frames and base plate MS18-Fp5s  
Measures in mm (WxDxH): 180x100x800

**MS18-800s4-Ws/S-GAL:**

Incl. mounted light, 1 rocker switch, 1 protective contact sockets IP44, incl. 2 single frames and base plate MS18-Fp5s  
Measures in mm (WxDxH): 180x100x800



Technical data	MS18-800	MS18-GAL	MS18-GOL/Cover
<b>Equipment:</b> with 2 boreholes for all common standard devices	Delivered with a 1/2" water connection.	Optional with water connection 1/2". Incl. mounted light	The standard columns MS18 can be retrofitted with an LED cover.
<b>Measures in mm (WxDxH):</b>	180x100x800	180x100xh	180x100xh
<b>Hole pattern</b>	13 for cavity walls with standard device equipment (switches,...)		

Description garden columns unequipped	Bore-holes	Height (mm)	protection class	Colour anodised	Article description	Order-No.
<b>MS18 Garden supply tower:</b>						
<b>MS18-800</b> incl. water connection/ without mounting set	2	800	IPX5	silver	<b>MS18-800s5-2E/W/G</b>	<b>MD50800148</b>
<b>MS18-Moulded foundation block</b> with pressure die casting box out of aluminium					<b>MS18-Fsf/A</b>	<b>MD10000001</b>
<b>MS18-base plate</b>			IPX5	silver	<b>MS18-Fp5s</b>	<b>MD10100002</b>
<b>MS18 with mounted light, incl. base plate:</b>						
<b>MS18-500</b>	2	500	IP44	silver	<b>MS18-500s4-2K-GAL</b>	<b>MD80500149</b>
<b>MS18-800</b>	2	800	IP44	silver	<b>MS18-800s4-2K-GAL</b>	<b>MD80800150</b>
<b>MS18-1150</b>	2	1150	IP44	silver	<b>MS18-1150s4-2K-GAL</b>	<b>MD81150151</b>
<b>MS18-1400</b>	2	1400	IP44	silver	<b>MS18-1400s4-2K-GAL</b>	<b>MD81400152</b>
<b>MS18 with orientation light, incl. base plate:</b>						
<b>MS18-500</b>	2	500	IP44	silver	<b>MS18-500s4-2K-GOL</b>	<b>MD70500153</b>
<b>MS18-800</b>	2	800	IP44	silver	<b>MS18-800s4-2K-GOL</b>	<b>MD70800154</b>
<b>MS18-1150</b>	2	1150	IP44	silver	<b>MS18-1150s4-2K-GOL</b>	<b>MD71150155</b>
<b>MS18-1400</b>	2	1400	IP44	silver	<b>MS18-1400s4-2K-GOL</b>	<b>MD71400156</b>
<b>MS18-GOL LED-Cover (for retrofitting)</b>			IP44	silver	<b>MS18-GOL</b>	<b>MD20100001</b>
<b>Garden columns equipped (Description equipment see above)</b>						
<b>MS18-800</b> , incl. water connection		800	IP44	silver	<b>MS18-800s4-2S/W-Fp</b>	<b>MD60807022</b>
<b>MS18-800</b> , water connection optional		800	IP44	silver	<b>MS18-800s4-WsS-GOL</b>	<b>MD70807024</b>
<b>MS18-800</b> , water connection optional		800	IP44	silver	<b>MS18-800s4-WsS-GAL</b>	<b>MD80807023</b>

More heights and equipment under column profiles at page 188

More mounting options see page 206

## MSR12 - the round garden supply tower



Equipment options of MSR12

These supply towers provide numerous connection possibilities. Both functional requirements and aesthetic aspects play a significant role. The round supply tower, Type MSR12 was specially developed for design-oriented fields of application.

The distinguishing features of this tower are its appearance and sophisticated technology.

The surface-mounted light which emits light in all directions is glare-free thanks to the integrated reflectors.



MSR12-800s4-WsS-GAL

MSR12-800s4-WsS-GOL




**Description of connection columns MSR12 equipped:**
**MSR12-800s4-WsS-GOL:**

Incl. orientation light with LED strip-light and transformer, 1 rocker switch, 1 protective contact socket IP44, incl. 1 double frame and base plate MSR12-Fp5s-T1  
Measures in mm (ØxH): 120x800

**MSR12-800s4-WsS-GAL**

Incl. mounted light. 1 rocker switch, 1 protective contact socket IP44, incl. 1 double frame and base plate MSR12-Fp5s-T1  
Measures in mm (ØxH): 120x800



Technical data	MSR12-GAL	MSR12-GOL/Cover
<b>Equipment:</b> 1-sided with all standard equipment programs. (Frame width max. 85 mm)	Incl. mounted light	MSR12-GOL, incl. orientation light The standard columns MSR12 can be retrofitted with an LED cover.
<b>Measures in mm (Ø x H):</b>	120xh	120xh
<b>Hole pattern:</b>	1.1 for standard device equipping (switch,...)	1.1 for standard device equipping (switch,...)

Description garden columns unequipped	Bore-holes	Height (mm)	protection class	Colour anodised	Article description	Order-No.
<b>MSR12 Garden supply tower:</b>						
<b>MSR12 with mounted light, incl. base plate:</b>						
MSR12-500	2	500	IP44	silver	MSR12-500s4-2K-GAL	MM90500067
MSR12-800	2	800	IP44	silver	MSR12-800s4-2K-GAL	MM90800068
MSR12-1150	2	1150	IP44	silver	MSR12-1150s4-2K-GAL	MM91150069
MSR12-1400	2	1400	IP44	silver	MSR12-1400s4-2K-GAL	MM91400070
<b>MSR12 with orientation light, incl. base plate:</b>						
MSR12-500	2	500	IP44	silver	MSR12-500s4-2K-GOL	MM80500071
MSR12-800	2	800	IP44	silver	MSR12-800s4-2K-GOL	MM80800072
MSR12-1150	2	1150	IP44	silver	MSR12-1150s4-2K-GOL	MM81150073
MSR12-1400	2	1400	IP44	silver	MSR12-1400s4-2K-GOL	MM81400074
<b>MSR12-GOL LED-Cover (for retrofitting)</b>			IP44	silver	<b>MSR12-GOL</b>	<b>MM20000001</b>
<b>Garden columns equipped (Description equipment see above)</b>						
MSR12		800	IP44	silver	MSR12-800s4-WsS-GOL	MM80807026
MSR12		800	IP44	silver	MSR12-800s4-WsS-GAL	MM90807025

More heights and equipment under column profiles at page 166  
More mounting options see page 206

## MSR20 - the round garden supply tower



Equipment options of MSR20

This version of the round garden supply tower is particularly suitable for lighting the entrance area of your house or the garage driveway.

The 20 cm diameter of the column and the lighting is adequate for lighting larger areas. It can be equipped with switches and sockets.

With the garden supply tower MSR20 we combine the indirect lighting technology with the required electrical switching functions.

For switching either gate drives or additional lights, this "switching station" provides the direct line to your site.



MSR20-800s4-WsS-GAL



MSR20-800s4-WsS-GOL



**Description of connection columns MSR20 equipped:**

**MSR20-800s4-WsS-GOL:**

Incl. orientation light with LED strip-light and transformer, 1 rocker switch, 1 protective contact socket IP44, incl. 1 double frame and base plate MSR20-Fp5s  
Measures in mm (ØxH): 200x800

**MSR20-800s4-WsS-GAL:**

Incl. mounted light; 1 rocker switch, 1 protective contact socket IP44, incl. 1 double frame and base plate MSR20-Fp5s-T1  
Measures in mm (ØxH): 200x800



Technical data	MSR20-GAL	MSR20-GOL/Cover
<b>Equipment:</b> 1-sided with all standard equipment programs. (Frame width max. 160 mm)	Incl. mounted light	MSR20-GOL, incl. orientation light The standard columns MSR20 can be retrofitted with an LED cover.
<b>Measures in mm (Ø x H):</b>	200 x h	200 x h
<b>Hole pattern:</b>	1.1 for standard device equipping (switch,...)	1.1 for standard device equipping (switch,...)

Description garden columns unequipped	Bore-holes	Height (mm)	protection class	Colour anodised	Article description	Order-No.
<b>MSR20-Garden supply tower:</b>						
<b>MSR20 with mounted light, incl. base plate:</b>						
MSR20-500	2	500	IP 44	silver	MSR20-500s4-2K-GAL	MK70500165
MSR20-800	2	800	IP 44	silver	MSR20-800s4-2K-GAL	MK70800166
MSR20-1150	2	1150	IP 44	silver	MSR20-1150s4-2K-GAL	MK71150167
MSR20-1400	2	1400	IP 44	silver	MSR20-1400s4-2K-GAL	MK71400168
<b>MSR20 with orientation light, incl. base plate:</b>						
MSR20-500	2	500	IP 44	silver	MSR20-500s4-2K-GOL	MK60500169
MSR20-800	2	800	IP 44	silver	MSR20-800s4-2K-GOL	MK60800170
MSR20-1150	2	1150	IP 44	silver	MSR20-1150s4-2K-GOL	MK61150171
MSR20-1400	2	1400	IP 44	silver	MSR20-1400s4-2K-GOL	MK61400172
<b>MSR20-GOL LED-Cover (for retrofitting)</b>			IP 44	silver	MSR20-GOL	MK20000001
<b>Garden columns equipped (Description equipment see above)</b>						
MSR20		800	IP44	silver	MSR20-800s4-WsS-GOL	MK60807057
MSR20		800	IP44	silver	MSR20-800s4-WsS-GAL	MK70807058

More heights and equipment under column profiles on page 194  
More mounting options see page 206



Equipment options of the intercom columns MS18/MSR20

With the columns MS18/MSR20 MOSER successfully achieves a symbiosis of technology and design. As the supply ducts are underground, the columns do not require walls for mounting. The optional orientation light is a novelty which underlines the function of this application and simultaneously represents a "highlight" in terms of communication.

The puristic design combined with the new orientation light is once again evidence that Moser Systemelektrik is geared to fulfilling the requirements of it's customers.

Excellent technology, enhanced by lighting for your benefit and your security.



MSR20-1400s4-Typ1-OL

MS18-1400s4-3



Gate intercom columns for installing in entrance areas on paved surfaces and in the ground.

Gate intercom columns can be equipped with intercom systems. The following brands with 1, 2, 3 and 4 modules can be used:

- Siedle
  - Ritto
  - Grothe
  - Balcom
  - (Seko-)BTicino/Terraneo
  - Fermax
  - Urmet
  - TCS
- ... and more after technical clarification



**Option with LED-Cover**

Technical data	MS18 Gate intercom columns	MSR20 Gate intercom columns
<b>Equipment:</b> Intercom columns are prepared for the assembly of intercom systems.	The existing columns MS18 can be retrofitted with an LED-cover.	The existing columns MSR20 can be retrofitted with an LED-cover.

<b>Measures in mm:</b> More heights on inquiry	180x100x1400 (WxDxH)	Ø 200x1400 (Ø xH)
---	----------------------	-------------------

Description	Height (mm)	protection class without light	protection class with light	Colour anodised	Article description without light	Article description with light	Order-No. without light	Order-No. with light
<b>MSR20 Gate intercom column:</b>						<b>Addition:</b>		
MSR20 for 1 modul	1400	IPX4	IP 44	silver	MSR20-1400s4-type 1	OL	MK51400157	MK61400161
MSR20 for 2 modules	1400	IPX4	IP 44	silver	MSR20-1400s4-type 2	OL	MK51400158	MK61400162
MSR20 for 3 modules	1400	IPX4	IP 44	silver	MSR20-1400s4-type 3	OL	MK51400159	MK61400163
MSR20 for 4 modules	1400	IPX4	IP 44	silver	MSR20-1400s4-type 4	OL	MK51400160	MK61400164
<b>MS18 Gate intercom column:</b>								
MS18 for 1 modul	1400	IPX4	IP 44	silver	MS18-1400s4-1	OL	MD61400133	MD71400137
MS18 for 2 modules	1400	IPX4	IP 44	silver	MS18-1400s4-2	OL	MD61400134	MD71400138
MS18 for 3 modules	1400	IPX4	IP 44	silver	MS18-1400s4-3	OL	MD61400135	MD71400139
MS18 for 4 modules	1400	IPX4	IP 44	silver	MS18-1400s4-4	OL	MD61400136	MD71400140
<b>MSR20-GOL LED-Cover (for retrofitting or option)</b>			IP 44	silver		MSR20-GOL		MK20000001
<b>MS18-GOL LED-Cover (for retrofitting or option)</b>			IP 44	silver		MS18-GOL		MD20100001

The given order numbers are standard numbers and contain in each case a general cutting for speech modules. The exact order number arises after your inquiry under information of the planned intercom systems which you give us with the inquiry absolutely.

Mounting options on inquiry



Equipment options of TerraMo

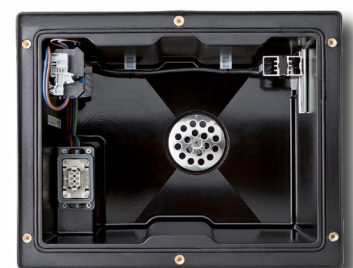
TerraMo is suited by its compact size and easy lowering perfectly for the application in driveways and entrances.

In beer gardens and on terraces different electric appliances can be used easily.

Thus the application of cooking-, grill- as well as washing devices in the outside area is no longer a problem. Also the connection of cash boxes, ice bars or warm hold devices is conceivable.

Its optics are convincing by elegance and modern design.

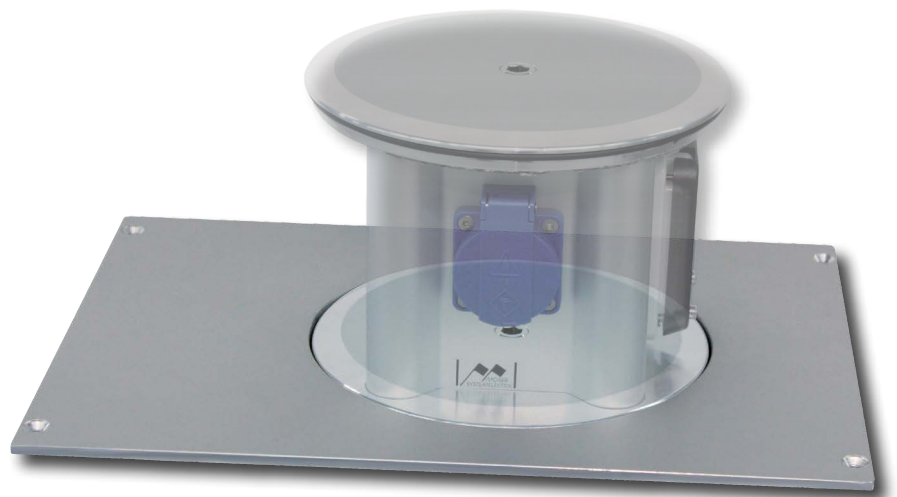
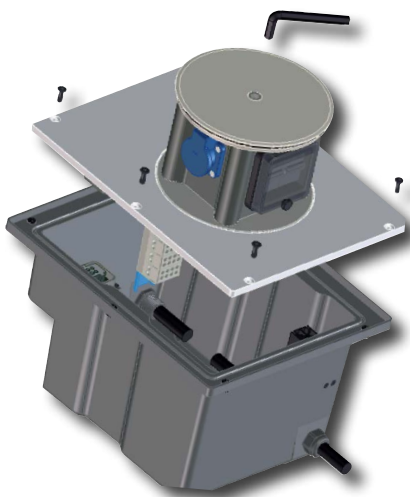
TerraMo is the complete unity wired all ready for the immediate application





**Technical data**

Protection class:	IP 44 for sockets IP 55 for distributors
Protection equipment:	Protective conductor, protection class 1
Mains voltage / frequency:	230/400V, 50 Hz
Network:	TN-S system
Connection load:	approx. 3 kW
Max. permissible supply cable:	5 x 6 mm <sup>2</sup>
Total weight:	11 kg
Dimensions: (H x W x D):	303 x 390 x 310 mm
Installation depth:	303 mm
Extendible height::	136 mm
Load capacity of cover:	Supports weight of car
Heater:	20W switch cabinet heater
Lifting mechanism:	pneumatic spring
Drainage connection:	1 St. DN 40



Description	Equipment	Article description	Order-No.
<b>TerraMo Standard 01</b>	2 protective contact sockets, 16 A	<b>TerraMo-Sta-01</b>	<b>M502010001</b>
<b>TerraMo Standard 02</b>	4 protective contact sockets, 16 A	<b>TerraMo-Sta-02</b>	<b>M502010002</b>
<b>TerraMo Standard 03</b>	2 protective contact sockets, 16 A 1 distributor 4 partitions	<b>TerraMo-Sta-03</b>	<b>M502010003</b>
<b>TerraMo Standard 04</b>	3 protective contact sockets, 16 A 1 distributor 4 partitions	<b>TerraMo-Sta-04</b>	<b>M502010004</b>
<b>TerraMo Standard 05</b>	2 protective contact sockets, 16 A, 1 CEE 16 A 1 distributor 4 partitions	<b>TerraMo-Sta-05</b>	<b>M502010005</b>

Further informations you'll find on page 74