

THE FLEXIBLE,
ROBUST
AND EFFECTIVE
SOLUTION

IP 66 WEATHERPROOF FLOOR BOXES
4 MODULES



CATALOGUE
PAGES
INSIDE

THE GLOBAL SPECIALIST IN ELECTRICAL
AND DIGITAL BUILDING INFRASTRUCTURES

 **legrand**[®]

IP 66 WEATHERPROOF FLOOR BOXES THE MULTIPURPOSE SOLUTION SUITABLE FOR ANY ENVIRONMENT

IDEAL
FOR INDOOR
OR OUTDOOR
PUBLIC AREAS...

...hotel lobbies, swimming pools, shopping centres, museums, airports...but also for your home (swimming pool, terrace), IP 66 floor boxes have a capacity of 4 modules meaning they are compatible with 220 V socket outlets or RJ 45 data sockets.

HINGED LID

FOR YOUR CONNECTION
POINTS WITH
FREQUENT
AND SHORT
TERM USE



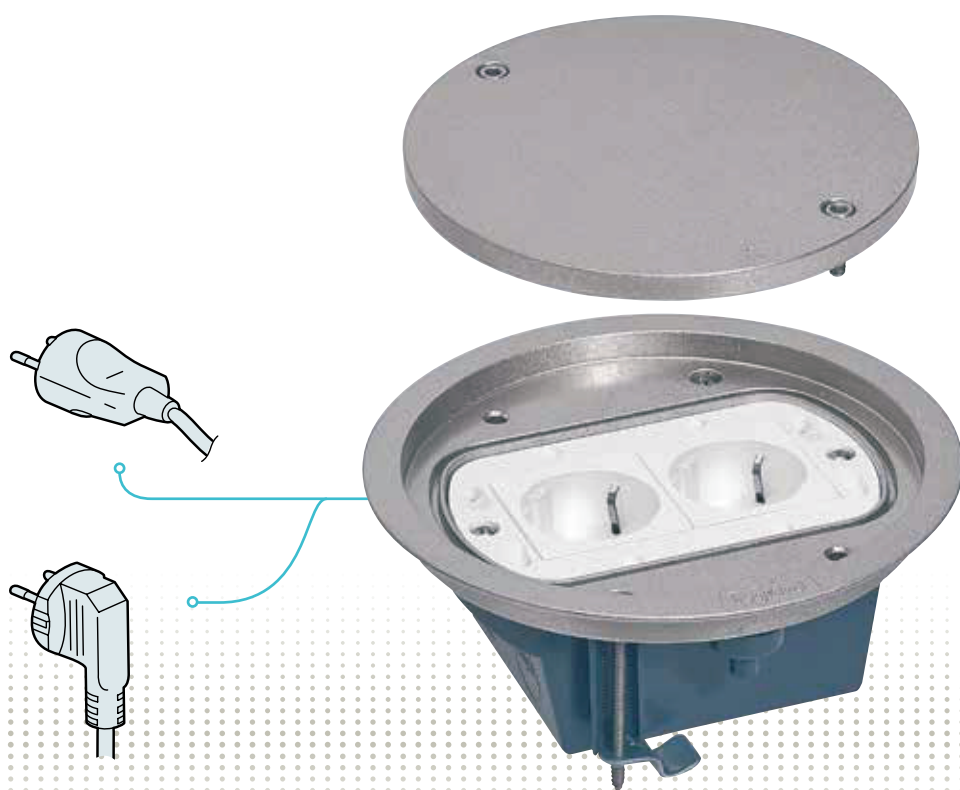
Available in 2 finishes :



Brass
Cat. No 0 880 63



Stainless steel
Cat. No 0 880 64



REMOVABLE LID

FOR YOUR
CONNECTION
POINTS WITH
OCCASIONAL
AND LONG
TERM USE

Available in 2 finishes :



Brass
Cat. No 0 880 63



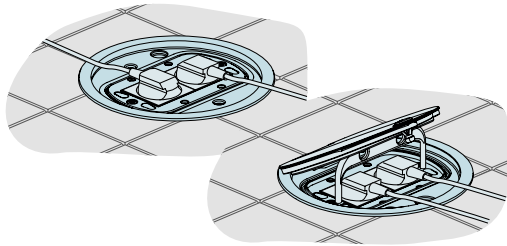
Stainless steel
Cat. No 0 880 64

FLEXIBLE AND ROBUST AT THE SAME TIME

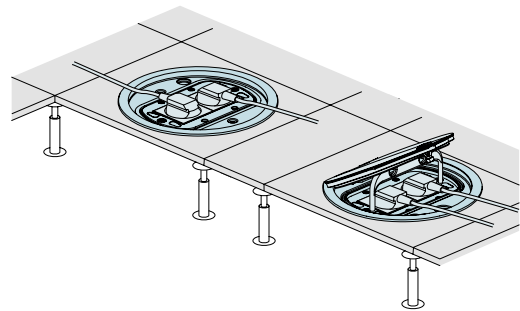
AN ADAPTABLE SOLUTION FOR GREATER FLEXIBILITY

CAN BE ADAPTED TO YOUR TYPE OF FLOOR

CONCRETE FLOOR



RAISED FLOOR



CAN BE EQUIPPED ACCORDING TO YOUR NEEDS

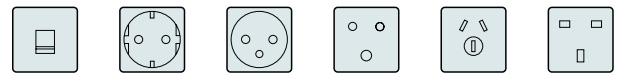
Different configurations possible with the modular wiring accessories (like Arteur or Mosaic Programme ranges)
Capacity: 4 modules

German, French/Belgian standard :

- 2 socket outlets
- 1 socket outlet + 1 or 2 RJ 45 data sockets

British standard :

- 1 switched socket outlet + 1 RJ 45 data socket



A LONG-LASTING SOLUTION FOR GREATER SAFETY

- Metallic floor boxes with very high resistance against mechanical impacts (IK 09)
- Excellent sealing :
 - 1 IP 66 with closed lid
 - 2 IP 55 with plugs connected, for removable lid floor boxes equipped with cable exit accessory
- Complies to IEC 60-670-1 and 60-270-23 standards



EASY TO INSTALL

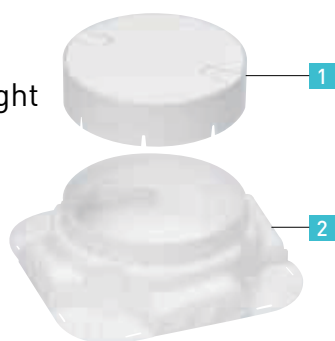
EASY TO USE

EASY INSTALLATION FOR DIFFERENT FLOOR TYPES

FOR CONCRETE FLOORS

Fitted with an auto-adjustable backbox, making it easier to adapt to different screed thickness (from 65 mm to 97 mm)

- 1 Removable lid for adjusting the height depending on the thickness of the screed
- 2 Pre-cut cable entries for different diameters of conduits (16, 20 and 25 mm)



FOR RAISED FLOORS

Quick and easy to fit thanks to the fixing lugs, using a regular screwdriver **1** (floor thickness between 15 mm and 55 mm)



SPECIALLY DESIGNED FOR GREAT USER COMFORT

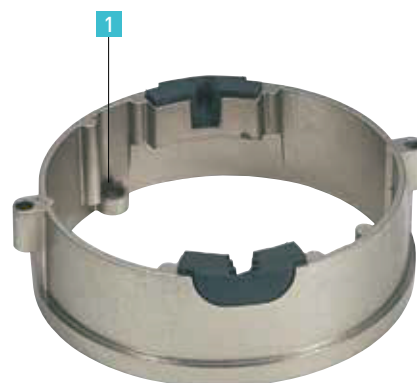
HINGED LID

- 1 Easy access to the socket outlets inside the floor box by opening the lid with a help of screwdriver
- 2 Securing system for the lid in open position, providing protection for engaged plugs



REMOVABLE LID

Lid held in place by only two screws. The cable exit accessory can be easily fixed using two screws (Allen key) instead of the removable lid **1**



IP 66 floor boxes - 4 modules

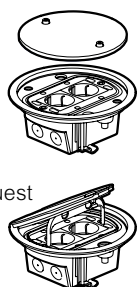
for raised or concrete floors



Technical characteristics see **opposite**

Conform to EN 60-670-1 and EN 60 670-23 standards
 IP 66 (when lid is closed) / IP 55 (with cable exit accessory Cat.No 0 880 62)
 IK 09

Pack	Cat.Nos	IP 66 floor boxes - 4 modules
		Supplied with lid and 4-module support frame for Mosaic Programme or Arteor mechanisms To be installed in flush-mounting backbox Cat.No 0 800 69 or directly in raised floor
		With removable lid Can be equipped with cable exit accessory Cat.No 0 880 62
1	0 880 60	Brass finish
1	0 880 61	Stainless steel finish
		With hinged lid Compatible with angled plugs only Can be equipped with key lock on request
1	0 880 63	Brass finish
1	0 880 64	Stainless steel finish



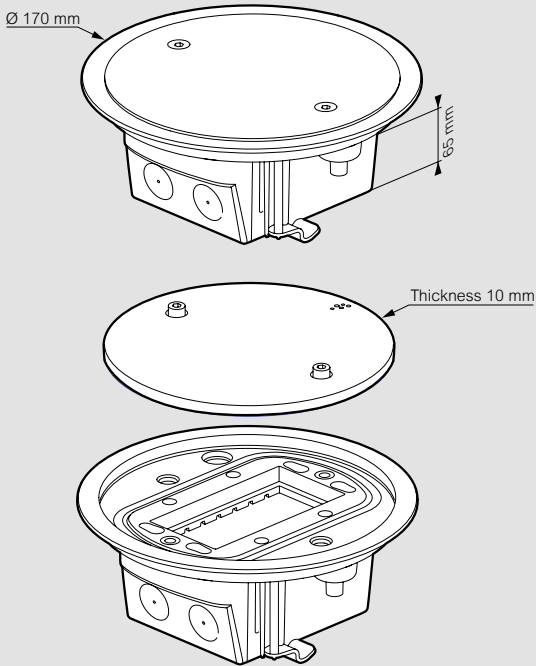
Pack	Cat.Nos	Backbox
1	0 880 69	Auto-adjustable backbox for installing IP 66 floor boxes in concrete floors Supplied with cover Accepts conduits Ø16, 20, 25 mm Minimum screed height: 65 mm
		Cable exit accessory
1	0 880 62	Compatible with angled plugs only IP 55 cable exit accessory

IP 66 floor boxes - 4 modules

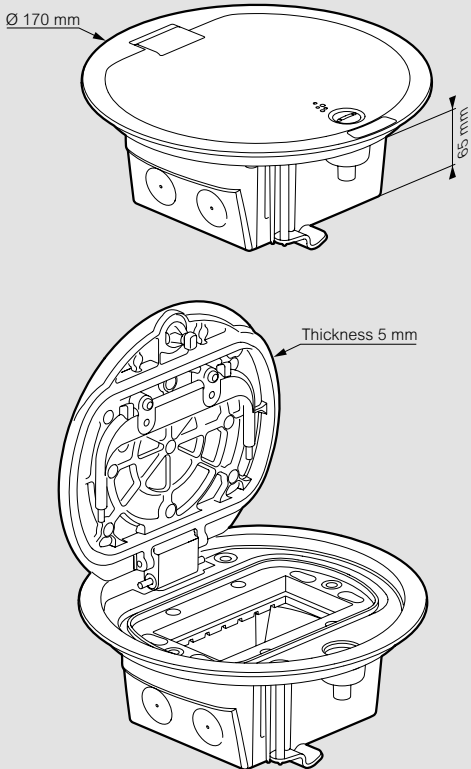
for raised or concrete floors

■ Dimensions

Floor boxes Cat.Nos 0 880 60/61

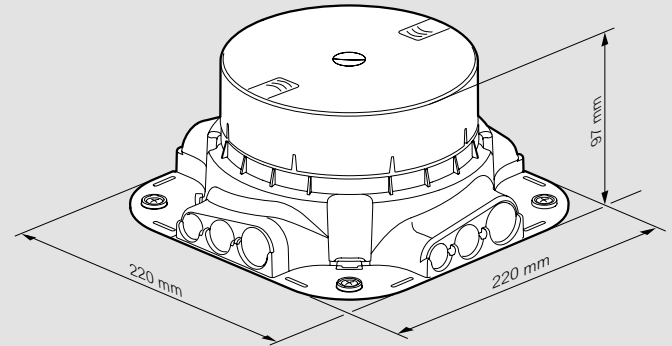


Floor boxes Cat.Nos 0 880 63/64

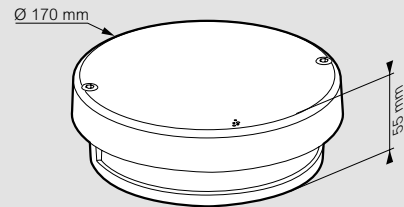


■ Dimensions (continued)

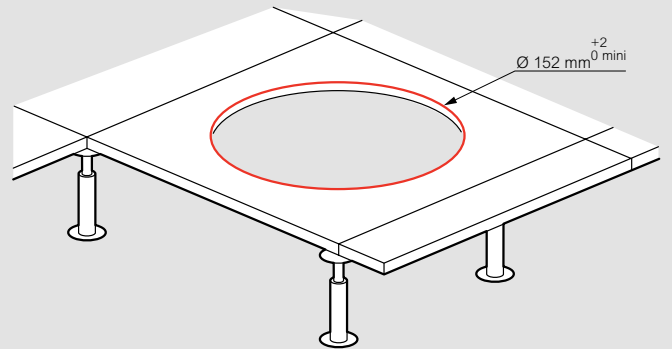
Flush-mounting backbox Cat.No 0 880 69



Cable exit accessory Cat.No 0 880 62



■ Floor cut for installation in raised floor





FOLLOW US
ALSO ON

@ www.legrand.com

▶ www.youtube.com/legrand

t twitter.com/legrand_news

f facebook.com/@legrand

EXB16028 - July 2016



**World Headquarters
and International Department**

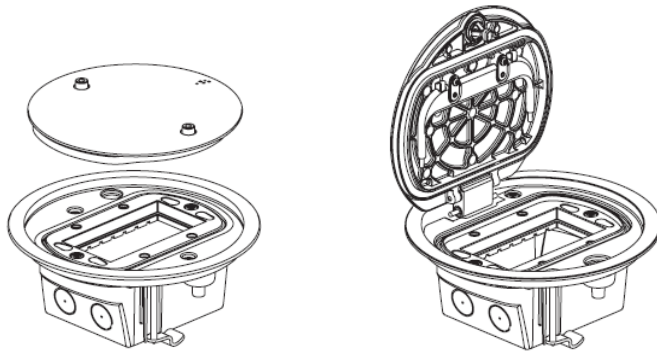
128, avenue de Lattre de Tassigny
87045, Limoges Cedex
France

Tel : + 33 (0) 5 55 06 87 87

Fax : + 33 (0) 5 55 06 74 55

IP66 Floor boxes 4 modules

Cat. Nos : 0 880 60/61/62/63/64/69



CONTENTS

PAGES

1. Range	1
2. Installation	1 to 3
3. Technical characteristics	4 to 5

1. RANGE

Small waterproof floor box to be installed indoor and outdoor :

- IP 66 (closed)
- IP 55 (with cable exit accessory)

2 versions :

- with removable lid
- with hinged lid

2 finishing :

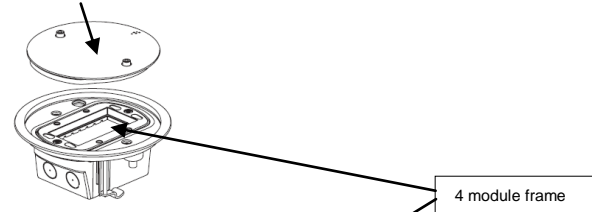
- brass
- stainless

Support frame for Mosaic program or Arteor mechanisms

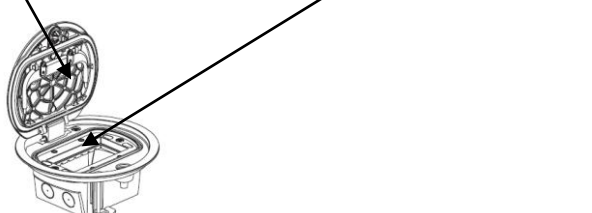
Cat. Nos	Description	Packaging
0 880 69	Back box	1
0 880 62	Cable exit	1
0 880 60	Box with removable lid, brass finish	1
0 880 61	Box with removable lid, stainless steel finish	1
0 880 63	Box with hinged lid, brass finish	1
0 880 64	Box with hinged lid, stainless steel finish	1

Small floor box delivered with :

- removable lid

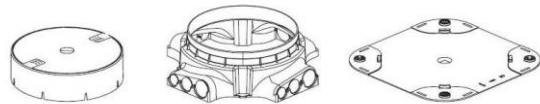


- or
- hinged lid



1. RANGE (cont.)

Backbox

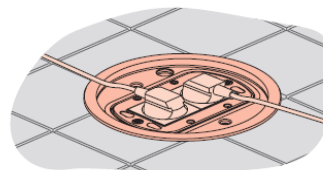


Cable exit accessory

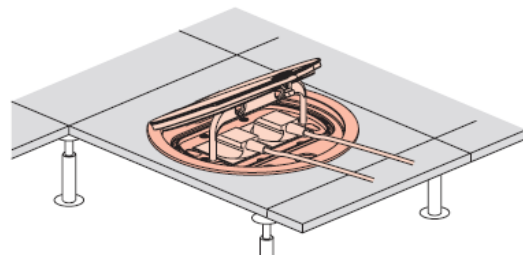


2. INSTALLATION : 2 ways

In screed



In raised



2. INSTALLATION

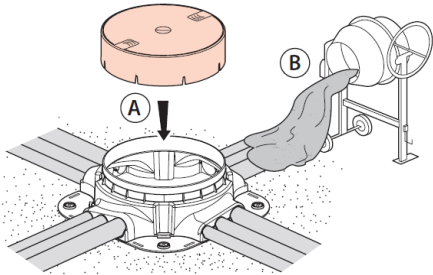
2.1 In screed (with backbox nr 0 880 69)

- min concrete thickness = 65 mm

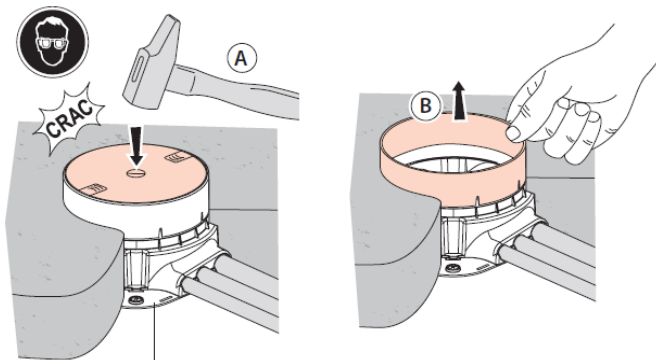
The back box can be use in concrete with pipes diameter 16,20 and 25 mm.

The backbox is provided with a protection cover

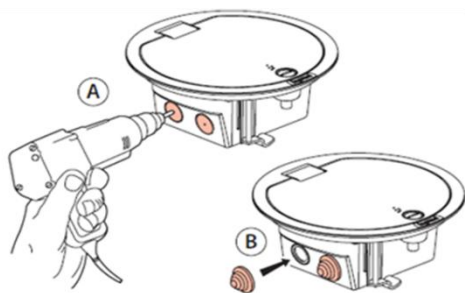
(1) Is it mandatory to close the backbox with the protection (A) when the concrete is poured (B) to avoid concrete to enter in the backbox



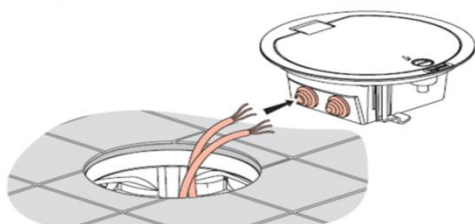
(2) Before installation of the back box, broke the protection cover (A) , and remove the last plastic parts (B)



(3) Drill the back of the floor box at 20mm (A) and add the cable protection (B)



4) Place the cable in the cable protection



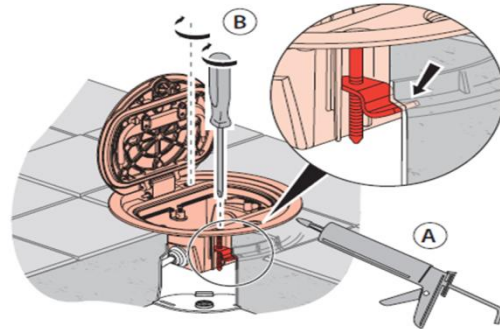
2. INSTALLATION (cont.)

2.1 In screed

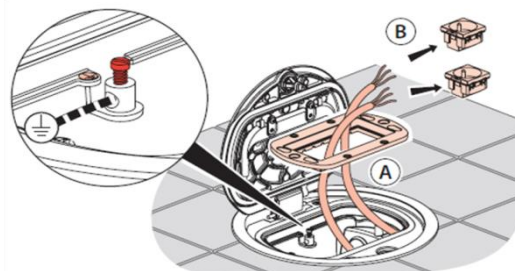
(5) Place the floorbox in the backbox.

Had a silicon seal between the box and the floor

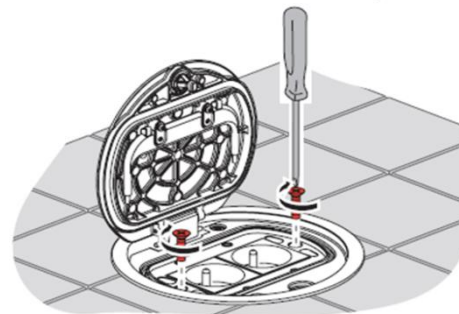
Screw the claws (B)



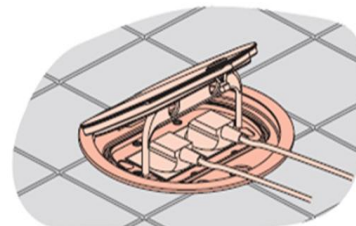
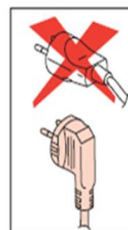
(6) Connect the mechanism with the cable. Don't forget the earth link.



(7) Screw the support frame to the box



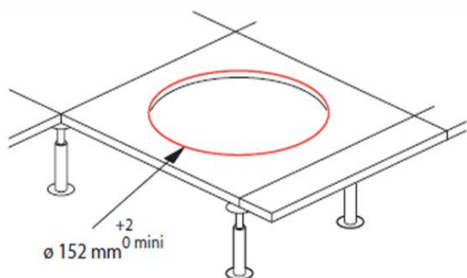
8) Right socket are not compatible with hinged lid



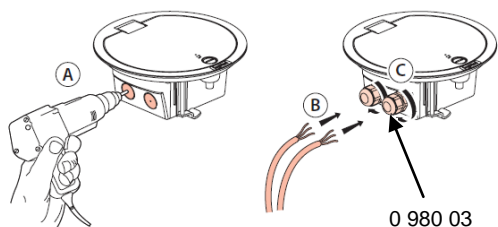
2. INSTALLATION (cont.)

2.2 In raised

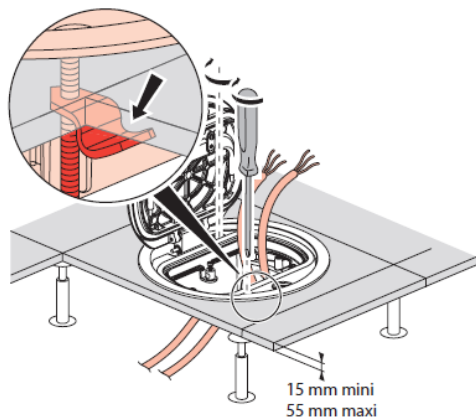
(1) Cut the raised floor at the following dimension :



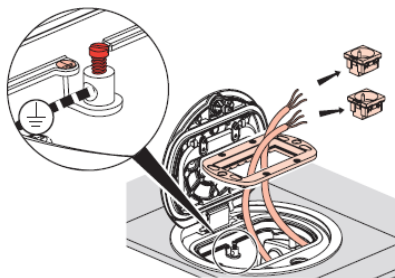
(2) Drill the back of the box at the right diameter according the cable gland. The cable gland had to be well adapted to the cable. Introduce the cables in the cable gland.



(3) Install the box in the raised floor. Screw the claws



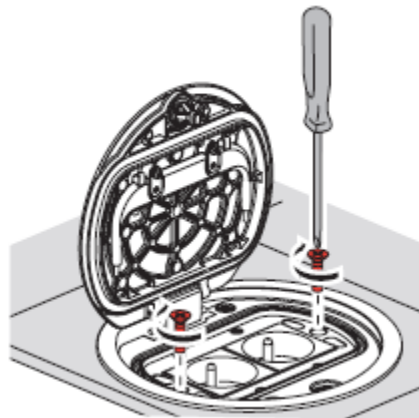
(4) Connect the mechanism with the cable. Don't forget the earth link



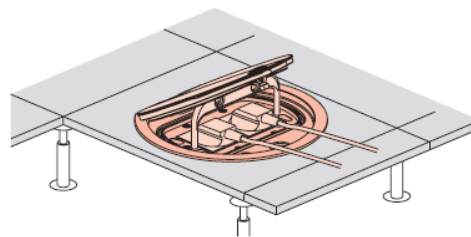
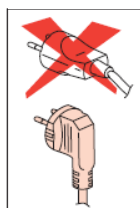
2. INSTALLATION (cont.)

2.2 In raised

(5) Screw the support frame to the box

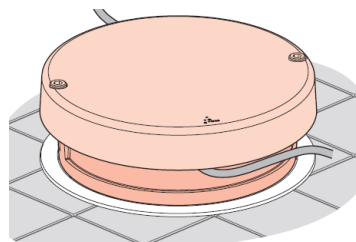


(6) Right socket are not compatible with hinged lid



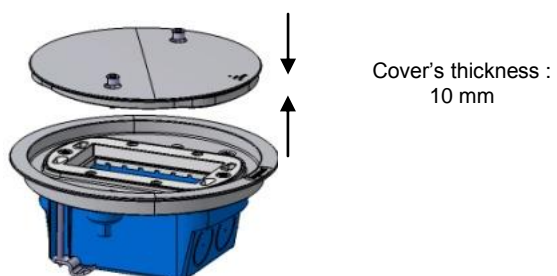
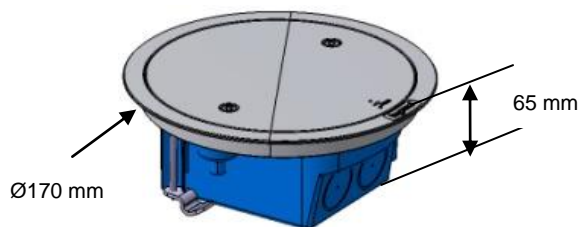
2.3 In raised and in screed

IP 55 with plug connected using cable outlet accessory cat. No 0 880 62 only on small floor boxes cat. Nos 0 880 60 or 0 880 61

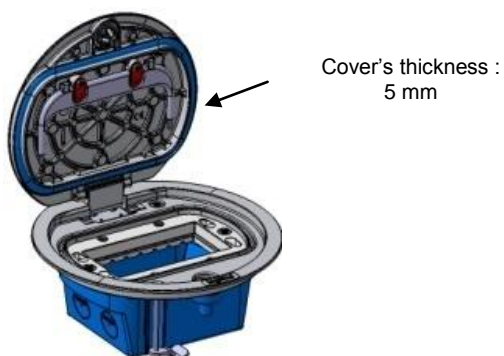
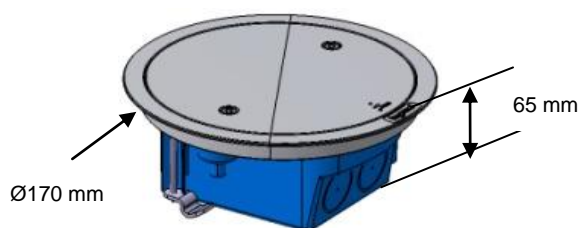


3. TECHNICAL CHARACTERISTICS

Dimensions of the small floor box Cat. Nos 0 880 60/61

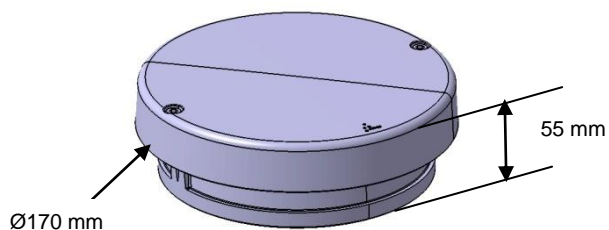


Dimensions of the small floor box Cat. Nos 0 880 63/64

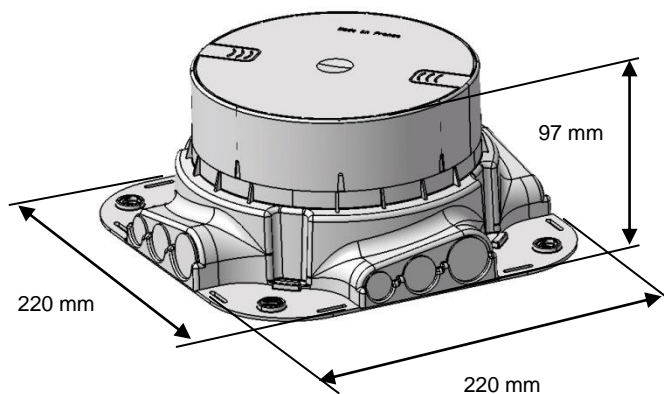


3. TECHNICAL CHARACTERISTICS (cont.)

Dimensions of IP55 accessory Cat. No 0 880 62



Dimensions of backbox Cat. No 0 880 69



3. TECHNICAL CHARACTERISTICS (cont.)

3.1 Classification of the IP66 Floor boxes 4 modules according to the IEC 60670-1 et IEC 60670-23 standard :

7.1 The nature of their material	Composite
7.2 The method of installation	Flush, semi-flush or embedded in non-combustible floors Placement suitable for installation into concrete during the casting process Floor boxes or enclosures installed in floor subjected to wet treatment
7.3 The type of inlets (outlets)	Without inlets. Inlet openings will be made during installation
7.4 The clamping means	Without clamping means
7.5 The minimum and maximum temperatures during installation	-5°C to +60°C
7.6 The maximum temperature during the casting process	+60°C
15.101 Resistance to vertical load through a small surface	500 N

3.2 Protection class :

Protection to **IP 66** with the cover closed

Protection to **IP 40** with the cover opened

Resistance to impacts **IK 09** with the cover closed

Resistance to loads with the cover closed : **10000 N**

with the hinged cover opening : **1700 N** (Protection of the inserted plugs from traffic load)

Self-extinguishing : + 650° C / 30 s for parts made of insulating materials

The inlets of conduits or cables are marking for a easier installation

3.3 Safety :

Check that the system is earthed

3.4 Cleaning :

Do not use abrasive products or detergents

4. MATERIAL CHARACTERISTICS

The IP66 Floor boxes are :

* Surface treatment : Stainless steel finish or Bronze finish

* Material Zamak

*Plastic materials : ABS et PP

The backbox is :

* Plastic materials : ABS et PP