

Insulating cable tray **66**  
in **U23X**

# Insulating cable tray **66** in **U23X**

For support, protection and conduction of cables

- **Suitable for outdoor use.**
- **Resistance to corrosion.**
- Designed to support full load.
- Continuous or perforated base.

## Raw material

**U23X** Cable trays and elements | Compliant 

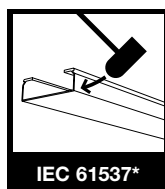
### Safety

#### Electrical



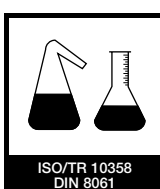
- Insulating material
- No earthing required

#### Mechanical



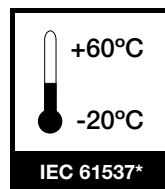
- **20J at -20°C** (except 60x75: 5 J and 60x100: 10 J)
- **IK10** acc./EN 50085-1

#### Corrosion



- Good resistance to corrosion and to chemical agents

#### Service temperature



IEC 61537\*

#### Outdoors



ANSI/UL 568

#### In front of fire

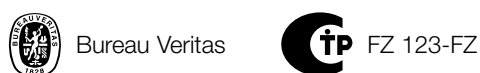


- Glow-wire test at **960°C**
- Non-flame propagator
- Reaction to fire, Class M1 acc./UNE 23727:1990

### Quality marks



### Approvals



### Conformity declaration



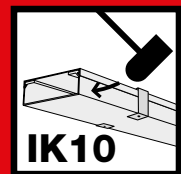
Insulating cable tray **66** ►

Length: 3 m

 Grey RAL 7035

See updated information of each part number on [www.unex.net](http://www.unex.net)

\* The values indicated according to IEC 61537 have been tested under the equivalent standard EN 61537. BS EN 61537 is the UK implementation of EN 61537 and IEC 61537.











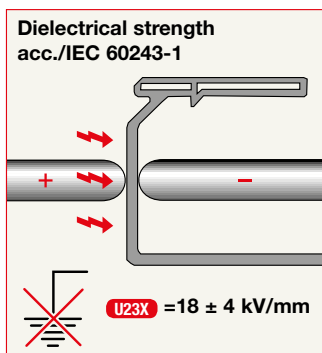
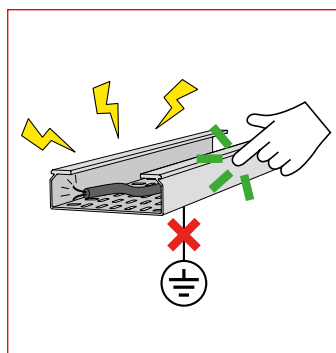
# Safety for persons and cables

**Reduces the risk of indirect contacts. Maximum protection for people and cables.**

Complies with European Directive 2006/95/EU. Cable conduction system in insulating material.

Insulating cable tray according to IEC 61537\*

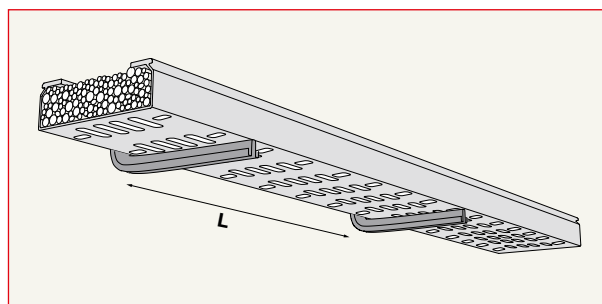
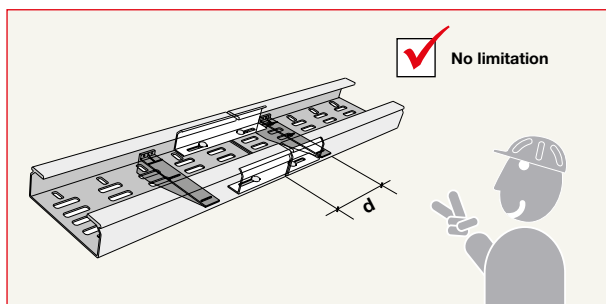
Insulating cable tray with cover (insulating trunking) acc. to EN 50085-1\*



- Maximum protection against indirect contacts:
  - No earthing
  - No maintenance
- Maximum protection against direct contacts:
  - Insulating enclosure
  - Protection degree IP3X/IP2X (with cover)
- Maximum protection against installing faults:
  - Avoids creepage towards the conducting element
  - Prevents short-circuits
  - Avoids electrical arcs
  - Possible sources of fire are reduced

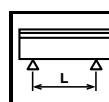
Designed to work at 100% cable capacity

**Safe working load test Type I**  
acc./IEC 61537\*: 2006



- Longitudinal deflection <1% and transverse deflection <5%
- Safety coefficient **1,7**

Allows placing the junctions at any point between two brackets, assuring the safe admissible load.



	<b>U23X</b>	
Temperature	40°C	60°C
Distance between brackets (L)	1,5 m	1 m

Safe working load (SWL) in kg/m or N acc/ IEC 61537\*: 2006

Sizes (mm)	60x75	60x100	60x150	60x200	60x300	60x400	100x200	100x300	100x400	100x500	100x600
Safe working load (Kg/m) SWL	7,9	10,8	16,6	22,5	33,7	45,6	37,6	57,3	77,2	96,6	116,5
Safe working load (N) SWL	78	105	162	220	330	446	369	561	756	946	1141

High impact absorption

**Impact test acc./IEC 61537\*: 2006**  
**at the minimum declared temperature**

Unex designs its cable trays to avoid impact damage at their lowest declared temperature (-20°C)

Impact resistance	Minimum temperature
20 J	-20° C

Except Part numbers 66090/1 (5 J)  
and 66100/1 (10 J)



\* BS EN 61537 is the UK implementation of EN 61537 and IEC 61537.  
\* BS EN 50085-1 is the UK implementation of EN 50085-1.

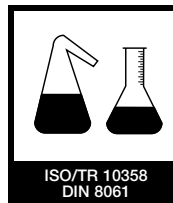


## Good resistance to corrosion

The raw material assures excellent behaviour in front of corrosion; **this feature is inherent, it is not achieved by applying a coating to the final product.**

Therefore, the corrosion protection remains unchanged:

- In the course of time.
- After cutting and manual processing the material in the worksite.



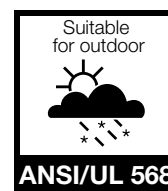
**Good resistance to corrosion and to chemical agents**

ISO/TR 10358  
DIN 8061

## Outdoor behaviour

Unex insulating cable trays are designed to assure a good protection against the UVs.

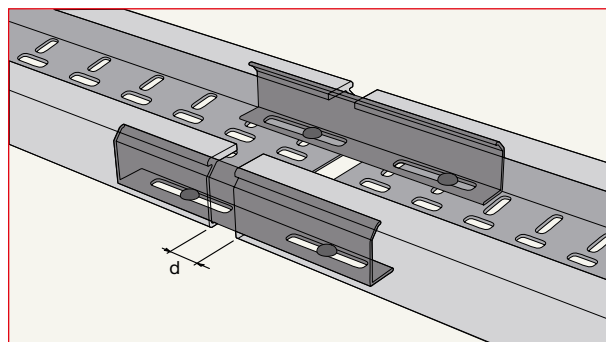
- Own raw material formulation, suitable for UV exposure.
- Junction system designed to absorb linear expansion.
- Due to the **linear expansion coefficient** of trays and covers, the “d” distance between two lengths varies depending on the difference between the maximum temperature and the installation temperature.



ANSI/UL 568

Separation between lengths	
$\Delta T$ (°C)	d (mm)
20	5
30	7
40	9
50	11

$\Delta T = T_{\max} - T_{\text{inst}}$



Coefficient of linear expansion: 0,07 mm/°C m

## Our own formulation of the raw material, designed to obtain better results than standard ones

Unex cable tray passes the flammability and flame-propagation tests included in IEC 61537\* with the best classification required from organic materials.

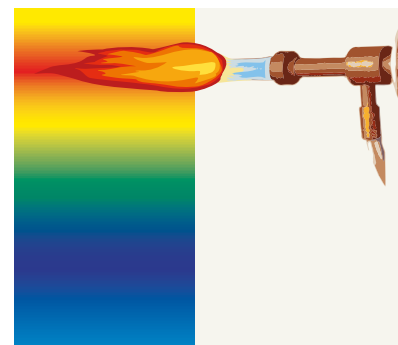


**Glow-wire test IEC 61537\***  
Test measuring the material's flammability by overheating a conductor.



**Non-flame propagator IEC 61537\***  
Test measuring flame spread caused by electrical ignition sources.

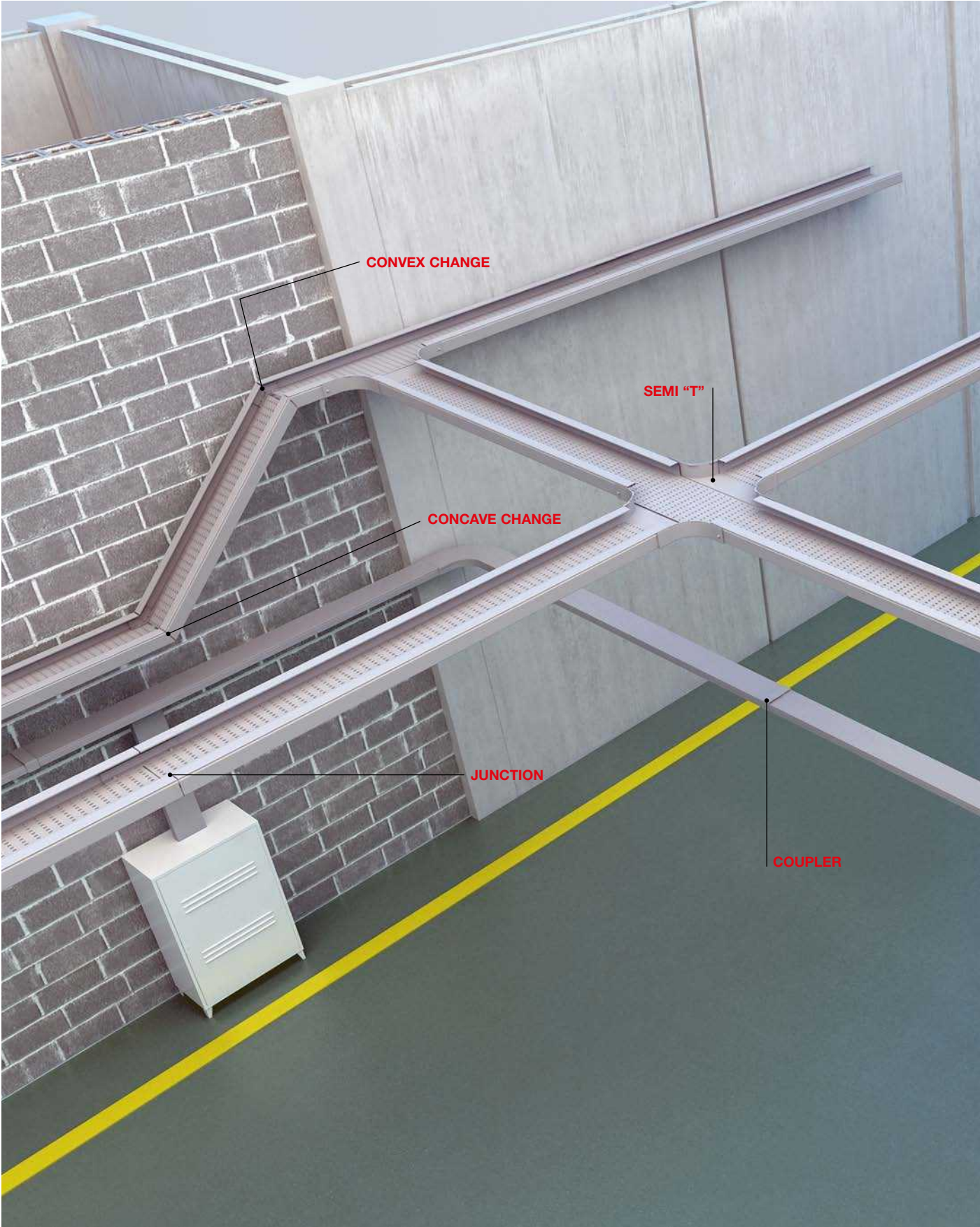
UL flammability test on plastic materials **UL94: V0.**

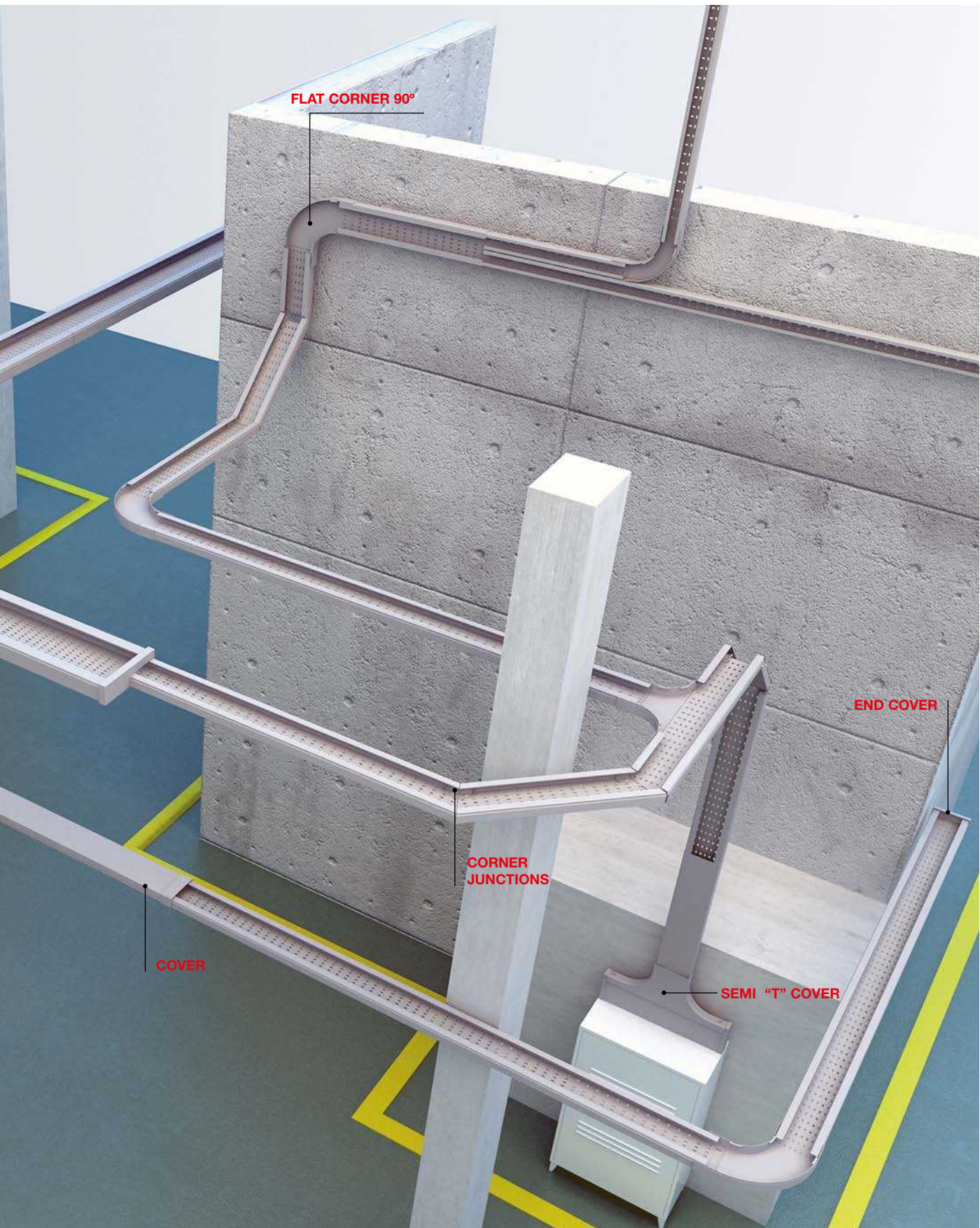


**No heat propagation**  
As a result of the low thermal conductivity of insulating materials, no hot spots are generated away from the fire source.

# Safe, easy and quick mounting

Elements for cable conduction





# Supporting elements

Safe, easy and quick mounting

	<b>U23X</b>	
Temperature	40°C	60°C
Distance between brackets (L)	1,5 m	1 m

## Wall

Directly (1 level)




**Horizontal supports** in:

- **U23X** insulating.
- SST. AISI 304 with grey epoxy coating.
- Galvanized steel with grey epoxy coating.

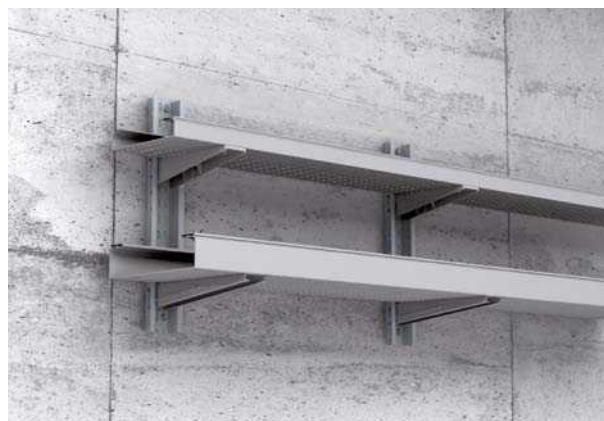
**L bracket** in:

- Steel sendzimir.
- Galvanized steel with grey epoxy coating.



**Insulating vertical support** in **U23X**   
Just one piece: added safety.

By means of a profile (several levels)



**Perforated U profile** in:

- **U23X** (insulating).
- With insulating horizontal supports in **U23X**.

**Perforated Omega profile** in:

- SST. AISI 304 with grey epoxy coating.
  - Galvanized steel with grey epoxy coating
- With horizontal supports **U23X** and/or metallic.

## Ceiling



### Two L brackets in:

- Steel sendzimir.
- Galvanized steel with grey epoxy coating.



### Metallic perforated U profile in:

- SST. AISI 304 with grey epoxy coating.
  - Galvanized steel with grey epoxy coating.
- With insulating horizontal supports **U23X**.



### Metallic perforated Omega profile in:

- SST. AISI 304 with grey epoxy coating.
  - Galvanized steel with grey epoxy coating.
- With horizontal supports **U23X** and/or metallic.



## Floor



**Insulating vertical support** in **U23X**

Just one piece: added safety.

### **WARNING:**

Trays must be fixed to the insulating vertical supports by means of metal screws in every mounting layout.

# Insulating cable tray 66 in U23X

Cable tray 66		Cable tray sizes (mm)	60x75	60x100	60x150	60x200
Colour Grey RAL 7035 <input type="checkbox"/>						
1		<b>Perforated cable tray</b> 3 m	<b>66090</b>	<b>66100</b>	<b>66150</b>	<b>66200</b>
2		<b>Continuous cable tray</b> 3 m	<b>66091</b>	<b>66101</b>	<b>66151</b>	<b>66201</b>
3		<b>Cover</b> 3 m	<b>66072</b>	<b>66102</b>	<b>66152</b>	<b>66202</b>
<b>Junction parts in U23X</b>						
4		<b>Junction with bolt</b>			<b>66824</b>	
5		<b>Bolts</b>			<b>66832</b>	
6		<b>Junction without bolt</b>			<b>66825</b>	
37		<b>Nuts and bolts</b> (M8 DIN 603 ISO 8677)			<b>66809</b>	
<b>Cable conduction parts in U23X</b>						
7		<b>Divider</b> 3 m			<b>66821</b>	
37		<b>Nuts and bolts</b> (M8 DIN 603 ISO 8677)			<b>66809</b>	
8		<b>Reinforced divider</b> 3 m			<b>66826</b>	
37		<b>Nuts and bolts</b> (M8 DIN 603 ISO 8677)			<b>66809</b>	
9		<b>Divider fixing for telecommunications</b>			<b>66840 (2)</b>	
10		<b>Divider</b> 3 m			<b>73830</b>	
<b>Connection and branch box in U24X</b>						
11		<b>Connection and branch box</b> 110x150x74			<b>73461-04</b>	

(1) As an alternative for metallic nuts and bolts and plugs, when insulating protection is required, use part numbers 66829 Hexagonal nuts and bolts AISI 304 (M8 x 25 ISO EN 4017) + 66819 Insulating protector for plugs (compatible with hexagonal nuts and bolts M8 ISO EN 4017).














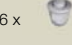
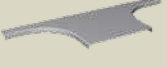

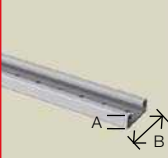
(2) Only for perforated trays.

60x300	60x400	100x200	100x300	100x400	100x500	100x600
<b>66300</b>	<b>66400</b>	<b>66220</b>	<b>66320</b>	<b>66420</b>	<b>66520</b>	<b>66620</b>
<b>66301</b>	<b>66401</b>	<b>66221</b>	<b>66321</b>	<b>66421</b>	<b>66521</b>	<b>66621</b>
<b>66302</b>	<b>66402</b>	<b>66202</b>	<b>66302</b>	<b>66402</b>	<b>66502</b>	<b>66602</b>
<b>66824</b>		<b>66834</b>				
<b>66832</b>						
<b>66825</b>		<b>66835</b>				
+		+				
<b>66809</b>		<b>66839 (1)</b>				
<b>66821</b>		<b>66831</b>				
+		+				
<b>66809</b>		<b>66839 (1)</b>				
<b>66826</b>		<b>66836</b>				
+		+				
<b>66809</b>		<b>66839 (1)</b>				
<b>66840 (2)</b>						
+						
<b>73830</b>						
<b>73461-04</b>						



See next page

# Insulating cable tray 66 in **U23X**

Cable tray <b>66</b>		Cable tray sizes (mm)	60x75	60x100	60x150	60x200
Colour Grey RAL 7035 						
<b>1</b>		<b>Perforated cable tray</b> 3 m	<b>66090</b>	<b>66100</b>	<b>66150</b>	<b>66200</b>
<b>2</b>		<b>Continuous cable tray</b> 3 m	<b>66091</b>	<b>66101</b>	<b>66151</b>	<b>66201</b>
<b>Cable conduction parts in <b>U23X</b></b>						
<b>12</b>		<b>Flat corner 90°</b>	<b>66060</b>	<b>66110</b>	<b>66160</b>	<b>66210</b>
<b>37</b>	 4 x	<b>Nuts and bolts</b> (M8 DIN 603 ISO 8677)	<b>66809</b>			
<b>13</b>		<b>Flat corner cover 90°</b>	<b>66061</b>	<b>66111</b>	<b>66161</b>	<b>66211</b>
<b>14</b>		<b>End cover</b>	<b>66093</b>	<b>66113</b>	<b>66163</b>	<b>66213</b>
<b>15</b>		<b>Coupler</b>	<b>66094</b>	<b>66114</b>	<b>66164</b>	<b>66214</b>
<b>16</b>		<b>Semi "T"</b>	<b>66078</b>	<b>66128</b>	<b>66178</b>	<b>66228</b>
<b>37</b>	 6 x	<b>Nuts and bolts</b> (M8 DIN 603 ISO 8677)	<b>66809</b>			
<b>17</b>		<b>Semi "T" cover</b>	<b>66079</b>	<b>66129</b>	<b>66179</b>	<b>66229</b>
<b>18</b>		<b>Cover fixing IK10</b>	<b>66845</b>			
<b>19</b>		<b>Teleraill</b> 2 m	<b>6035</b>			
		A = 14 B = 36	<b>6050</b>			
		A = 18 B = 50				

(1) As an alternative for metallic nuts and bolts and plugs, when insulating protection is required, use part numbers 66829 Hexagonal nuts and bolts AISI 304 (M8 x 25 ISO EN 4017) + 66819 Insulating protector for plugs (compatible with hexagonal nuts and bolts M8 ISO EN 4017).  
 (2) Part numbers 66328, 66348, 66428, 66448, 66548 and 66648 require 8 screws to fix to the cable trays.



60x300	60x400	100x200	100x300	100x400	100x500	100x600
<b>66300</b>	<b>66400</b>	<b>66220</b>	<b>66320</b>	<b>66420</b>	<b>66520</b>	<b>66620</b>
<b>66301</b>	<b>66401</b>	<b>66221</b>	<b>66321</b>	<b>66421</b>	<b>66521</b>	<b>66621</b>
<b>66310</b>	<b>66410</b>	<b>66230</b>	<b>66330</b>	<b>66430</b>	<b>66530</b>	<b>66630</b>
+		+				
<b>66809</b>		<b>66839 (1)</b>				
<b>66311</b>	<b>66411</b>	<b>66211</b>	<b>66311</b>	<b>66411</b>	<b>66511</b>	<b>66611</b>
<b>66313</b>	<b>66413</b>	<b>66233</b>	<b>66333</b>	<b>66433</b>	<b>66533</b>	<b>66633</b>
<b>66314</b>	<b>66414</b>	<b>66234</b>	<b>66334</b>	<b>66434</b>	<b>66534</b>	<b>66634</b>
<b>66328 (2)</b>	<b>66428 (2)</b>	<b>66248</b>	<b>66348 (2)</b>	<b>66448 (2)</b>	<b>66548 (2)</b>	<b>66648 (2)</b>
+		+				
<b>66809</b>		<b>66839 (1)</b>				
<b>66329</b>	<b>66429</b>	<b>66229</b>	<b>66329</b>	<b>66429</b>	<b>66529</b>	<b>66629</b>
<b>66845</b>		<b>66855</b>				
<b>6035</b>						
<b>6050</b>						

See next page

# Insulating cable tray 66 in **U23X**

Cable tray <b>66</b>		Cable tray sizes (mm)	60x75	60x100	60x150	60x200
Colour Grey RAL 7035 <input type="checkbox"/>						
1		<b>Perforated cable tray</b> 3 m	<b>66090</b>	<b>66100</b>	<b>66150</b>	<b>66200</b>
2		<b>Continuous cable tray</b> 3 m	<b>66091</b>	<b>66101</b>	<b>66151</b>	<b>66201</b>
<b>Other junction parts in <b>U23X</b> and <b>U24X</b></b>						
20		<b>Base unions</b> Limiting the transversal cable sag. Note: 2 screws are included.				
21	1 x	<b>Corner junctions</b> Mounting corners Note: A unit is composed by a set of 2 pieces (internal and external).			<b>66841</b>	
37	4 x	<b>Nuts and bolts</b> (M8 DIN 603 ISO 8677)			<b>66809</b>	
22	2 x	<b>Convex change</b> - 45° level-changing			<b>66842</b>	
37	4 x	<b>Nuts and bolts</b> (M8 DIN 603 ISO 8677)			<b>66809</b>	
23	2 x	<b>Concave change</b> + 45° level-changing			<b>66843</b>	
37	4 x	<b>Nuts and bolts</b> (M8 DIN 603 ISO 8677)			<b>66809</b>	
24	2 x	<b>Vertical hinge</b> Variable-angle level changing			<b>66813</b>	
37	8 x	<b>Nuts and bolts</b> (M8 DIN 603 ISO 8677)			<b>66809</b>	
25	2 x	<b>Horizontal hinge</b> <b>U24X</b>			<b>66844</b>	
37	4 x	<b>Nuts and bolts</b> (M8 DIN 603 ISO 8677)			<b>66809</b>	

(1) As an alternative for metallic nuts and bolts and plugs, when insulating protection is required, use part numbers 66829 Hexagonal nuts and bolts AISI 304 (M8 x 25 ISO EN 4017) + 66819 Insulating protector for plugs (compatible with hexagonal nuts and bolts M8 ISO EN 4017).
















60x300	60x400	100x200	100x300	100x400	100x500	100x600
<b>66300</b>	<b>66400</b>	<b>66220</b>	<b>66320</b>	<b>66420</b>	<b>66520</b>	<b>66620</b>
<b>66301</b>	<b>66401</b>	<b>66221</b>	<b>66321</b>	<b>66421</b>	<b>66521</b>	<b>66621</b>

<b>66820</b>		<b>66820</b>	<b>66830</b>
<b>66841</b>		<b>66851</b>	
+		+	
<b>66809</b>		<b>66839 (1)</b>	
<b>66842</b>		<b>66852</b>	
+		+	
<b>66809</b>		<b>66839 (1)</b>	
<b>66843</b>		<b>66853</b>	
+		+	
<b>66809</b>		<b>66839 (1)</b>	
<b>66813</b>		<b>66833</b>	
+		+	
<b>66809</b>		<b>66839 (1)</b>	
<b>66844</b>		<b>66854</b>	
+		+	
<b>66809</b>		<b>66839 (1)</b>	

See next page








# Insulating cable tray 66 in **U23X**


## Parts for direct wall fixing (one level)

Cable tray <b>66</b>		Cable tray sizes (mm)	60x75	60x100	60x150	60x200
Colour Grey RAL 7035 						
1		<b>Perforated cable tray</b> 3 m	<b>66090</b>	<b>66100</b>	<b>66150</b>	<b>66200</b>
2		<b>Continuous cable tray</b> 3 m	<b>66091</b>	<b>66101</b>	<b>66151</b>	<b>66201</b>
<b>Parts for direct wall fixing (one level) in <b>U23X</b> and steel</b>						
26		<b>U23X</b> <b>Insulating</b>	<b>66103</b>		<b>66153</b>	<b>66203</b>
		<b>Horizontal support (1)</b> SST AISI 304 with grey epoxy coating  Galvanized steel with grey epoxy coating	+		+	+
37	2 x 	<b>Nuts and bolts</b> (M8 DIN 603 ISO 8677)		<b>66809</b>		
27		<b>U23X</b> <b>Insulating vertical support</b> Note: Use metal screws to fix the tray	<b>66075</b>		<b>66155</b>	<b>66205</b>
		<b>Nuts and bolts</b> (M8 DIN 603 ISO 8677) SST AISI 304	+		+	+
37	2 x 	<b>Nuts and bolts</b> (M8 DIN 603 ISO 8677)		<b>66839 (2)</b>		
28		Galvanized steel with grey epoxy coating	<b>66106</b>		<b>66206</b>	
		<b>"L" bracket</b>  Steel Sendzimir	<b>66107</b>		<b>66207</b>	
37	2 x 	<b>Nuts and bolts</b> (M8 DIN 603 ISO 8677)		<b>66809</b>		
38	2 x 	<b>Nuts and bolts</b> (M8x25 ISO EN 4017) SST AISI 304		<b>66829</b>		
39		<b>Insulating protector for plug</b> LDPE		<b>66819</b>		

(1) To mount sets to wall or ceiling with "U" and "Ω" see table pages 36-37.

(2) As an alternative for metallic nuts and bolts and plugs, when insulating protection is required, use part numbers 66829 Hexagonal nuts and bolts AISI 304 (M8 x 25 ISO EN 4017) + 66819 Insulating protector for plugs (compatible with hexagonal nuts and bolts M8 ISO EN 4017).

60x300	60x400	100x200	100x300	100x400	100x500	100x600
						
<b>66300</b>	<b>66400</b>	<b>66220</b>	<b>66320</b>	<b>66420</b>	<b>66520</b>	<b>66620</b>
<b>66301</b>	<b>66401</b>	<b>66221</b>	<b>66321</b>	<b>66421</b>	<b>66521</b>	<b>66621</b>
<b>66303</b>	<b>66403</b>	<b>66203</b>	<b>66323</b>	<b>66403</b>	<b>66503</b>	<b>66603</b>
+	+	+	+			
				<b>66423</b>	<b>66523</b>	<b>66623</b>
				<b>66424</b>	<b>66524</b>	<b>66624</b>
				+	+	+
<b>66809</b>	<b>66839 (2)</b>					
<b>66305</b>	<b>66405</b>	<b>66205</b>	<b>66305</b>	<b>66405</b>	<b>66605</b>	
+	+	+	+	+	+	
<b>66839 (2)</b>						
<b>66306</b>						
<b>66307</b>						
+						
<b>66809</b>						
<b>66829</b>						
+						
<b>66819</b>						

See next page 

# Insulating Cable tray 66 in **U23X**

Parts for wall fixing with profiles (several levels)

Cable tray <b>66</b>		Cable tray sizes (mm)	60x75	60x100	60x150	60x200
Colour Grey RAL 7035 <input type="checkbox"/>						
<b>1</b>		<b>Perforated cable tray</b> 3 m	<b>66090</b>	<b>66100</b>	<b>66150</b>	<b>66200</b>
<b>2</b>		<b>Continuous cable tray</b> 3 m	<b>66091</b>	<b>66101</b>	<b>66151</b>	<b>66201</b>

Parts for wall fixing with profiles (several levels) in **U23X** and steel

<b>35</b>		<b>U23X</b> <b>Insulating "U" profile</b> 2 m	<b>66806</b>		
<b>26</b>		<b>U23X</b> <b>Insulating horizontal support</b>	<b>66103</b>	<b>66153</b>	<b>66203</b>
<b>36</b>	 1 x	<b>Mounting pin</b> SST AISI 304	<b>66812</b>		
<b>37</b>	 2 x	<b>Nuts and bolts</b> (M8 DIN 603 ISO 8677)	<b>66809</b>		
<b>33</b>		SST AISI 304 with grey epoxy coating <b>L=0,50 m</b>	<b>66837</b>		
		Galvanized steel with grey epoxy coating	<b>66937</b>		
		SST AISI 304 with grey epoxy coating <b>L=3 m</b>	<b>66897</b>		
		Galvanized steel with grey epoxy coating	<b>66997</b>		
<b>26</b>		<b>U23X</b> <b>Insulating Horizontal support</b>	<b>66103</b>	<b>66153</b>	<b>66203</b>
<b>36</b>	 1 x	<b>Mounting pin</b> SST AISI 304	<b>66812</b>		
<b>37</b>	 2 x	<b>Nuts and bolts</b> (M8 DIN 603 ISO 8677)	<b>66809</b>		

(1) As an alternative for metallic nuts and bolts and plugs, when insulating protection is required, use part numbers 66829 Hexagonal nuts and bolts AISI 304 (M8 x 25 ISO EN 4017) + 66819 Insulating protector for plugs (compatible with hexagonal nuts and bolts M8 ISO EN 4017).  
 (2) Can be mounted with the mounting pin part no. 66812.






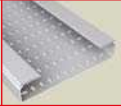

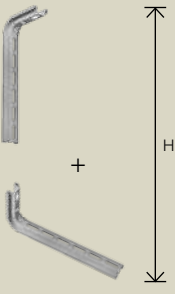


60x300	60x400	100x200	100x300	100x400	100x500	100x600
<b>66300</b>	<b>66400</b>	<b>66220</b>	<b>66320</b>	<b>66420</b>	<b>66520</b>	<b>66620</b>
<b>66301</b>	<b>66401</b>	<b>66221</b>	<b>66321</b>	<b>66421</b>	<b>66521</b>	<b>66621</b>

<b>66806</b>						
+	+	+	+			
<b>66303</b>	<b>66403</b>	<b>66203</b>	<b>66323</b>			
+						
<b>66812</b>						
+			+			
<b>66809</b>			<b>66839 (1)</b>			
<b>66837</b>						
<b>66937</b>						
<b>66897</b>						
<b>66997</b>						
+	+	+	+	+	+	+
<b>66303</b>	<b>66403</b>	<b>66203</b>	<b>66323</b>	<b>66403 (2)</b>	<b>66503 (2)</b>	<b>66603 (2)</b>
				+	+	+
				<b>66423</b>	<b>66523</b>	<b>66623</b>
				<b>66424</b>	<b>66524</b>	<b>66624</b>
+				+	+	+
<b>66812</b>				<b>66822</b>		
+						+
<b>66809</b>			<b>66839 (1)</b>			

See next page

# Insulating cable tray 66 in **U23X**

Mounting table for double "L" ceiling supports  
(Compatible with trays up to 60x300 mm)

Cable tray <b>66</b>		Cable tray sizes (mm)	60x75	60x100	60x150	60x200
Colour Grey RAL 7035 						
1		Perforated cable tray 3 m	<b>66090</b>	<b>66100</b>	<b>66150</b>	<b>66200</b>
2		Continuous cable tray 3 m	<b>66091</b>	<b>66101</b>	<b>66151</b>	<b>66201</b>
<b>Ceiling fixing parts in steel</b>						
28		"L" bracket + "L" bracket Galvanized steel with grey epoxy coating	<b>66106</b>		<b>66106</b>	
		H=150 mm	<b>66106</b>		<b>66206</b>	
		Steel Sendzimir	<b>66107</b>		<b>66107</b>	
			<b>66107</b>		<b>66207</b>	
		Galvanized steel with grey epoxy coating	<b>66206</b>		<b>66206</b>	
		H=250 mm	<b>66106</b>		<b>66206</b>	
		Steel Sendzimir	<b>66207</b>		<b>66207</b>	
			<b>66107</b>		<b>66207</b>	
		Galvanized steel with grey epoxy coating	<b>66306</b>		<b>66306</b>	
		H=350 mm	<b>66106</b>		<b>66206</b>	
		Steel Sendzimir	<b>66307</b>		<b>66307</b>	
			<b>66107</b>		<b>66207</b>	
38	2 x 	Nuts and bolts (M8x25 ISO EN 4017) SST AISI 304		<b>66829</b>		
37	2 x 	Nuts and bolts (M8 DIN 603 ISO 8677)		<b>66809</b>		



60x300	60x400	100x200	100x300	100x400	100x500	100x600
						
<b>66300</b>	<b>66400</b>	<b>66220</b>	<b>66320</b>	<b>66420</b>	<b>66520</b>	<b>66620</b>
<b>66301</b>	<b>66401</b>	<b>66221</b>	<b>66321</b>	<b>66421</b>	<b>66521</b>	<b>66621</b>



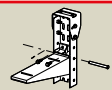






<b>66106</b>	
+	
<b>66306</b>	
<b>66107</b>	
+	
<b>66307</b>	
<b>66206</b>	
+	
<b>66306</b>	
<b>66207</b>	
+	
<b>66307</b>	
<b>66306</b>	
+	
<b>66306</b>	
<b>66307</b>	
+	
<b>66307</b>	
<b>66829</b>	
+	
<b>66809</b>	

# Insulating cable tray 66 in **U23X**





Mounting table for “U” perforated ceiling supports

(Compatible with trays up to 60x300 mm).

In installations with ceiling supports, the load calculations should be checked.

Perforated “U” profile				
				
Supporting elements				
			SST AISI 304 with grey epoxy coating	Galvanized steel with grey epoxy coating
29		“U” profile connector	66880	66980
	+		+	+
30		“U” profile L = 0,25 m	66808	66908
		“U” profile L = 0,50 m	66838	66938
		“U” profile L = 3 m	66898	66998
	+		+	+
31		“U” profile Protector PVC Plasticized	66902	
38	 4 x	Nuts and bolts (M8x25 ISO EN 4017) SST AISI 304	66829 (1)	
	+		+	
26		Insulating horizontal support	See table below for insulating supports (Compatible only with supports in <b>U23X</b> )	
	+		+	
36	 1 x	Mounting pin SST AISI 304	66812 (1)	

(1) 4 screws must be used to fix the connector to the profile. When no mounting pins are used, 2 additional screws are required to fix each horizontal support.

Cable tray <b>66</b>	Cable tray sizes (mm)	60x75	60x100	60x150	60x200
1 	Perforated cable tray 3 m	66090	66100	66150	66200
2 	Continuous cable tray 3 m	66091	66101	66151	66201
26 	<b>U23X</b> Insulating	66103		66153	66203
	Horizontal support SST AISI 304 with grey epoxy coating  Galvanized steel with grey epoxy coating	+		+	+
37  2 x	Nuts and bolts (M8 DIN 603 ISO 8677)	66809			

(3) As an alternative for metallic nuts and bolts and plugs, when insulating protection is required, use part numbers 66829 Hexagonal nuts and bolts AISI 304 (M8 x 25 ISO EN 4017) + 66819 Insulating protector for plugs (compatible with hexagonal nuts and bolts M8 ISO EN 4017).

## Mounting table for “Ω” perforated ceiling supports

(Compatible with all sizes of cable tray).

In installations with ceiling supports, the load calculations should

Perforated “Ω” profile				
Supporting elements				
		SST AISI 304 with grey epoxy coating	Galvanized steel with grey epoxy coating	
32		“Ω” profile connector	66890	66990
		+	+	
33		“Ω” profile L = 0,50 m	66837	66937
		“Ω” profile L = 3 m	66897	66997
		+	+	
34		“Ω” profile protector PVC Plasticized	66903	
			+	
38	6 x	Nuts and bolts (M8x25 ISO EN 4017) SST AISI 304	66829 (1)	
			+	
26		Horizontal support	See table below for horizontal supports	
			+	
36	1 x	Mounting pin SST AISI 304	66822 (1)(2)	


(1) 6 screws must be used to fix the connector to the profile. When no mounting pins are used, 2 additional screws are required to fix each horizontal support.

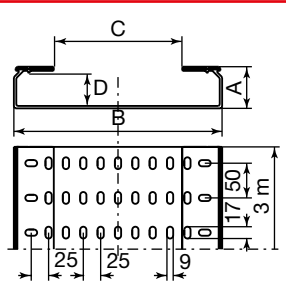
(2) In case of support in **U23X**, replace part no. 66822 by part no. 66812.

60x300	60x400	100x200	100x300	100x400	100x500	100x600
66300	66400	66220	66320	66420	66520	66620
66301	66401	66221	66321	66421	66521	66621
66303	66403	66203	66323	66403	66503	66603
				66423	66523	66623
				66424	66524	66624
				+	+	+
66809		66839 (3)				

# Sizes (mm)

### 1. Perforated cable tray




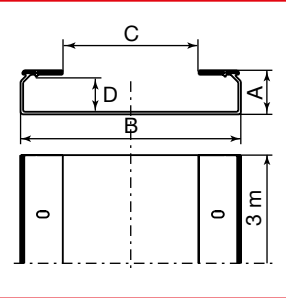


Part no.	Sizes mm				Pack
	A	B	C	D	
66090	60	75	31	47	24
66100	60	100	55	47	24
66150	60	150	93	48	12
66200	60	200	125	47	12
66300	60	300	187	47	12
66400	60	400	277	47	6
66220	100	200	123	81	6
66320	100	300	187	80	6
66420	100	400	272	81	6
66520	100	500	365	81	6
66620	100	600	445	81	6

Colour: Grey RAL 7035 Material: U23X

### 2. Continuous cable tray



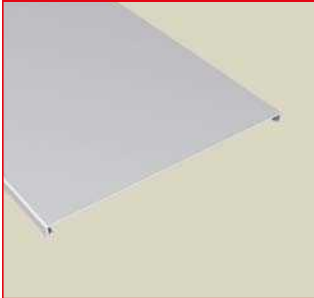


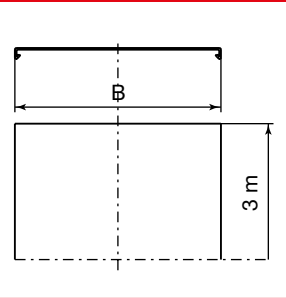
Part no.	Sizes mm				Pack
	A	B	C	D	
66091	60	75	31	47	24
66101	60	100	55	47	24
66151	60	150	93	48	12
66201	60	200	125	47	12
66301	60	300	187	47	12
66401	60	400	277	47	6
66221	100	200	123	81	6
66321	100	300	187	80	6
66421	100	400	272	81	6
66521	100	500	365	81	6
66621	100	600	445	81	6

Colour: Grey RAL 7035 Material: U23X

Note: The tray's ends are perforated (1 hole each side) in order to facilitate the mounting of the junctions.

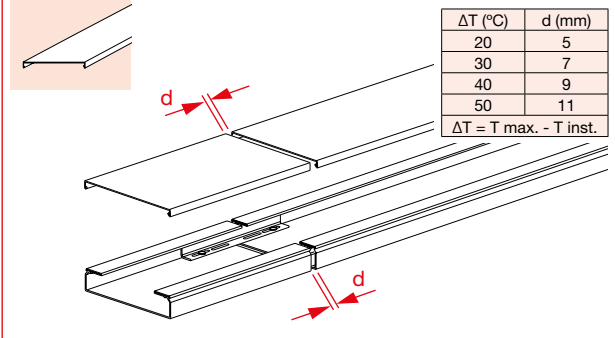
### 3. Cover





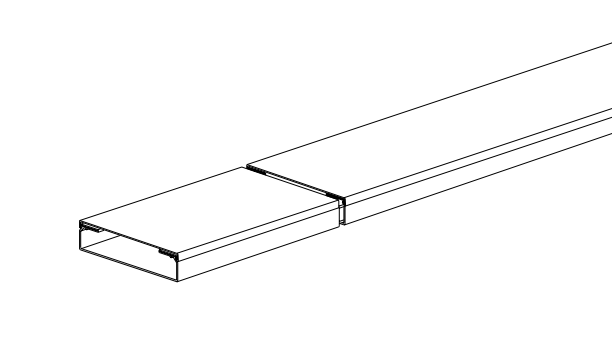
Part no.	Sizes mm	Application Cable tray	Pack
	A		
66072	75	60 x 75	24
66102	100	60 x 100	24
66152	150	60 x 150	12
66202	200	60 x 200	12
66302	300	100 x 200	12
		60 x 300	
66402	400	100 x 300	12
		60 x 400	
66502	500	100 x 400	12
66602	600	100 x 500	12
		100 x 600	

Colour: Grey RAL 7035 Material: U23X




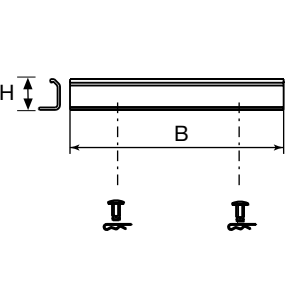
$\Delta T$ (°C)	d (mm)
20	5
30	7
40	9
50	11

$\Delta T = T_{max} - T_{inst.}$



### 4. Junction (with bolts)





Part no.	Sizes mm		Application Cable tray	Pack
	H	B		
66824	50,5	350	60 x 75	50
			60 x 100	
			60 x 150	
			60 x 200	
			60 x 300	
66834	86	500	60 x 400	20
			100 x 200	
			100 x 300	
			100 x 400	
			100 x 500	
			100 x 600	

Colour: Grey RAL 7035 Material: U23X

Note: 2 bolts are included

5. Bolts		Part no.	Pack
		66832	100
		Colour: Grey RAL 7035	Material: U23X Cramp: SST. AISI 304
Note: Recommended to avoid distortion, due to linear expansion in areas with temperature changes (f.ex. outdoor applications)			

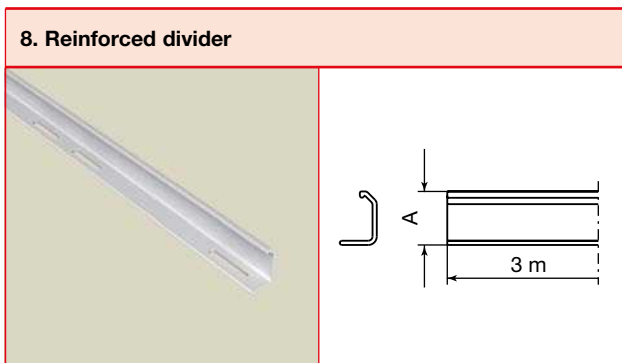
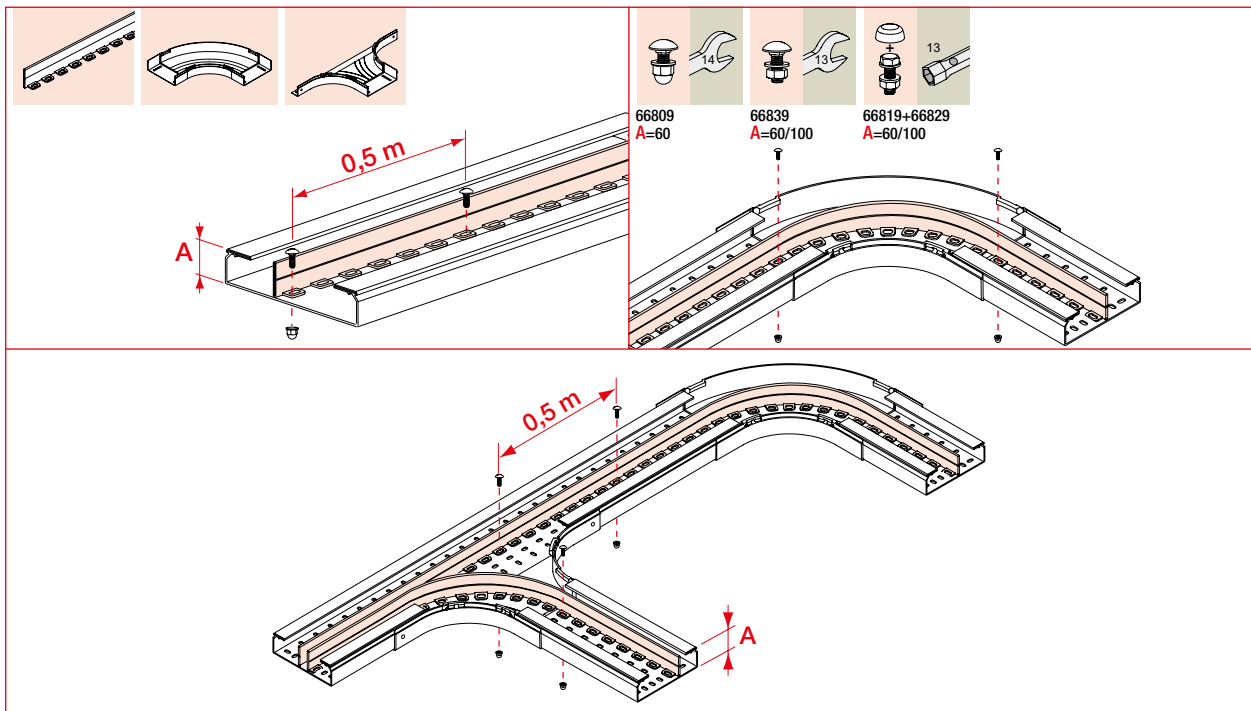
6. Junction (without bolts)		Part no.	Sizes mm	Application Cable tray	Pack
			H	B	pc.
		66825	50,5	350	60 x 75 60 x 100 60 x 150 60 x 200 60 x 300 60 x 400
66835	86	500	100 x 200 100 x 300 100 x 400 100 x 500 100 x 600	20	
		Colour: Grey RAL 7035	Material: U23X		

$\Delta T$ (°C)	d (mm)
20	5
30	7
40	9
50	11

$\Delta T = T \text{ max.} - T \text{ inst.}$

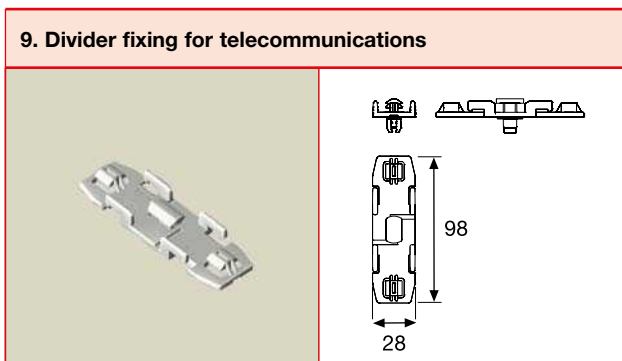
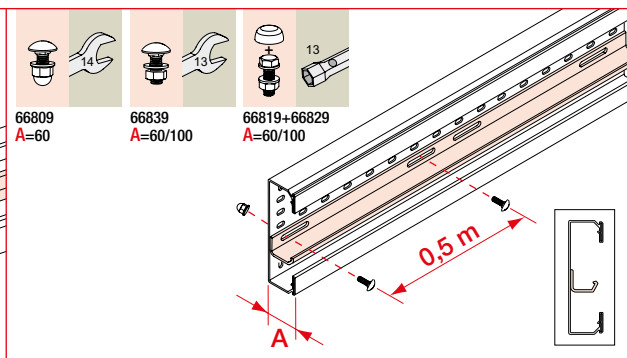
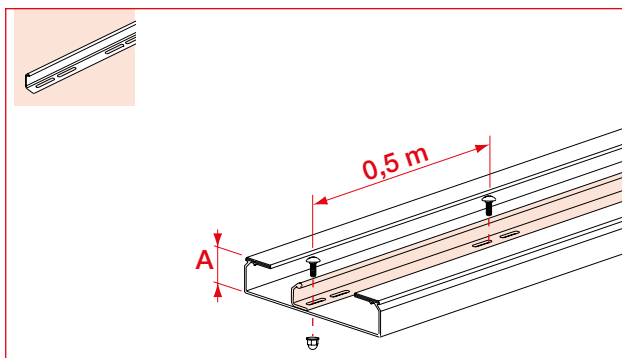
**⚠** The use of bolts part no. 66832 **U23X** is recommended for all junctions in order to avoid possible dilatations in areas submitted to temperature changes (i.e. outdoor applications). See dilatation coefficient in Technical data. For example,  $\Delta T = 15^\circ\text{C}$  provokes a dilatation of 1 mm/m of the cable tray.

7. Divider		Part no.	Sizes mm	Application Cable tray	Pack
			A		m
		66821	58	60 x 150 60 x 200 60 x 300 66 x 400	36
66831	96	100 x 200 100 x 300 100 x 400 100 x 500 100 x 600	36		
		Colour: Grey RAL 7035	Material: U23X		
Note: 2 screws per meter of divider.					



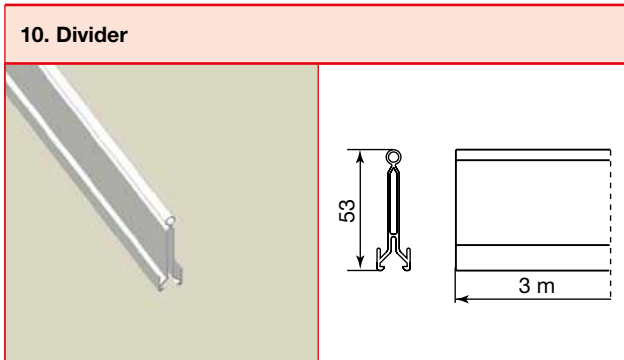
Part no.	Sizes mm A	Application Cable tray	Pack
			m
66826	50,5	60 x 150	36
		60 x 200	
		60 x 300	
		60 x 400	
66836	86	100 x 200	18
		100 x 300	
		100 x 400	
		100 x 500	
		100 x 600	

Colour: Grey RAL 7035  
Material: U23X  
Note: 2 screws per meter of divider.



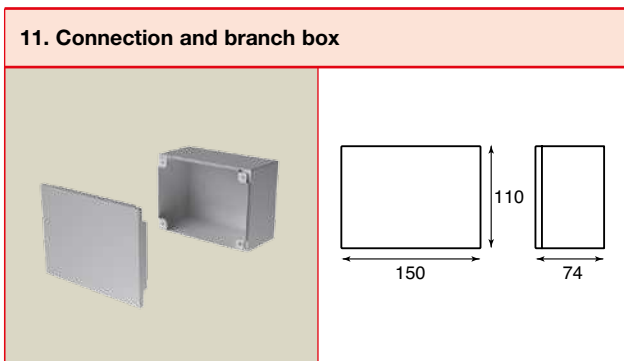
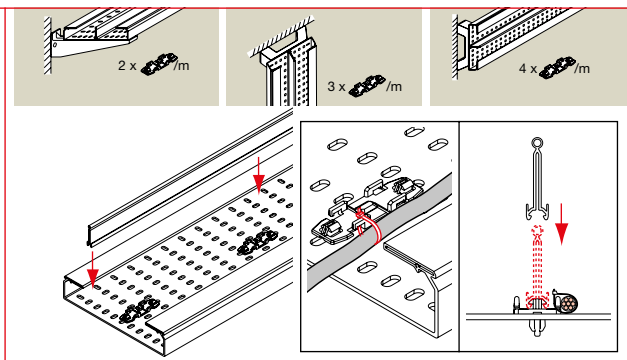
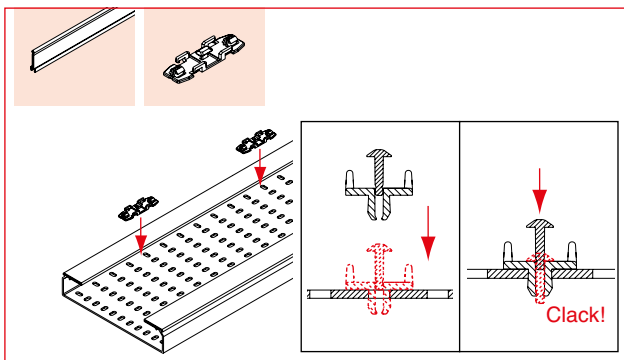
Part no.	Application Cable tray	Pack
		pc.
66840	60 x 100	50
	60 x 150	
	60 x 200	
	60 x 300	
	60 x 400	

Colour: Grey RAL 7035  
Material: U23X  
Note: Cables can be fixed with cable ties. Only compatible with perforated cable tray.



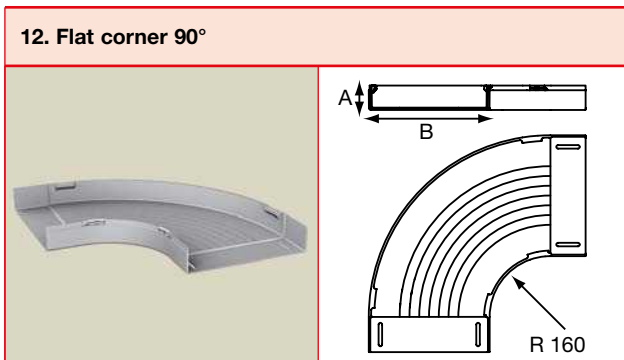
Part no.	Application Cable tray	Pack m
73830	60 x 100 60 x 150 60 x 200 60 x 300 60 x 400	72

Colour: Grey RAL 7035      Material: U23X



Part no.	Pack pc.
73461-04	6

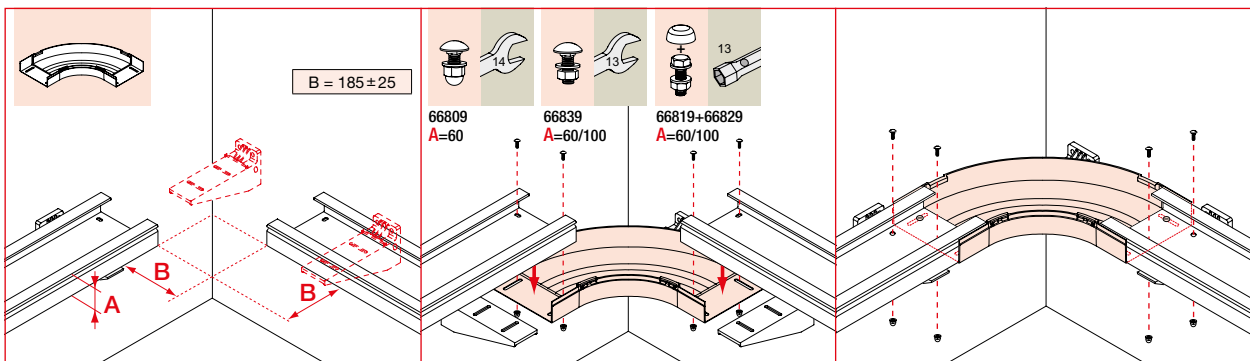
Colour: Grey RAL 7035      Material: U24X



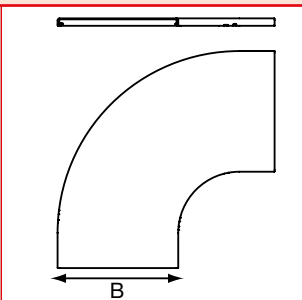
Part no.	Sizes mm		Application Cable tray	Pack pc.
	A	B		
66060	60	75	60 x 75	2
66110	60	100	60 x 100	2
66160	60	150	60 x 150	2
66210	60	200	60 x 200	2
66310	60	300	60 x 300	2
66410	60	400	60 x 400	1
66230	100	200	100 x 200	2
66330	100	300	100 x 300	2
66430	100	400	100 x 400	1
66530	100	500	100 x 500	1
66630	100	600	100 x 600	1

Colour: Grey RAL 7035      Material: U23X

Note: It is recommended to place supports under corners.



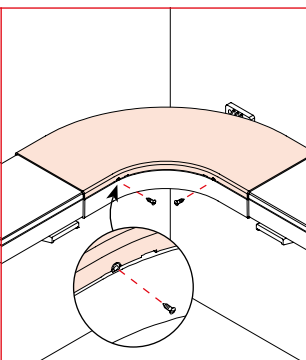
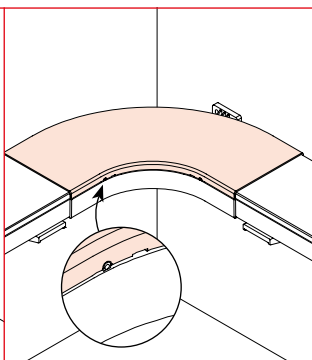
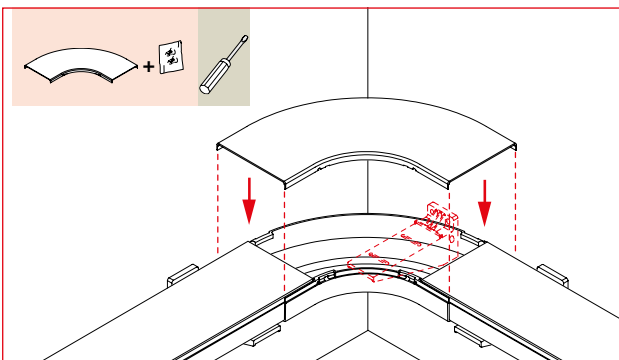
**13. Flat corner cover 90°**



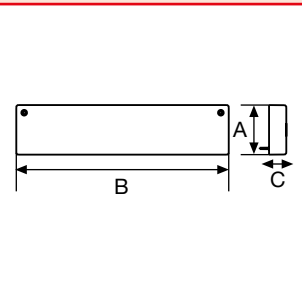
Part no.	Sizes mm		Application Flat corner 90°	Pack pc.
	B			
66061	75		66060	2
66111	100		66110	2
66161	150		66160	2
66211	200		66210	2
			66230	
66311	300		66310	2
			66330	
66411	400		66410	1
			66430	
66511	500		66530	1
66611	600		66630	1

Colour: Grey RAL 7035 Material: U23X

Note: 4 SST screws are included for optional cover fixing.



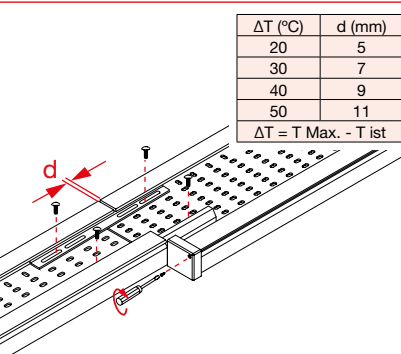
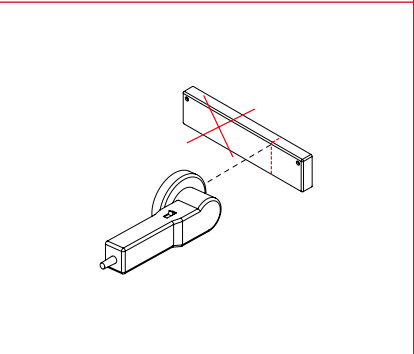
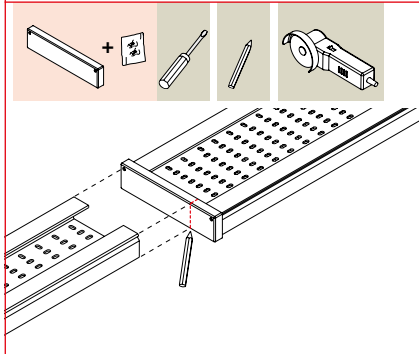
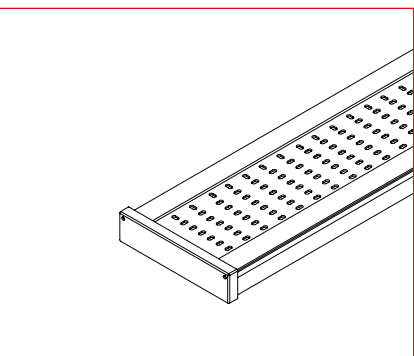
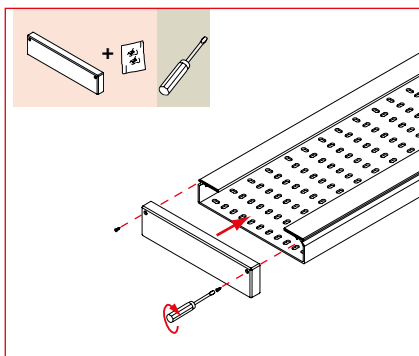
**14. End cover**



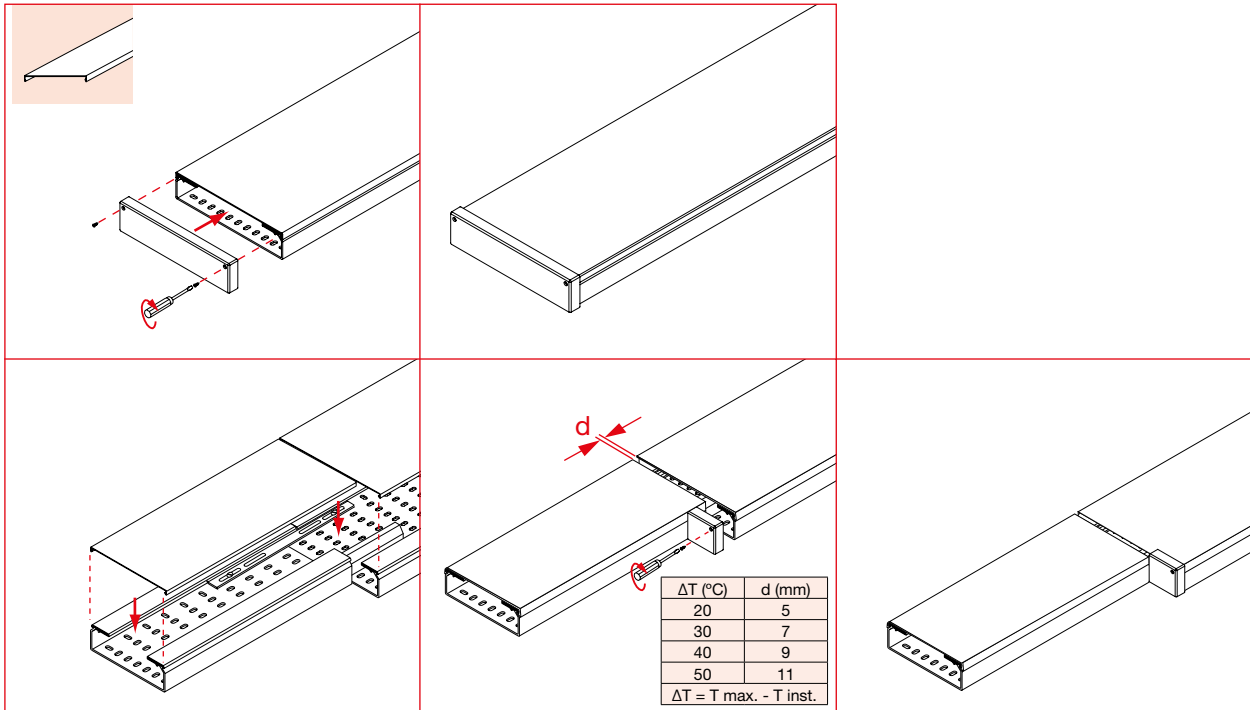
Part no.	Sizes mm			Application Cable tray	Pack pc.
	A	B	C		
66093	60	75	15	60 x 75	4
66113	60	100	15	60 x 100	4
66163	60	150	20	60 x 150	2
66213	60	200	20	60 x 200	2
66313	60	300	25	60 x 300	2
66413	60	400	30	60 x 400	2
66233	100	200	20	100 x 200	2
66333	100	300	25	100 x 300	2
66433	100	400	30	100 x 400	2
66533	100	500	35	100 x 500	2
66633	100	600	40	100 x 600	2

Colour: Grey RAL 7035 Material: U23X

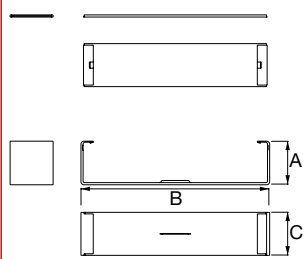
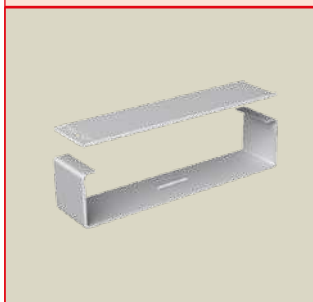
Note: 2 SST screws are included.







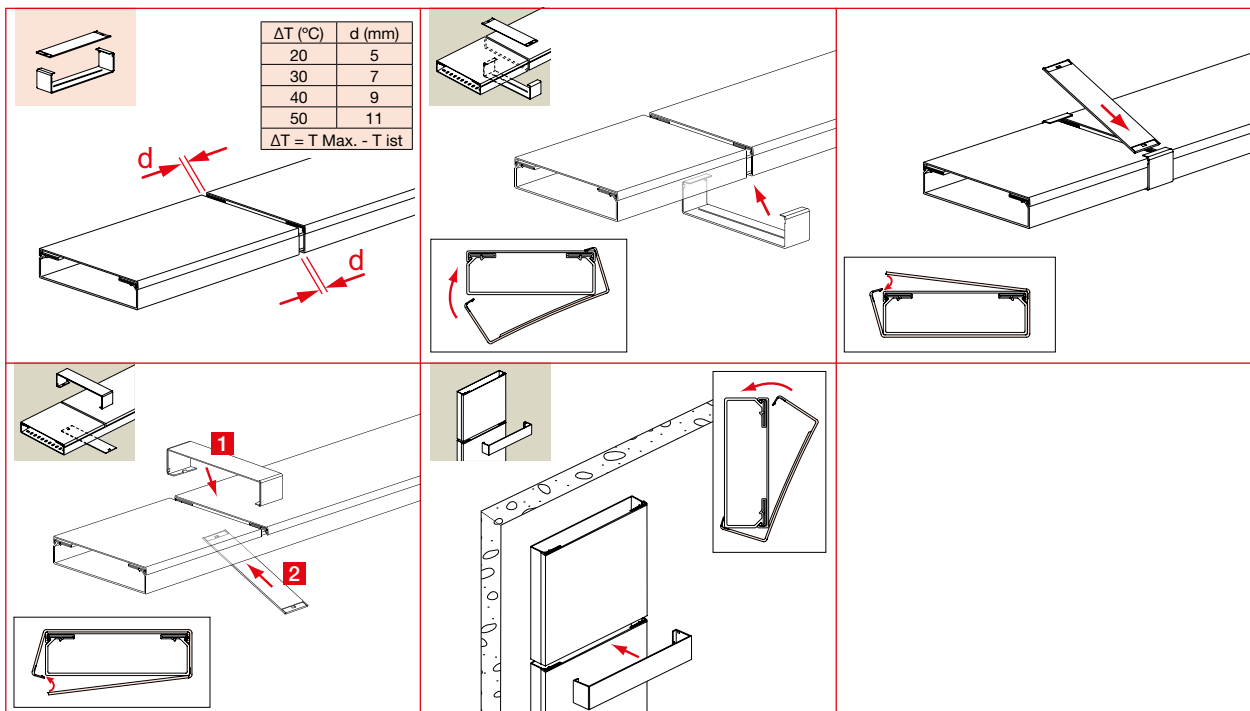
### 15. Coupler



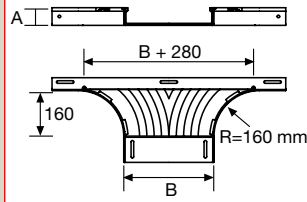
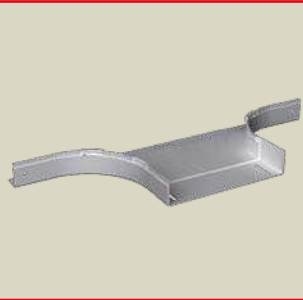
Part no.	Sizes mm			Application Cable tray	Pack pc.
	A	B	C		
66094	60	75	50	60 x 75	6
66114	60	100	50	60 x 100	6
66164	60	150	50	60 x 150	6
66214	60	200	70	60 x 200	6
66314	60	300	70	60 x 300	6
66414	60	400	70	60 x 400	4
66234	100	200	70	100 x 200	6
66334	100	300	70	100 x 300	6
66434	100	400	70	100 x 400	4
66534	100	500	70	100 x 500	4
66634	100	600	70	100 x 600	4

Colour: Grey RAL 7035      Material: U23X

Note: No mechanical function for load resistance.



16. Semi "T"

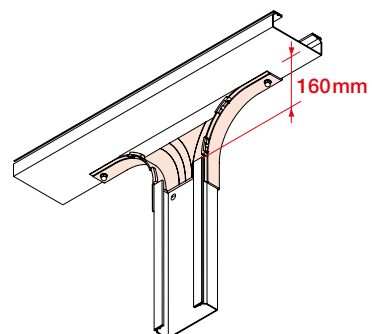
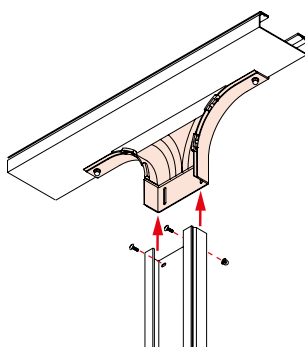
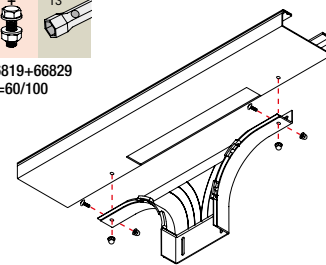
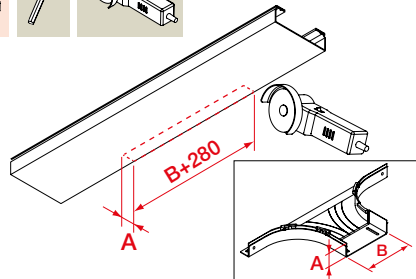
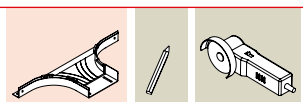
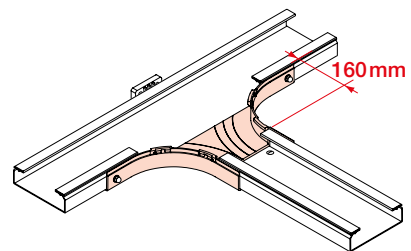
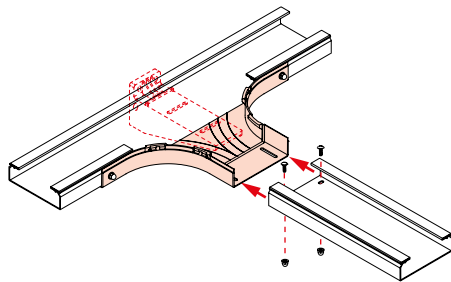
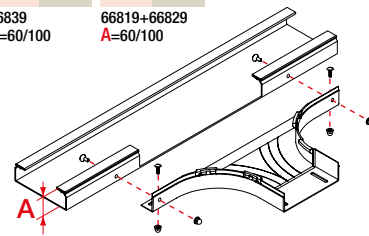
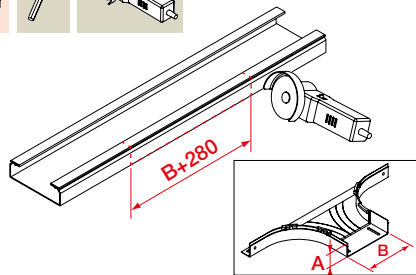
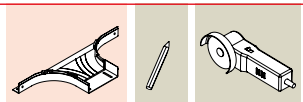


Part no.	Sizes mm		Fixing with screws	Application Cable tray	Pack pc.
	A	B			
66078	60	75	6	60 x 75	2
66128	60	100	6	60 x 100	2
66178	60	150	6	60 x 150	2
66228	60	200	6	60 x 200	2
66328	60	300	8	60 x 300	2
66428	60	400	8	60 x 400	1
66248	100	200	6	100 x 200	2
66348	100	300	8	100 x 300	2
66448	100	400	8	100 x 400	1
66548	100	500	8	100 x 500	1
66648	100	600	8	100 x 600	1

Colour: Grey RAL 7035

Material: U23X

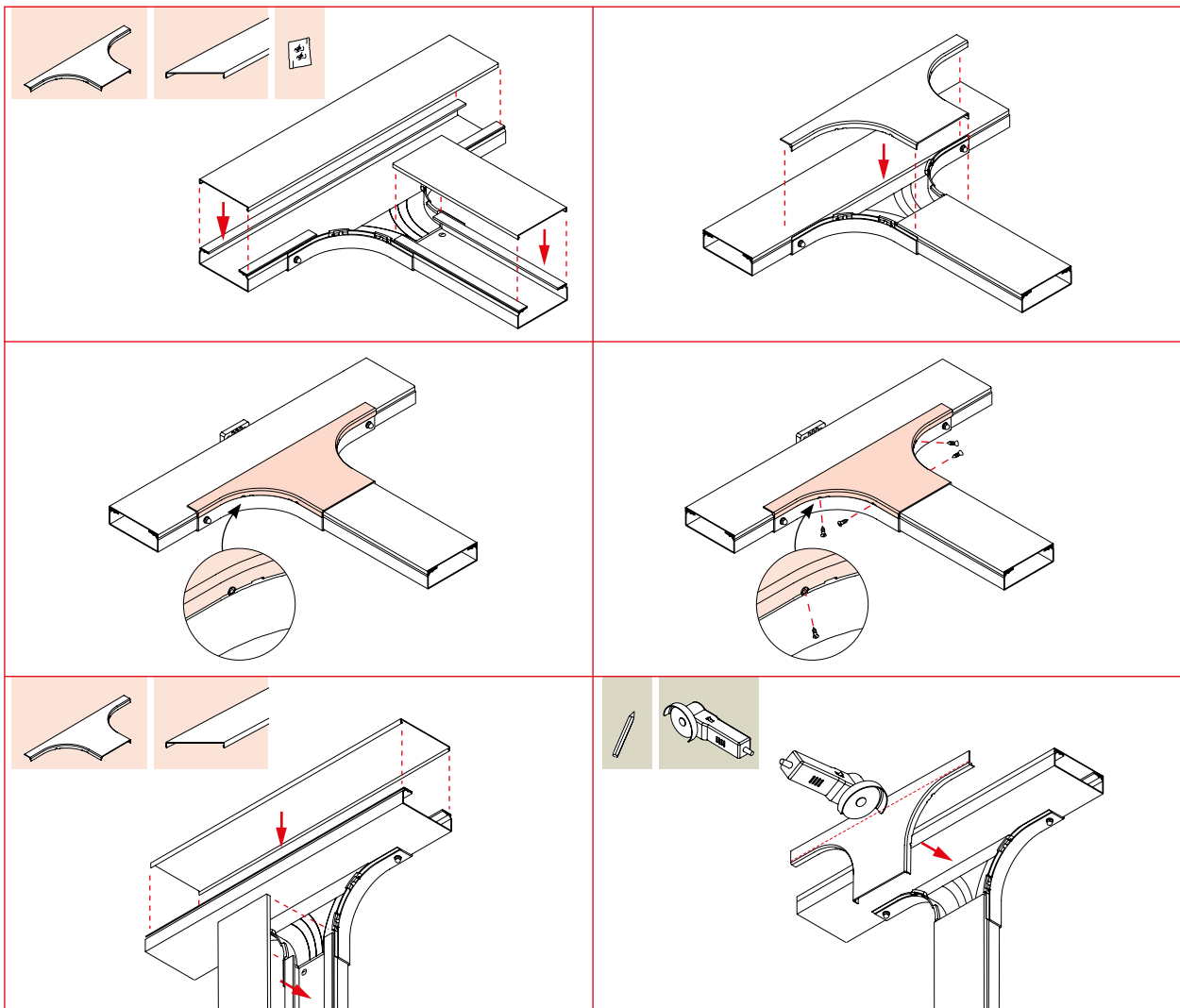
Note: It is recommended to place supports under Semi "T".




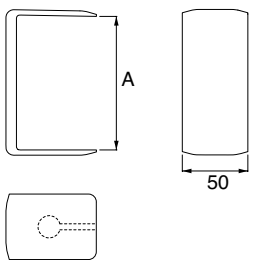
17. Semi "T" cover	Part no.	Sizes	Application	Pack
		mm		
		B		pc.
	66079	75	66078	2
	66129	100	66128	2
	66179	150	66178	2
	66229	200	66228	2
			66248	
	66329	300	66328	2
			66348	
	66429	400	66428	1
			66448	
66529	500	66548	1	
66629	600	66648	1	

Colour: Grey RAL 7035 Material: U23X

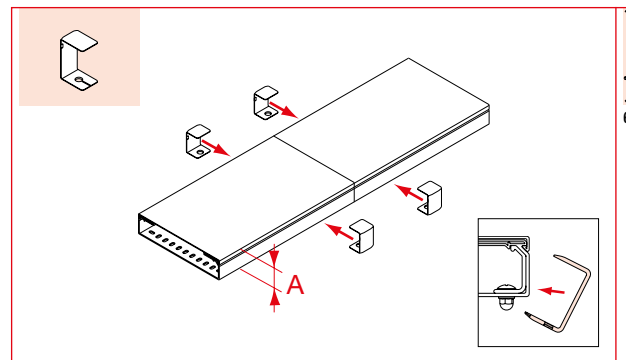
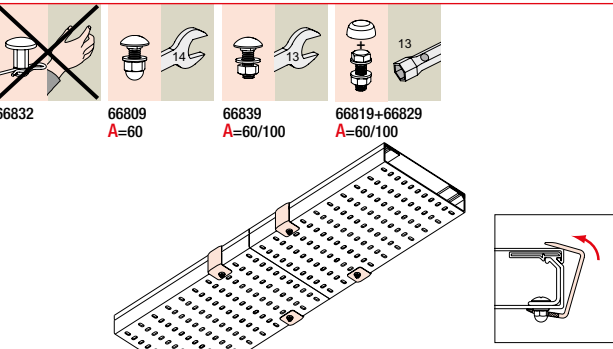
Note: 4 SST screws are included for optional cover fixing.



### 18. Cover fixing IK10


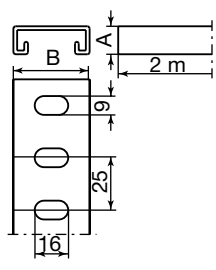




Part no.	Sizes mm		Application cable tray	Pack pc.
	A			
66845	62		60 x 75	50
			60 x 100	
			60 x 150	
			60 x 200	
			60 x 300	
66855	103		60 x 400	30
			100 x 200	
			100 x 300	
			100 x 400	
			100 x 500	
Colour: Grey RAL 7035			Material: U23X	

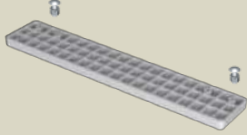
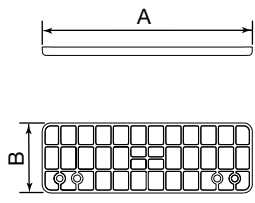
66832      66809 A=60      66839 A=60/100      66819+66829 A=60/100

### 19. Telerail

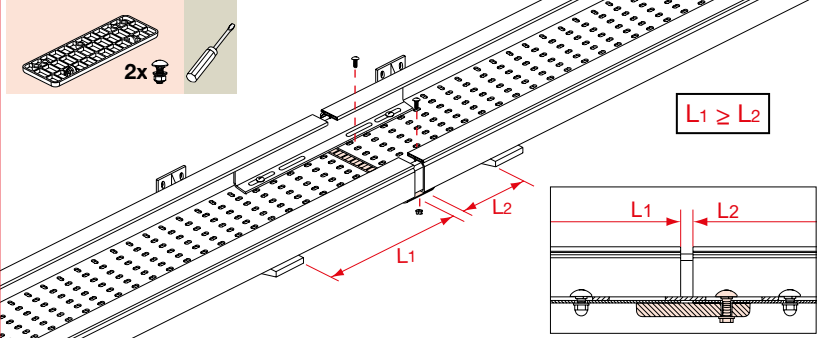




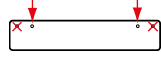
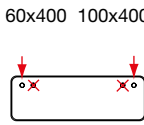
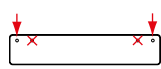
Part no.	Sizes mm		Pack m
	A	B	
6035	14	36	48
6050	18	50	24
Colour: Grey RAL 7035			Material: U23X
 Note: This product is not designed as a supporting element for cable trays, but for cable conduction or to separate a set from the wall.			

### 20. Base unions

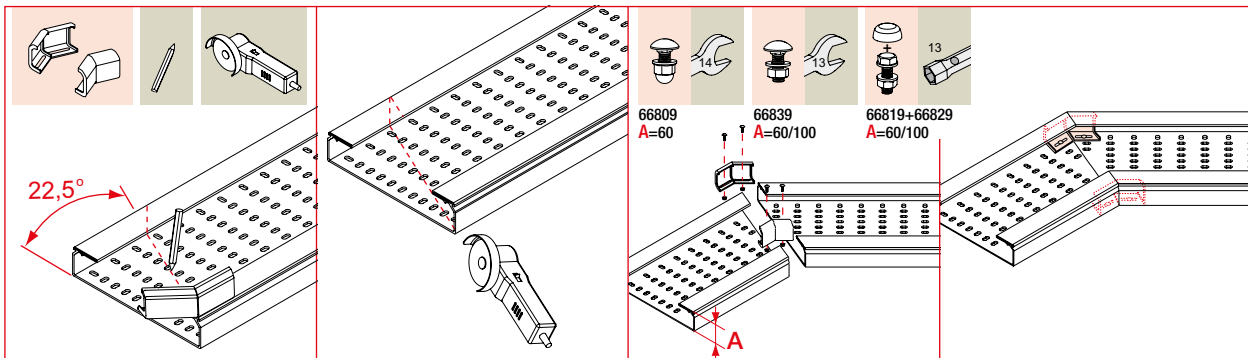



Part no.	Sizes mm		Application Cable tray	Pack pc.
	A	B		
66820	300	100	60 x 300	12
			60 x 400	
			100 x 300	
			100 x 400	
			100 x 500	
66830	500	100	100 x 600	6
Colour: Grey RAL 7035			Material: U23X	
Note: 2 SST screws included. For trays of width $\geq 300$ mm the use of a base union is necessary to comply with the requirements of full load transverse deflection defined by international Cable Trays Standard IEC 61537.				



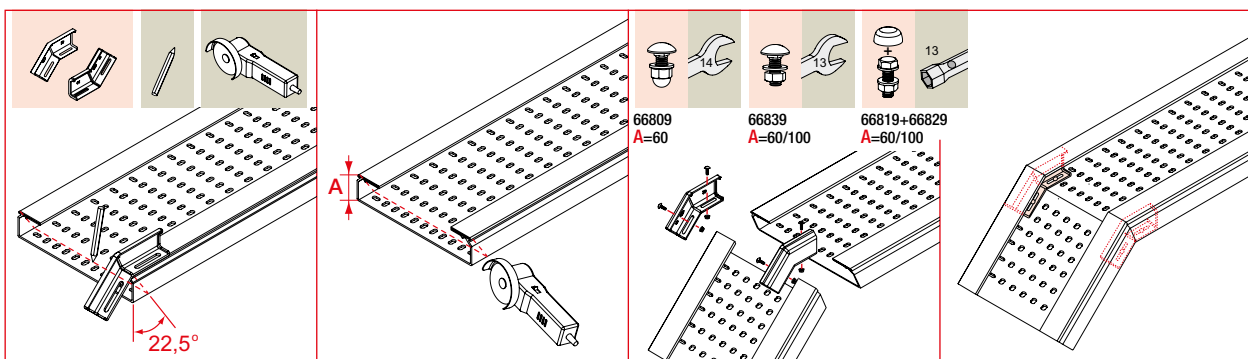
66820	66830
60x300 100x300	100x500
	
60x400 100x400	100x600
	

21. Corner junctions		Part no.	Sizes mm	Application Cable tray	Pack
			A		pc.
		66841	60	60 x 75 60 x 100 60 x 150 60 x 200 60 x 300 60 x 400	6
		66851	100	100 x 200 100 x 300 100 x 400 100 x 500 100 x 600	6
		Colour: Grey RAL 7035			Material: U23X
Note: Each item includes right and left pieces.					

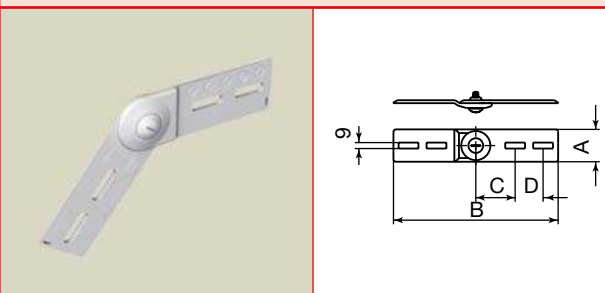


22. Convex change		Part no.	Sizes mm		Application Cable tray	Pack
			A	B		pc.
		66842	60	116	60 x 75 60 x 100 60 x 150 60 x 200 60 x 300 60 x 400	12
		66852	100	132	100 x 200 100 x 300 100 x 400 100 x 500 100 x 600	12
		Colour: Grey RAL 7035			Material: U23X	

23. Concave change		Part no.	Sizes mm		Application Cable tray	Pack
			A	B		pc.
		66843	60	76	60 x 75 60 x 100 60 x 150 60 x 200 60 x 300 60 x 400	12
		66853	100	82	100 x 200 100 x 300 100 x 400 100 x 500 100 x 600	12
		Colour: Grey RAL 7035			Material: U23X	

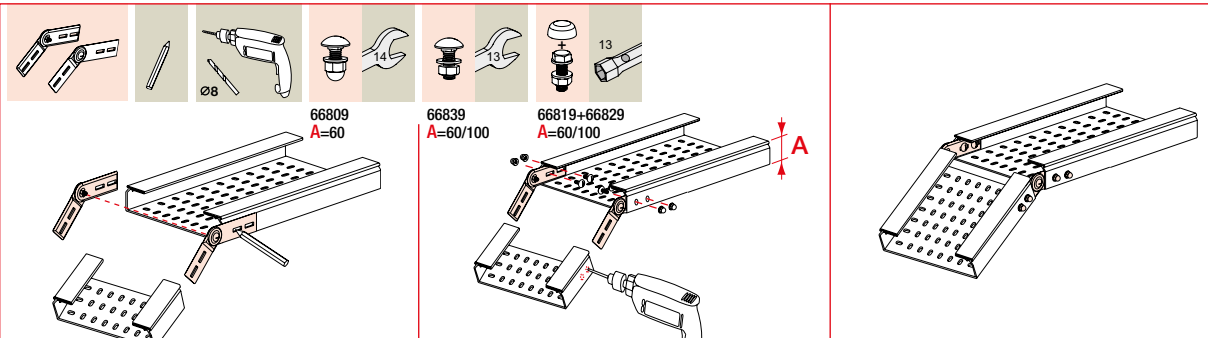


### 24. Vertical hinge

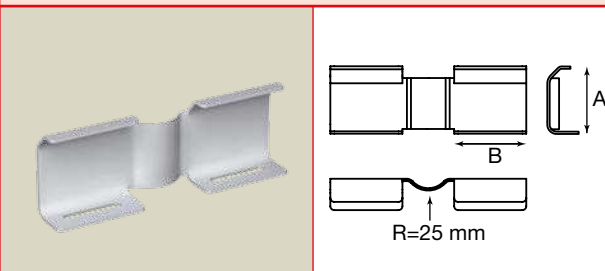


Part no.	Sizes mm				Application Cable tray	Pack pc.
	A	B	C	D		
66813	44	224	54	38	60 x 75 60 x 100 60 x 150 60 x 200 60 x 300 60 x 400	12
66833	85	330	85	50	100 x 200 100 x 300 100 x 400 100 x 500 100 x 600	12

Colour: Grey RAL 7035 Material: U23X

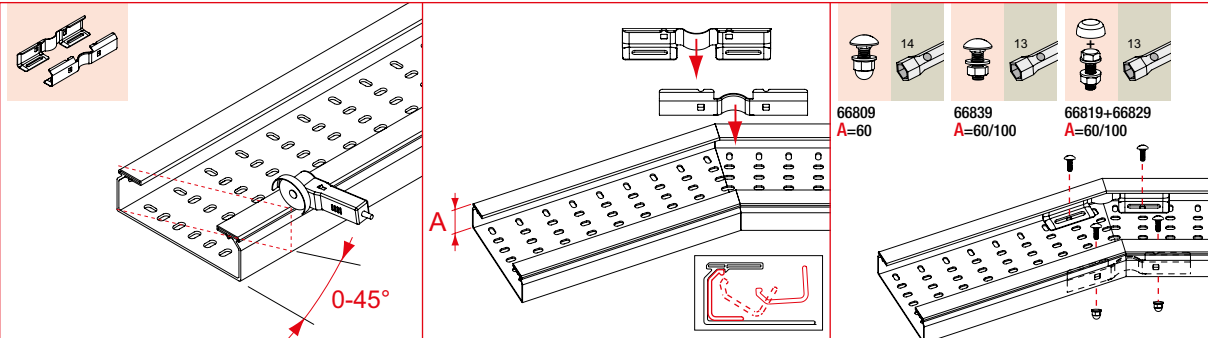


### 25. Horizontal hinge

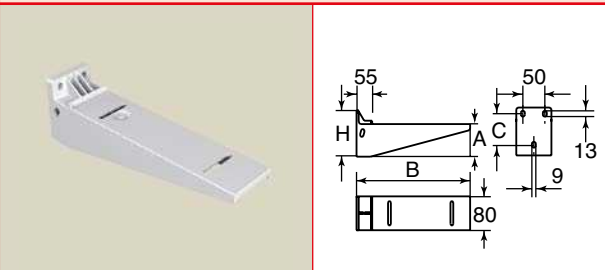


Part no.	Sizes mm		Application Cable tray	Pack pc.
	A	B		
66844	60	90	60 x 75 60 x 100 60 x 150 60 x 200 60 x 300 60 x 400	12
66854	100	90	100 x 200 100 x 300 100 x 400 100 x 500 100 x 600	12

Colour: Grey RAL 7035 Material: U24X




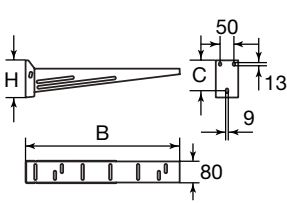
### 26. Insulating horizontal support



Part no.	Sizes mm				Application Cable tray	Pack pc.
	H	B	C	D		
U23X						
66103	65	97	160	72	60 x 75 60 x 100	4
66153	77	109	215	72	60 x 150	4
66203	77	109	265	72	60 x 200 100 x 200	4
66303	77	109	365	72	60 x 300	4
66323	130	162	355	117	100 x 300	4
66403	130	162	461	117	60 x 400 100 x 400	4
66503	150	220	560	150	100 x 500	4
66603	150	220	660	150	100 x 600	4

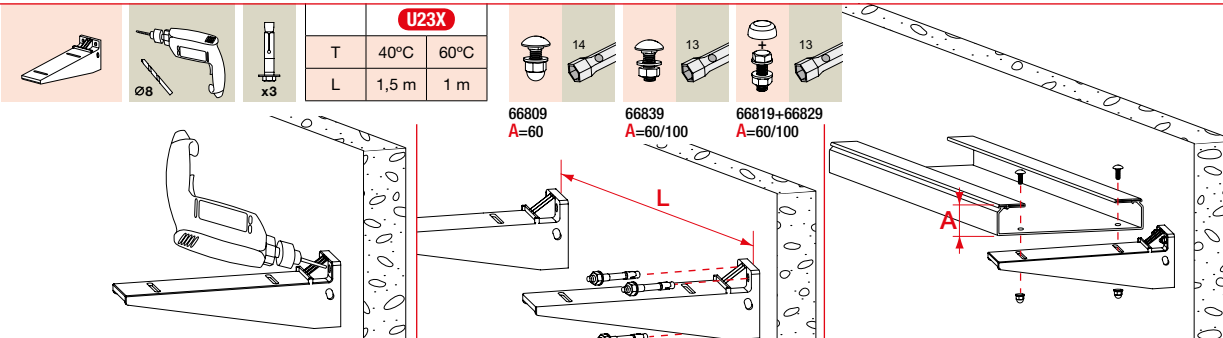
Colour: Grey RAL 7035 Material: U23X

### 26. Metal horizontal support

Part no.	SST AISI 304 with grey epoxy coating	Galvanized steel with grey epoxy coating	Sizes mm			Application Cable tray	Pack pc.
			H	B	C		
66423		66424	108,5	456	71	100 x 400	4
66523		66524	133	556	95,5	100 x 500	4
66623		66624	133	656	95,5	100 x 600	4


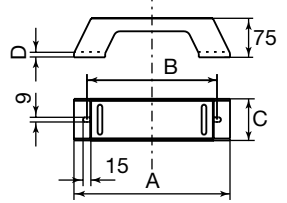
Colour: Grey



U23X		T		L	
		40°C	60°C	1,5 m	1 m
66809	A=60	14			
66839	A=60/100	13			
66819+66829	A=60/100	13			

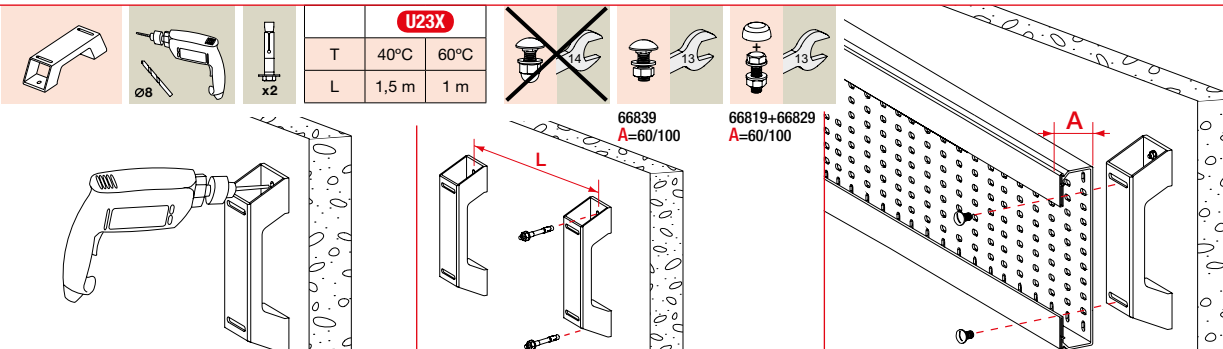
To achieve the maximum resistance, the support must be properly mounted on the wall.

### 27. Insulating vertical support

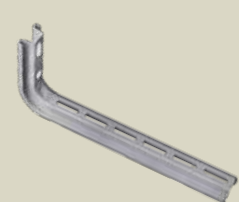
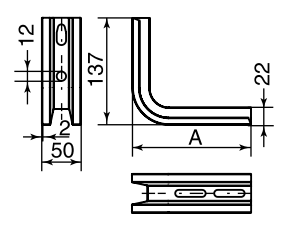
Part no.	Sizes mm				Application Cable tray	Pack pc.
	A	B	C	D		
66075	75	50	80	8	60 x 75	4
66155	150	100	80	8	60 x 100	4
66205	200	150	80	8	60 x 150	4
66305	300	250	80	8	60 x 200	4
66405	400	350	80	23	60 x 300	4
66605	600	550	103	23	60 x 400	4
					100 x 500	4
					100 x 600	4

Colour: Grey RAL 7035      Material: U23X

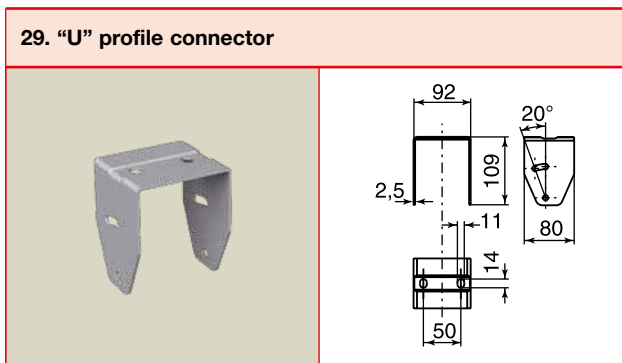
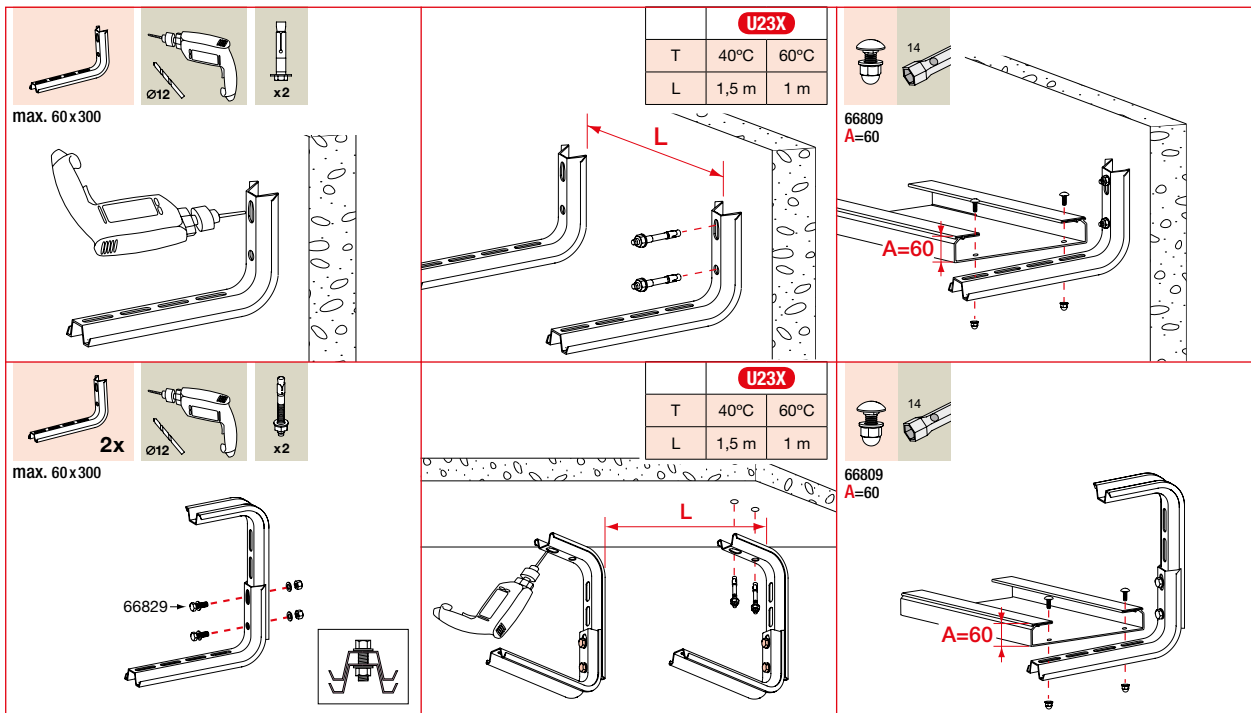


U23X		T		L	
		40°C	60°C	1,5 m	1 m
66839	A=60/100	14			
66819+66829	A=60/100	13			

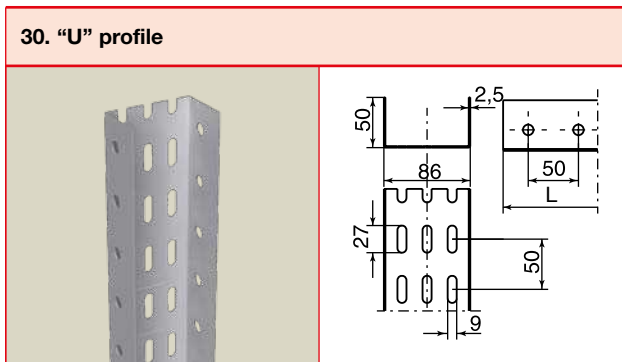
### 28. "L" bracket

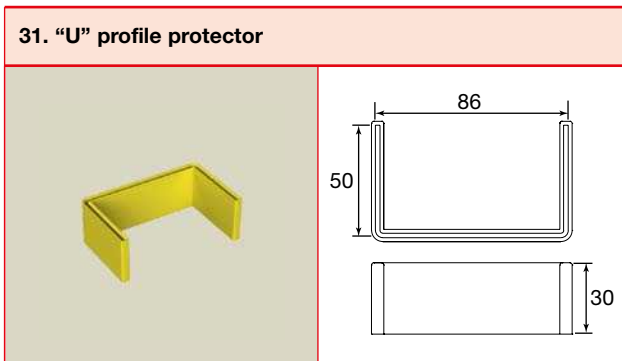
Part no.	Galvanized steel with grey epoxy coating	Sendz steel	Sizes A mm	Application Cable tray	Pack pc.
66206	66207	252	60 x 100	10	
66306	66307	352	60 x 150	10	
			60 x 200		
			60 x 300		



Part no.	Application "U" profile	Pack pc.
66880	66808 66838 66898	20
Colour: Grey RAL 7035      Material: SST AISI 304 with grey epoxy coating		
66980	66908 66938 66998	20
Colour: Grey RAL 7035      Material: Galvanized steel with grey epoxy coating		



Part no.	Application	Pack
SST AISI 304 with grey epoxy coating	Galvanized steel with grey epoxy coating	L m
66808	66908	0,25
66838	66938	0,50
66898	66998	3,00
Colour: Grey RAL 7035		


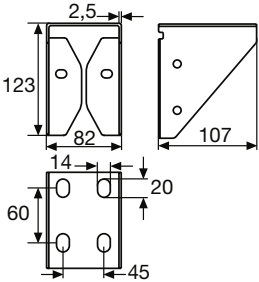



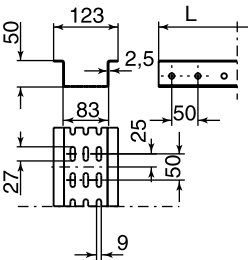
Part no.	Pack pc.
66902	20
Colour: Yellow RAL 1018      Material: Plasticized PVC	

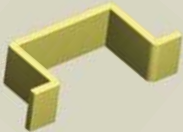
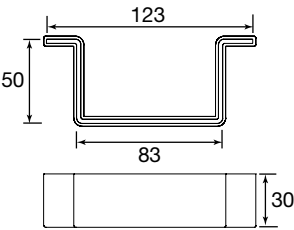



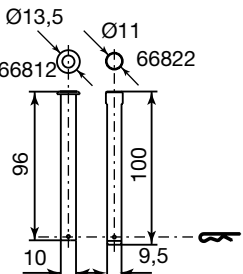
<p>max. 60x300 mm</p>	<table border="1"> <tr> <th colspan="2">U23X</th> </tr> <tr> <td>T</td> <td>40°C 60°C</td> </tr> <tr> <td>L</td> <td>1,5 m 1 m</td> </tr> </table>	U23X		T	40°C 60°C	L	1,5 m 1 m	
U23X								
T	40°C 60°C							
L	1,5 m 1 m							
	<table border="1"> <tr> <th colspan="2">U23X</th> </tr> <tr> <td>T</td> <td>40°C 60°C</td> </tr> <tr> <td>L</td> <td>1,5 m 1 m</td> </tr> </table>	U23X		T	40°C 60°C	L	1,5 m 1 m	
U23X								
T	40°C 60°C							
L	1,5 m 1 m							
<p>max. 60x300</p> <p>66809 A=60</p>								
	<table border="1"> <tr> <th colspan="2">U23X</th> </tr> <tr> <td>T</td> <td>40°C 60°C</td> </tr> <tr> <td>L</td> <td>1,5 m 1 m</td> </tr> </table>	U23X		T	40°C 60°C	L	1,5 m 1 m	
U23X								
T	40°C 60°C							
L	1,5 m 1 m							
<p>max. 60x300</p> <p>66809 A=60</p>								

If a mounting pin is used, screws are not necessary to fix the insulating horizontal support.

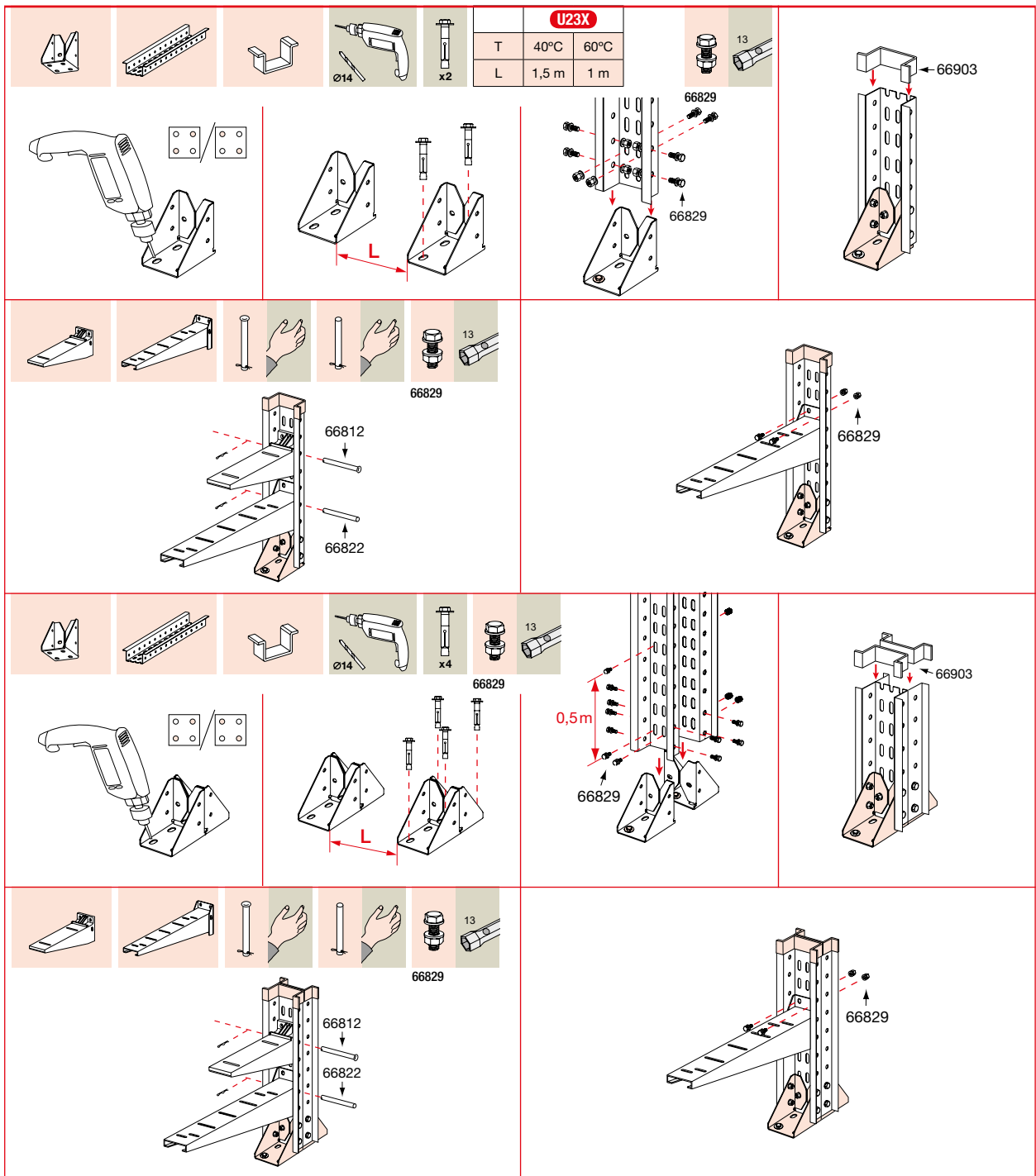
32. Omega profile connector		Part no.	Application Omega profile	Pack pc.
		66890	66837 66897	10
		Colour: Grey RAL 7035      Material: SST AISI 304 with grey epoxy coating		
		66990	66937 66997	10
		Colour: Grey RAL 7035      Material: Galvanized steel with grey epoxy coating		

33. Omega profile		Part no.	Galvanized steel with grey epoxy coating	Sizes m L	Pack
		66837	66937	0,50	10 pc.
		66897	66997	3,00	6 m
		Colour: Grey RAL 7035			


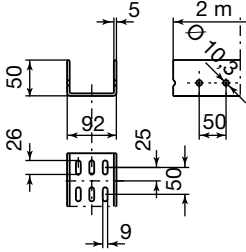
34. "Omega" profile protector		Part no.	Pack pc.
		66903	20
		Colour: Yellow RAL 1018      Material: Plasticized PVC	

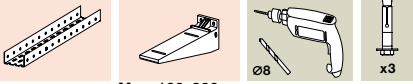
36. Mounting pin		Part no.	Application Horizontal support	Pack pc.
		66812	66103   66153   66203 66303   66403   66503 66323   66603	20
		66822	66403   66424   66423 66503   66524   66523 66603   66624   66623	20
		Material: SST AISI 304		
Note: When mounting pins are used, screws are not required to fix the horizontal support.				





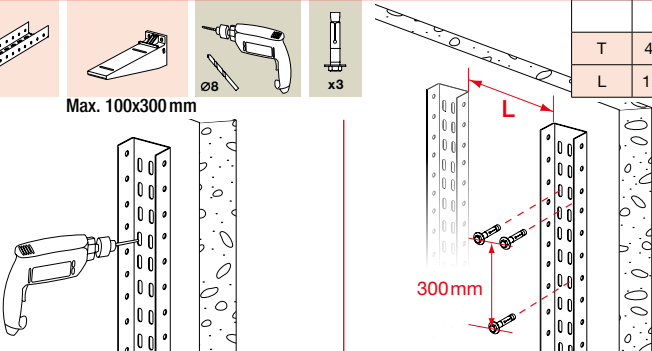
Note: The metal profiles should be painted in the unprotected areas when they are cut. (a) If a mounting pin is used, screws are not necessary to fix the horizontal support. (b) Join 2 profiles with 1 screws SST M8x25 part no. 66829 every 0,5 m.

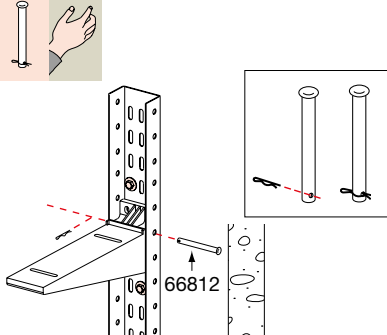
35. PVC "U" profile		Part no.	Pack
		66806	m
			24
		Colour: Grey RAL 7035	Material: U23X


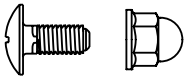


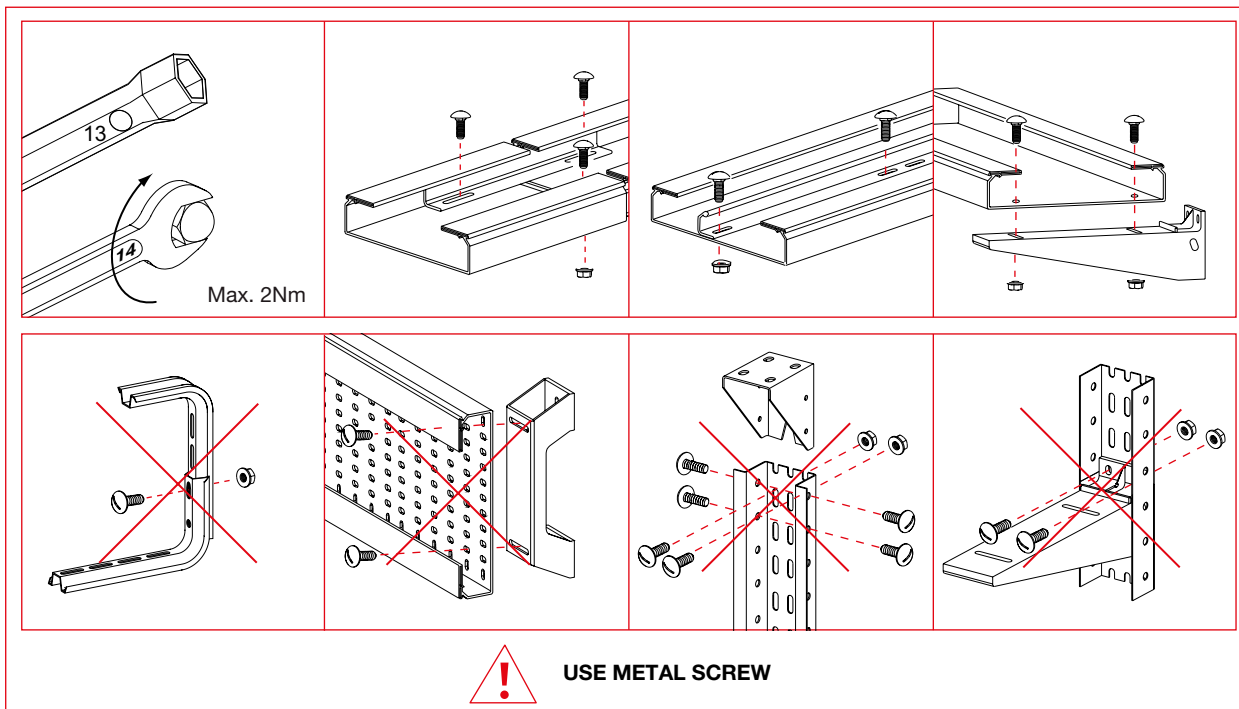
Max. 100x300 mm

	U23X	
T	40°C	60°C
L	1,5 m	1 m





37. Nuts and bolts		Part no.	Sizes	Pack
		66809	M8 X 20 DIN 603 ISO 8677	pc.
				1.000
		Colour: Grey RAL 7035	Material: U23X	
		Supplied in 100 pcs. bags. <b>Never use this screw to fix the cable tray to a vertical support.</b> <b>In installations subject to vibration, metal screws with self-blocking nuts shall be used.</b>		

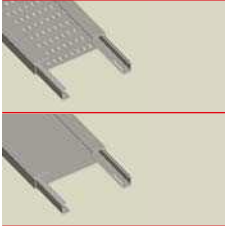













37. Nuts and bolts		Part no.	Sizes	Pack
		66839	M8 X 25 DIN 603 ISO 8677	100
		<b>Material: SST AISI 304</b>		
Note: In installations subject to vibration, metal screws with self-blocking nuts shall be used.				

38. Nuts and bolts		Part no.	Sizes	Pack
		66829	hexagonal M8 X 25 ISO EN 4017	100
		<b>Material: SST AISI 304</b>		
Note: When nuts and bolts Part no. 66829 are used, mounting pins are not required to fix the horizontal support. <b>For a quicker and easier installation is recommended to use mounting pins whenever the mounting set allows it.</b> In installations subject to vibration, metal screws with self-blocking nuts shall be used.				

39. Insulating protector for bolt		Part no.	Sizes mm	Application nuts and bolts	Pack
		66819		66829	100
		<b>Colour: Grey RAL 7035</b>			<b>Material: LDPE</b>
Note: Compatible with the hexagonal head bolt M8.					

## Useful cross-sections (mm<sup>2</sup>)

Sizes (mm)		60x75	60x100	60x150	60x200	60x300	60x400	100x200	100x300	100x400	100x500	100x600
Part numbers perforated Cable tray		66090	66100	66150	66200	66300	66400	66220	66320	66420	66520	66620
Part numbers continuous Cable tray		66091	66101	66151	66201	66301	66401	66221	66321	66421	66521	66621
		 2910	 4349	 7132	 9900	 15301	 20789	 16077	 25231	 34506	 44064	 53492
Divider	Section occupied		344	344	344	344	344	534	534	534	534	534
	Max. nº of compartments	1	2	3	5	7	11	4	7	11	15	17
Reinforced divider	Section occupied			343	343	343	343	673	673	673	673	673
	Max. nº of compartments	1	1	2	2	3	5	2	3	5	5	5

