

Number	Output Sockets	Fuse Protection	Residual Current Circuit Breaker	RCD Type A	Cable	with	Plug	Order No.
--------	----------------	-----------------	----------------------------------	------------	-------	------	------	-----------

1 CEE 400V 63A 5p. and 2 CEE 400V 32A 5p. and 2 CEE 400V 16A 5p. and 3 sockets with earthing contact	— 2 C-Aut. 3p. 1 C-Aut. 3p. 2 B-Aut. 1p.	— 63A/30mA/4p.	— 63A/30mA/4p.	— 63A/30mA/4p.	3m —	CEE 400V 63A 5p. or with connector plug	—	<b>1956601</b> <b>1956602</b>
1 CEE 400V 63A 5p. and 1 CEE 400V 32A 5p. and 2 CEE 400V 16A 5p. and 8 sockets with earthing contact	— 1 C-Aut. 3p. 2 C-Aut. 3p. 4 B-Aut. 1p.	— 63A/30mA/4p.	— 63A/30mA/4p.	— 63A/30mA/4p.	3m —	CEE 400V 63A 5p. or with connector plug	—	<b>1956603</b> <b>1956604</b>

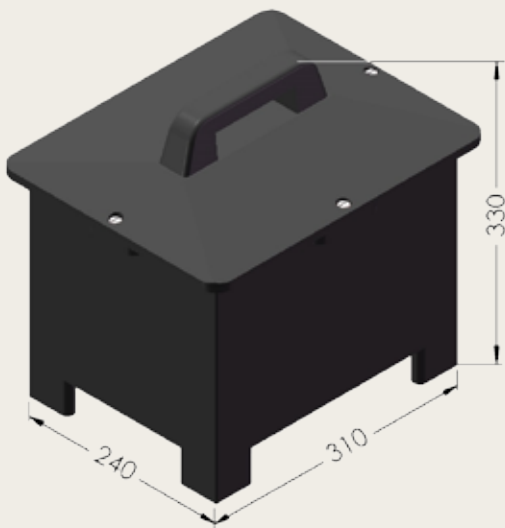


2 CEE 400V 32A 5p. and 2 CEE 400V 16A 5p. and 6 sockets with earthing contact	2 C-Aut. 3p. 2 C-Aut. 3p. 6 B-Aut. 1p.	— 63A/30mA/4p. <sup>1)</sup>	— 63A/30mA/4p. <sup>1)</sup>	— 63A/30mA/4p. <sup>1)</sup>	3m ---	CEE 400V 63A 5p. or with connector plug	—	<b>1956301</b> <b>1956302</b>
1 CEE 400V 32A 5p. and 2 CEE 400V 16A 5p. and 6 sockets with earthing contact	— 2 C-Aut. 3p. 6 B-Aut. 1p.	— 40A/30mA/4p. <sup>1)</sup>	— 40A/30mA/4p. <sup>1)</sup>	— 40A/30mA/4p. <sup>1)</sup>	3m ---	CEE 400V 32A 5p. or with connector plug	—	<b>1953301</b> <b>1953302</b>
2 CEE 400V 16A 5p. and — waterproof — 6 sockets with earthing contact — water-pressure-tight—	2 C-Aut. 3p. 6 B-Aut. 1p.	— 40A/30mA/4p.	— 40A/30mA/4p.	— 40A/30mA/4p.	3m	CEE 400V 32A 5p. or with — waterproof —	—	<b>1953101</b>



— other cable lengths and further models on request / subject to modification and errors —

1) externally accessible



- with a padlock on request



- with star-handle screws on request

The solid rubber housing is produced using a press and vulcanization process. In combination with the special material employed, this allows us to achieve those qualities that set this distribution box apart (see page 1.0).

**Special Features:**

- hinge with a solid V2A axis
- 3 M6 screws made of V2A steel, undetachable, guaranteeing secure and easy closure of the distribution box
- on request: 3 star-handle screws, undetachable, for opening the box without tools
- designed to accommodate a closing mechanism
- protection guards are arranged clearly under the lid, protecting against accidental contact
- 4 sturdy feet provide 40 mm floor clearance and a firm foothold
- inclined and overhanging lid that is also furnished with a rain deflector spanning all sides
- large, stable carrying handle
- the inside of the distribution box also displays a clear, maintenance-friendly design

- lid functionality is guaranteed, even when implemented under rough conditions and subject to high mechanical strain
- protection guards cannot be tampered with by unauthorized persons - SAFETY
- trained personnel have quick access to the safety devices - TIME SAVINGS
- only key holders can open the distribution box
- live parts cannot be touched, facilitating easy and safe operation
- perfectly suited to nearly all ground conditions
- rain and spray water cannot build up on the housing
- thanks to a special shape (recessed grip), the distribution box is comfortable and safe to carry during transport
- maintenance work can be carried out quickly and simply - COST SAVINGS