

Configuration Example

Mobile Safety Distribution Boxes



Solid Rubber Housing
Series
FREIBURG

Number	Output Sockets	Fuse Protection	RCD Residual Current I _n	Circuit Breaker I _n Δ	Cable with Plug	Order No.
--------	----------------	-----------------	-------------------------------------	----------------------------------	-----------------	-----------

8 sockets with earthing contact	8 B-Aut. 1p.	—	40A/30mA/4p.	3m	CEE 400V 32A 5p.	1453001
9 sockets with earthing contact	—	—	40A/30mA/4p.	3m	CEE 400V 16A 5p.	1411004



2 CEE 400V 16A 5p. and 4 sockets with earthing contact	2 C-Aut. 3p. 2 B-Aut. 1p.	—	40A/30mA/4p.	3m	CEE 400V 32A 5p.	1453113
1 CEE 400V 32A 5p. and 2 CEE 400V 16A 5p. and 3 sockets with earthing contact	— 2 C-Aut. 3p. 2 B-Aut. 1p.	—	40A/30mA/4p.	3m	CEE 400V 32A 5p.	1453310



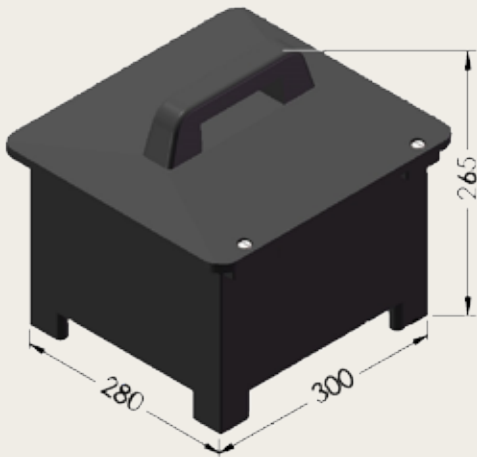
2 CEE 400V 32A 5p. and 1 CEE 400V 16A 5p. and 3 sockets with earthing contact	2 C-Aut. 3p. 1 C-Aut. 3p. 3 B-Aut. 1p.	—	63A/30mA/4p.	3m	CEE 400V 63A 5p.	1456346
2 CEE 400V 32A 5p. and 1 CEE 400V 16A 5p. and 4 sockets with earthing contact	— 1 Neokit 3p. 4 Neokit 1p.	—	40A/30mA/4p.	3m	CEE 400V 32A 5p.	1433310



1 CEE 400V 63A 5p. and 1 CEE 400V 32A 5p. and 1 CEE 400V 16A 5p. and 3 sockets with earthing contact	— 1 C-Aut. 3p. 1 C-Aut. 3p. 2 B-Aut. 1p.	—	63A/30mA/4p.	3m	CEE 400V 63A 5p.	1456612
--	---	---	--------------	----	------------------	----------------



– other cable lengths and further models on request / subject to modification and errors –



- with a padlock on request
- with star-handle screws on request

The solid rubber housing is produced using a press and vulcanization process. In combination with the special material employed, this allows us to achieve those qualities that set this distribution box apart (see page 1.0).

Special Features:

- hinge with a solid V2A axis
- 2 M6 screws made of V2A steel, undetachable, guaranteeing secure and easy closure of the distribution box
- on request: 2 star-handle screws, undetachable, for opening the box without tools
- designed to accommodate a closing mechanism
- protection guards are arranged clearly under the lid, protecting against accidental contact
- four sturdy feet provide 30 mm floor clearance and a firm foothold
- inclined and overhanging lid that is also furnished with a rain deflector spanning all sides
- large, stable carrying handle
- the inside of the distribution box also displays a clear, maintenance-friendly design
- lid functionality is guaranteed, even when implemented under rough conditions and subject to high mechanical strain
- protection guards cannot be tampered with by unauthorized persons - SAFETY
- trained personnel have quick access to the safety devices - TIME SAVINGS
- only key holders can open the distribution box
- live parts cannot be touched, facilitating easy and safe operation
- perfectly suited to nearly all ground conditions
- rain and spray water cannot build up on the housing
- thanks to a special shape (recessed grip), the distribution box is comfortable and safe to carry during transport
- maintenance work can be carried out quickly and simply - COST SAVINGS