

# ENCLOSURE CLIMATE CONTROL SOLUTIONS

**IRINOX**

**IRINOX S.p.A.**

Via Caduti nei Lager, Z.I. Prealpi Loc. Scomigo - 31015 Conegliano (TV) - Italy  
T. +39 0438 2020 - F. +39 0438 2023 - [quadri@irinox.com](mailto:quadri@irinox.com)

[www.irinoxquadri.com](http://www.irinoxquadri.com)

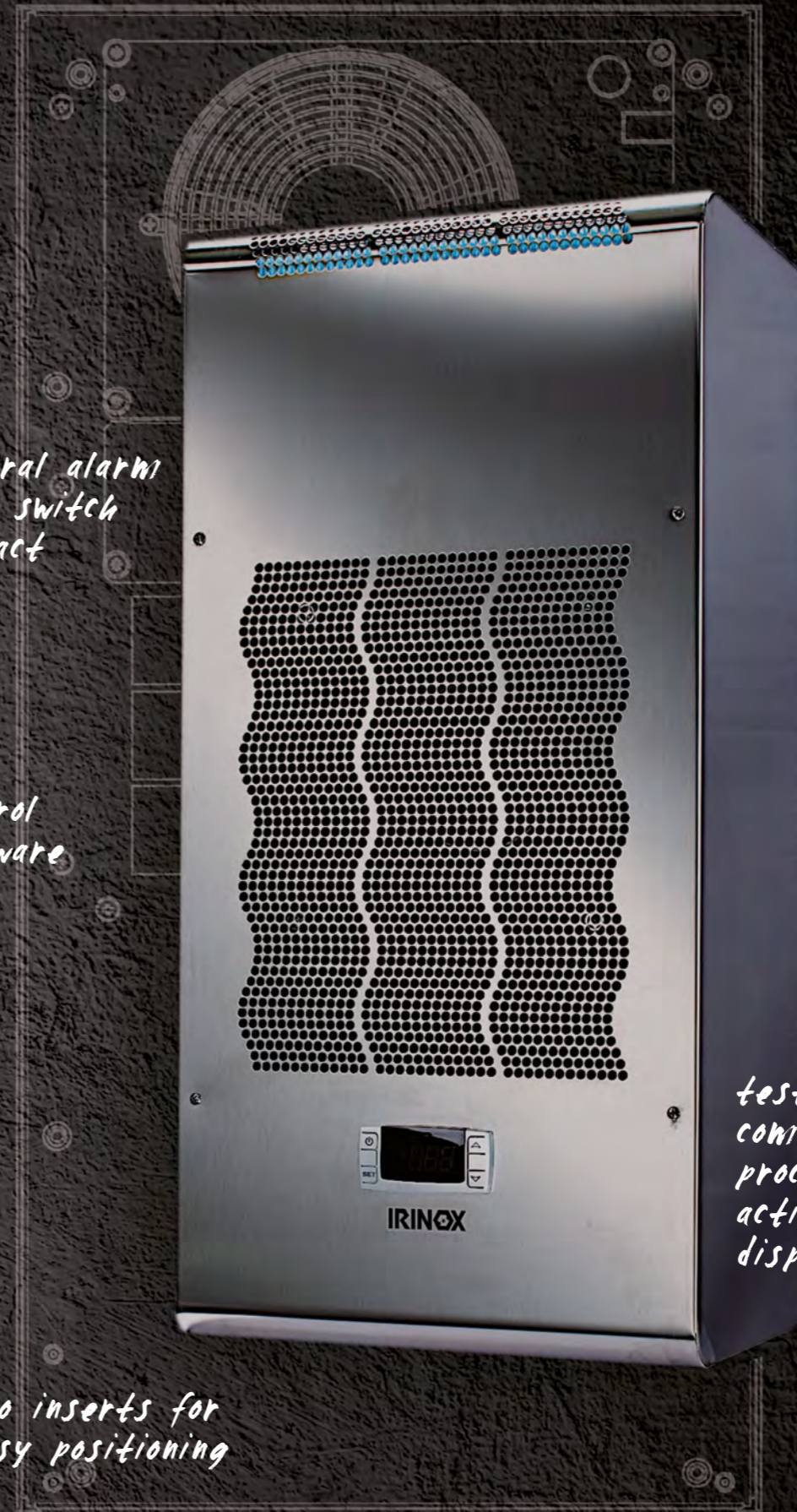
# INDEX

WALL AND DOOR MOUNTED AIR CONDITIONERS  
NEW KCVE SERIES ..... page 4

MODEL KCVE05 ..... page 6  
MODEL KCVE08 ..... page 7  
MODEL KCVE15 ..... page 8  
MODEL KCVE20 ..... page 9

ROOF MOUNTED AIR CONDITIONERS  
NEW KETE SERIES ..... page 11

MODEL KETE09 ..... page 12  
MODEL KETE14 ..... page 13



*stainless steel  
external cover*

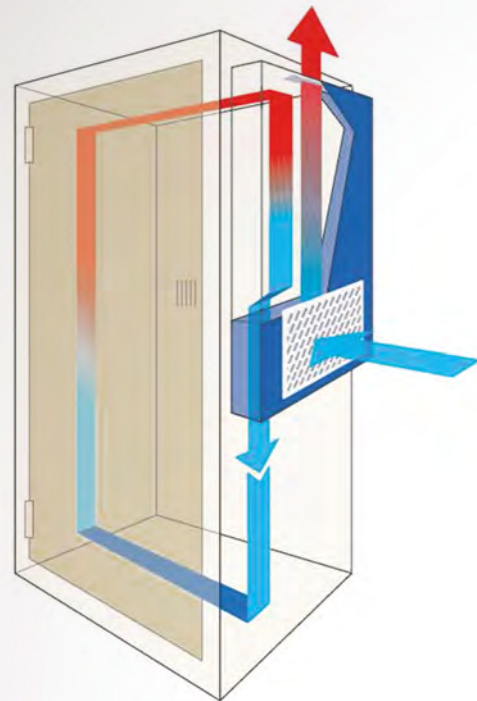
*general alarm  
with switch  
contact*

*control  
software*

*easy  
installation*

*testing  
commissioning  
procedure can be  
activated from the  
display interface*

*two inserts for  
easy positioning*



## WALL AND DOOR MOUNTED AIR CONDITIONERS NEW **KCVE** SERIES

**External cover:** standard material AISI 304 stainless steel (Wnr 1.4301) / available on request in AISI 316 stainless steel (Wnr 1.4404)

**Rear panel and interior in FeZn**

**Cooling capacity:** 550 / 2000 W

**XCB electronic board + display:** new control system with electronic board located in the evaporator compartment and display

**General alarm contacts, standard remote control system**

**General alarm with switch contact  
(Normally Open or Normally Closed)**

**Testing/commissioning procedure initiated from the display interface**

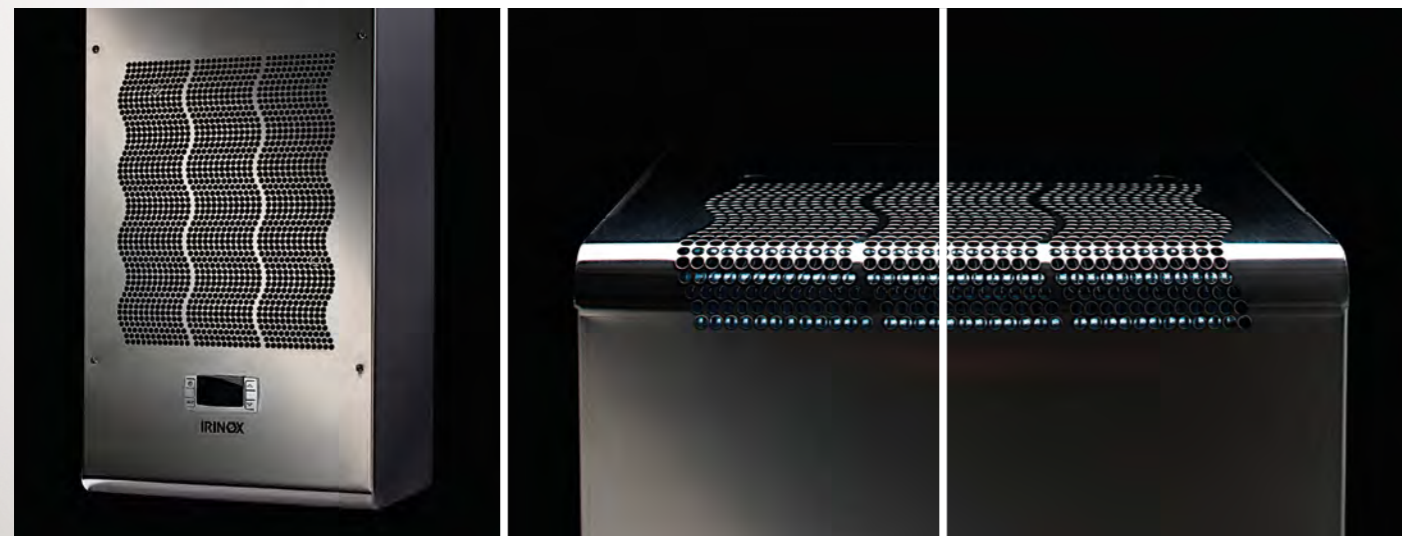
**SMART ENERGY MANAGEMENT (SEM):** software control for turning off the fan/evaporator when the internal temperature is low and for periodic temperature monitoring

**Condenser and condensation dissipating device:** (from model KCV11)

**Fast connections (CE version) - see next page**

**Easy installation:** fitted with two inserts for mounting to the side of the electrical enclosure

**Protection rating IP according to EN 60529:**  
External circuit IP 34 / Internal circuit IP 54

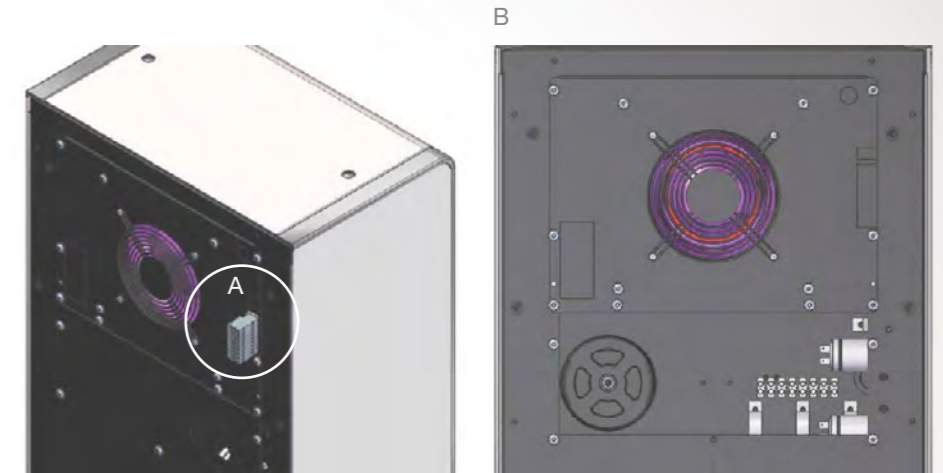


### DETAIL OF ELECTRICAL CONNECTIONS

Quick connection (WAGO connector) for CE models: new 9-pole connector in the upper part of the air conditioner.

A / WAGO connector

Connection to the terminal block on the back (internal side) for UL Listed models. B



### LIST OF MODELS

Code	Power W	Power supply V - ph - HZ
KCVE050022080	550/580	230 - 1 - 50/60
KCVE080022080	850/900	230 - 1 - 50/60
KCVE150022080	1500/1600	230 - 1 - 50/60
KCVE200022080	2100/2200	230 - 1 - 50/60
KCVE150022880	1400/1500	400 - 2 - 50 / 460 - 2 - 60
KCVE200026180	2000/2100	400 - 3 - 50 / 460 - 3 - 60

Code UL models	Power W	Power supply V - ph - HZ
KCVE05U120380	580	115 - 1 - 60
KCVE08U120380	900	115 - 1 - 60
KCVE15U120380	1600	115 - 1 - 60
KCVE20U126280	2100	400 - 3 - 50 / 460 - 3 - 60

### Example of serial number plate



### Certification - Protection category UL Models

This product is considered a finished product, not a subassembly (UL recognized).

**UL Listed product:** no need to spend time and money for further certifications.

**Protection category NEMA Type 12** indoor (KCVE models).

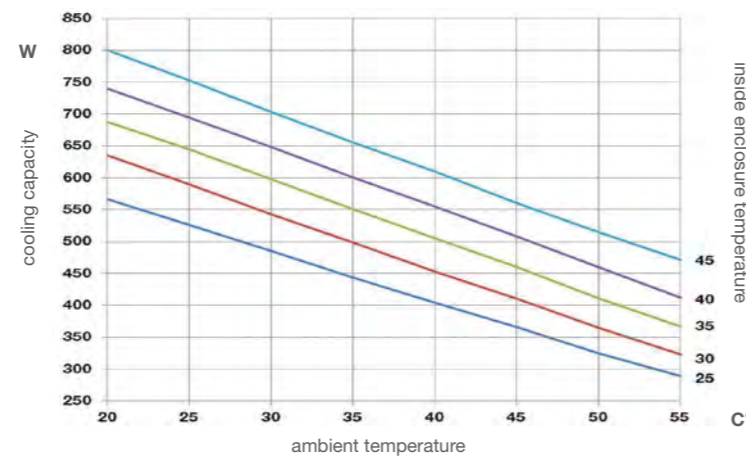
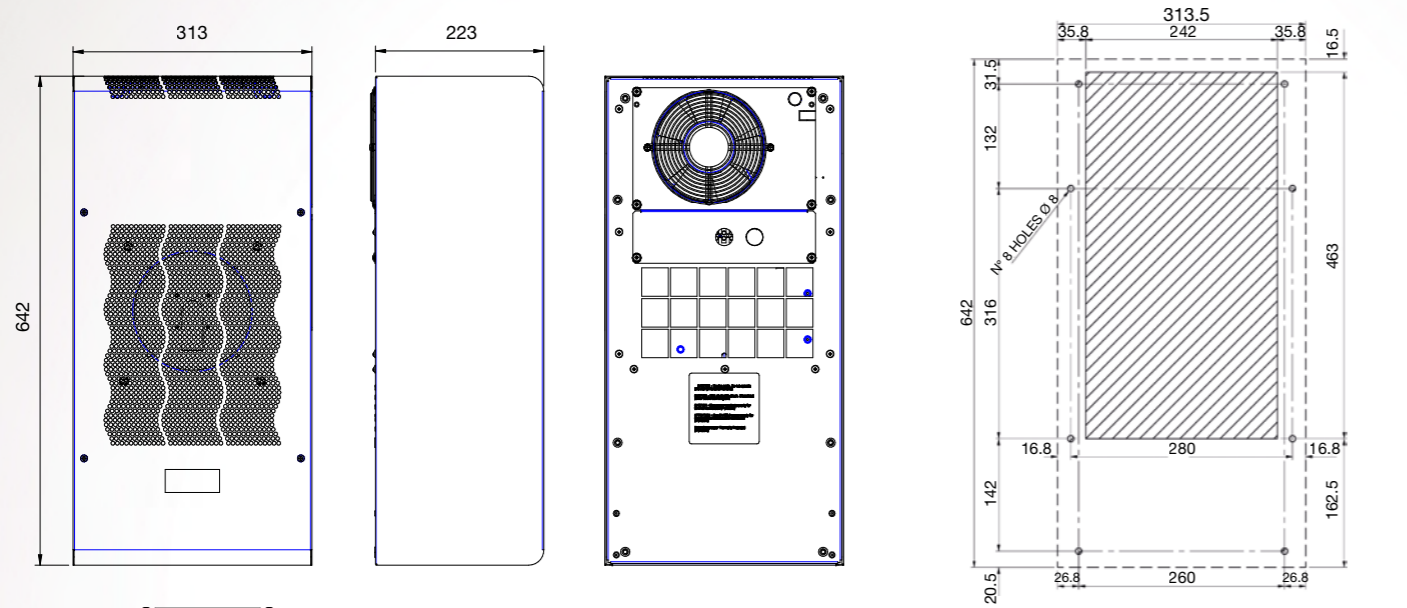


UL Listed certification



CE CERTIFICATION

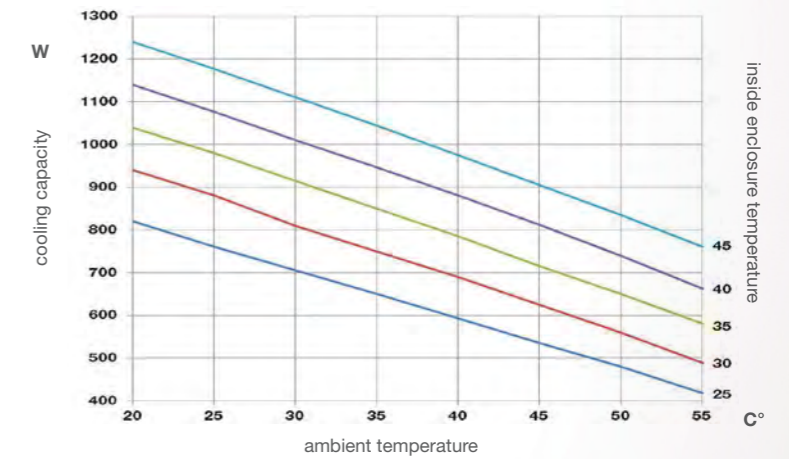
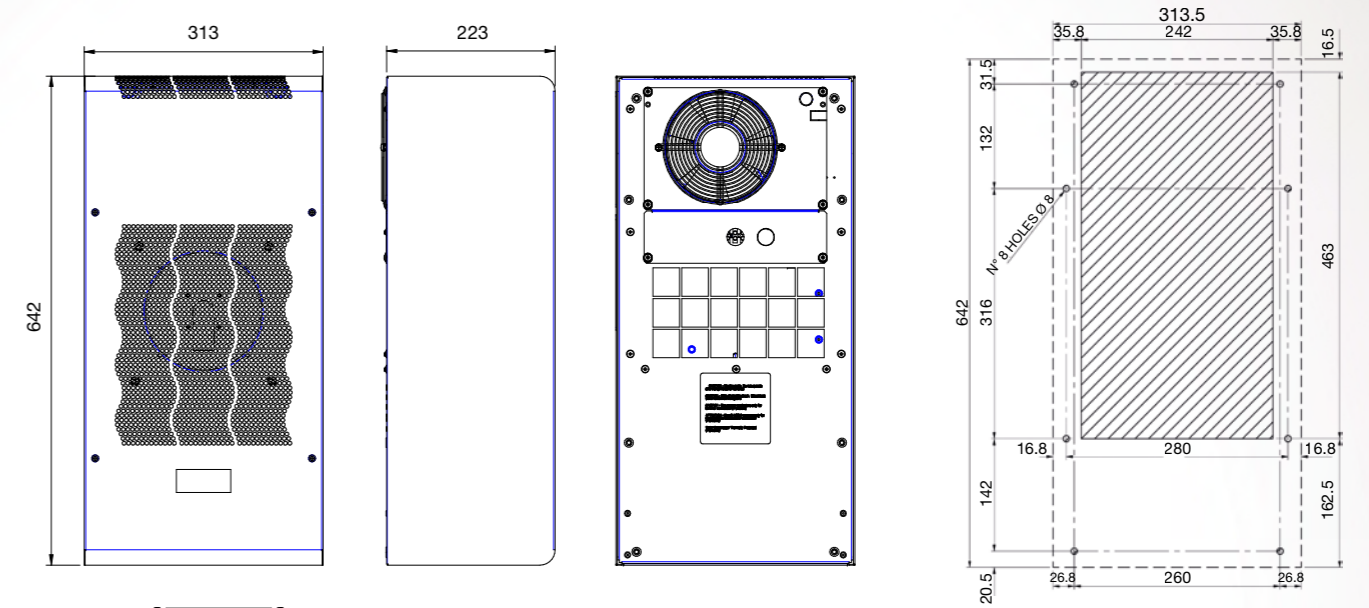
# WALL MOUNTED AIR CONDITIONER MODEL KCVE05



	unit of measure	KCVE050022080	KCVE05U120380*
Power supply	V - ph - Hz	230-1-50/60	115-1-60
Cooling capacity L35L35	W	550 - 580	580
Cooling capacity L35L50	W	410 - 430	430
Height / Width / Depth	Mm	642 x 313 x 223 (25.28" x 12.32" x 8.78")	642 x 313 x 223 (25.28" x 12.32" x 8.78")
Max. running current	A	1,4/1,6	4,7
Starting current	A	7,5	17
Fuse T	A	4	15
Power consumption L35L50	W	320 - 390	390
Side cabinet fan flow, free blowing	m3/h	164 - 195	195
Regulation Temperature limits	°C	+25/+45	+25/+45
Side ambient temperature limits	°C	+20/+55	+20/+55
Side cabinet protection rating	IP/Type	54/ -	- / 12
Noise level	dB(A)	61	61
Weight	kg	23	23



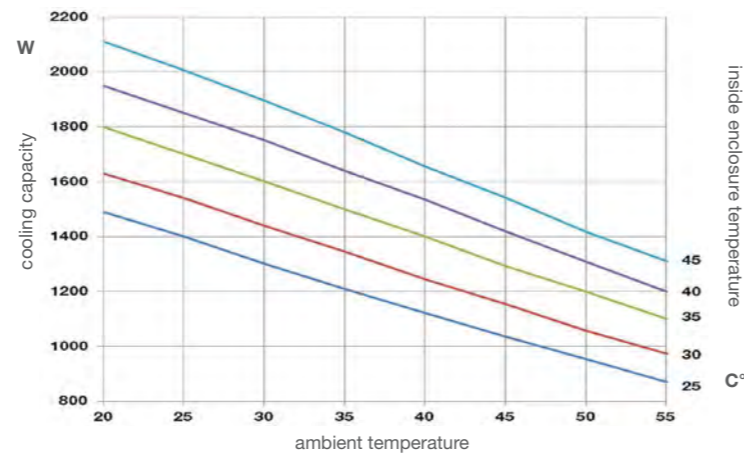
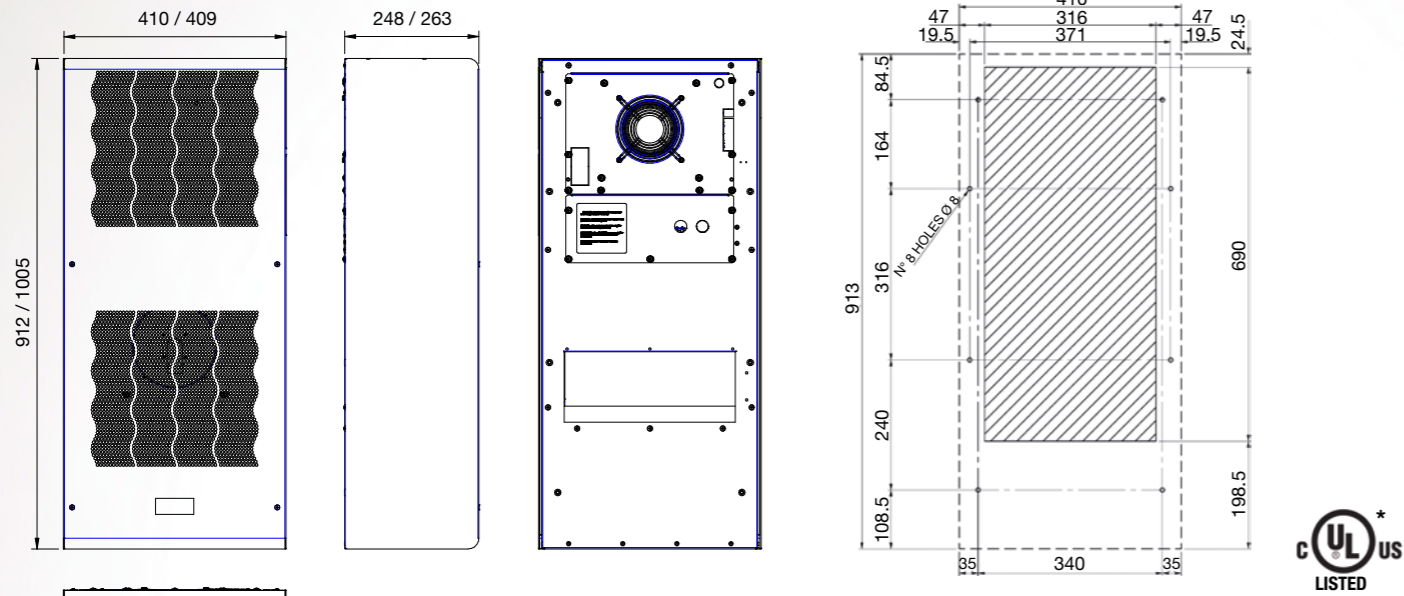
# WALL MOUNTED AIR CONDITIONER MODEL KCVE08



	unit of measure	KCVE080022080	KCVE08U120380*
Power supply	V - ph - Hz	230-1-50/60	115-1-60
Cooling capacity L35L35	W	850-900	900
Cooling capacity L35L50	W	620-700	700
Height / Width / Depth	Mm	642 x 313 x 223 (25.28" x 12.32" x 8.78")	642 x 313 x 223 (25.28" x 12.32" x 8.78")
Max. running current	A	2,6/2,7	7,2
Starting current	A	20	28
Fuse T	A	6	15
Power consumption L35L50	W	420-600	600
Side cabinet fan flow, free blowing	m3/h	340-356	390
Regulation Temperature limits	°C	+25/+45	+25/+45
Side ambient temperature limits	°C	+20/+55	+20/+55
Side cabinet protection rating	IP/Type	54 / -	- / 12
Noise level	dB(A)	64	64
Weight	kg	27	27

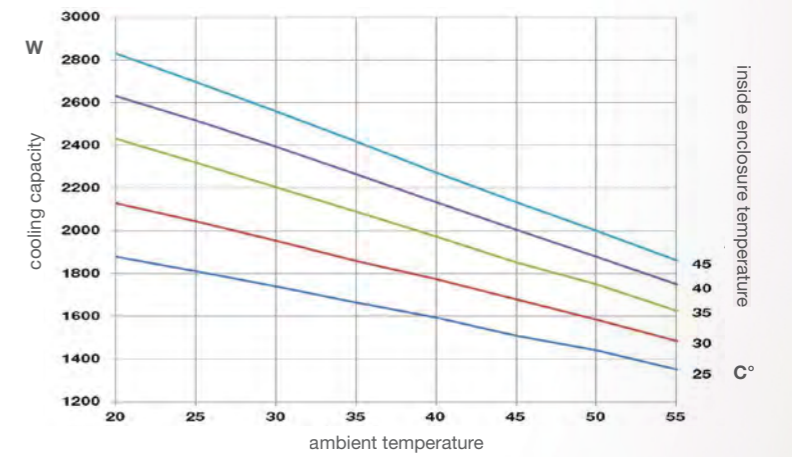
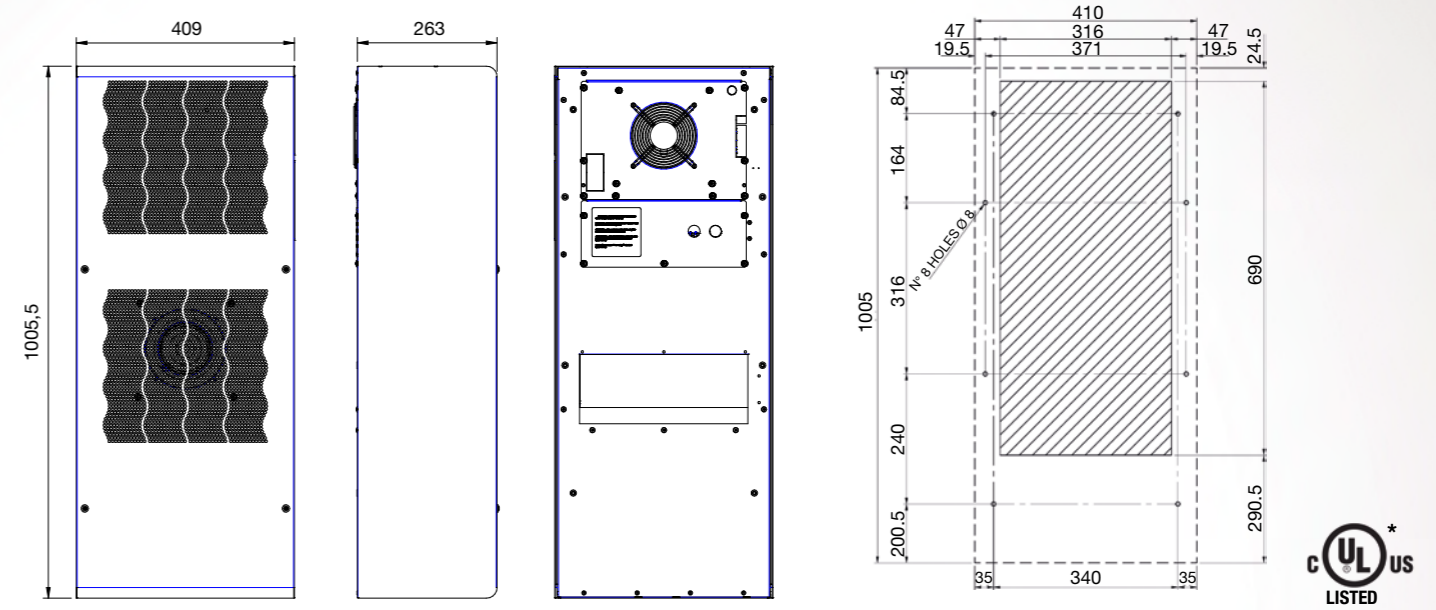


# WALL MOUNTED AIR CONDITIONER MODEL KCVE15



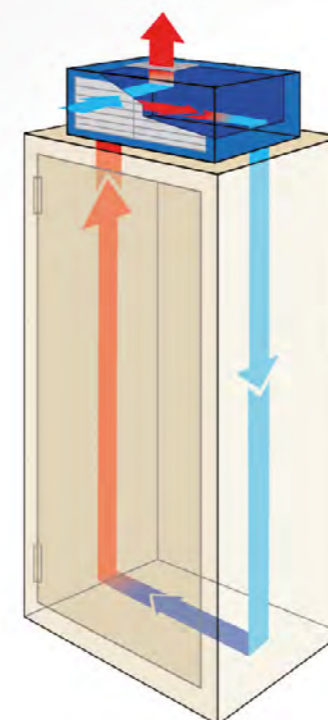
	unit of measure	KCVE150022080	KCVE150022880	KCVE15U120380*
Power supply	V - ph - Hz	230-1-50/60	400-2-50 / 460-2-60	115-1-60
Cooling capacity L35L35	W	1500-1600	1400-1500	1600
Cooling capacity L35L50	W	1200-1280	1150-1200	1280
Height / Width / Depth	Mm	912 x 410 x 248 (35.91"x16.14"x9.76")	912 x 410 x 248 (35.91"x16.14"x9.76")	912 x 410 x 248 (35.91"x16.14"x9.76")
Max. running current	A	3,9/4,3	2,5/2,6	9,4
Starting current	A	28	110	50
Fuse T	A	8	6	15
Power consumption L35L50	W	750-825	750-825	825
Side cabinet fan flow, free blowing	m3/h	540-580	540-580	580
Regulation Temperature limits	°C	+25/+45	+25/+45	+25/+45
Side ambient temperature limits	°C	+20/+55	+20/+55	+20/+55
Side cabinet protection rating	IP/Type	54 / -	54 / -	- / 12
Noise level	dB(A)	65	65	65
Weight	kg	46	53	46

# WALL MOUNTED AIR CONDITIONER MODEL KCVE20



	unit of measure	KCVE200022080	KCVE200026180	KCVE20U126280*
Power supply	V - ph - Hz	230-1-50/60	400-3-50 / 460-3-60	400-3-50 / 460-3-60
Cooling capacity L35L35	W	2100-2200	2000-2100	2100
Cooling capacity L35L50	W	1750-1850	1700-1800	1800
Height / Width / Depth	Mm	1005 x 409 x 263 (39.57"x16.10"x10.35")	1005 x 409 x 263 (39.57"x16.10"x10.35")	1005 x 409 x 263 (39.57"x16.10"x10.35")
Max. running current	A	4,8/5,5	2,5/2,7	3,62
Starting current	A	34	22	22
Fuse T	A	10	6	15
Power consumption L35L50	W	1120-1240	1100-1200	1200
Side cabinet fan flow, free blowing	m3/h	540-580	890-930	930
Regulation Temperature limits	°C	+25/+45	+25/+45	+25/+45
Side ambient temperature limits	°C	+20/+55	+20/+55	+20/+55
Side cabinet protection rating	IP/Type	54 / -	54 / -	- / 12
Noise level	dB(A)	69	69	69
Weight	kg	48	48	48

## ROOF MOUNTED AIR CONDITIONERS NEW **KETE** SERIES



### Roof mounted air conditioners

**External cover:** standard material AISI 304 stainless steel (Wnr 1.4301) / available on request in AISI 316 stainless steel (Wnr 1.4404)

**Rear panel and interior in FeZn**

**ECB digital thermostat**

**Condensation dissipating device:** fitted on model KETE140022870

**Full condensate tank alarm contact:**  
fitted on model KETE090122070

**Quick connections:** (CE version) 9-pole connector

**Possibility of inverting the thermostat position:**  
available for model KETE140022870

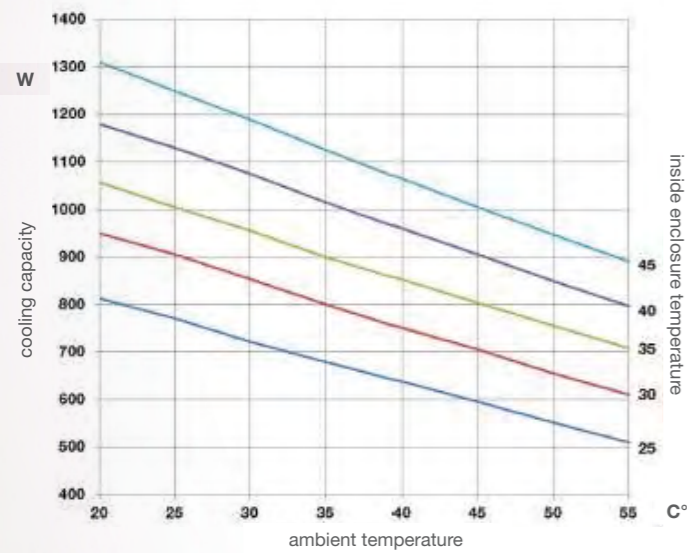
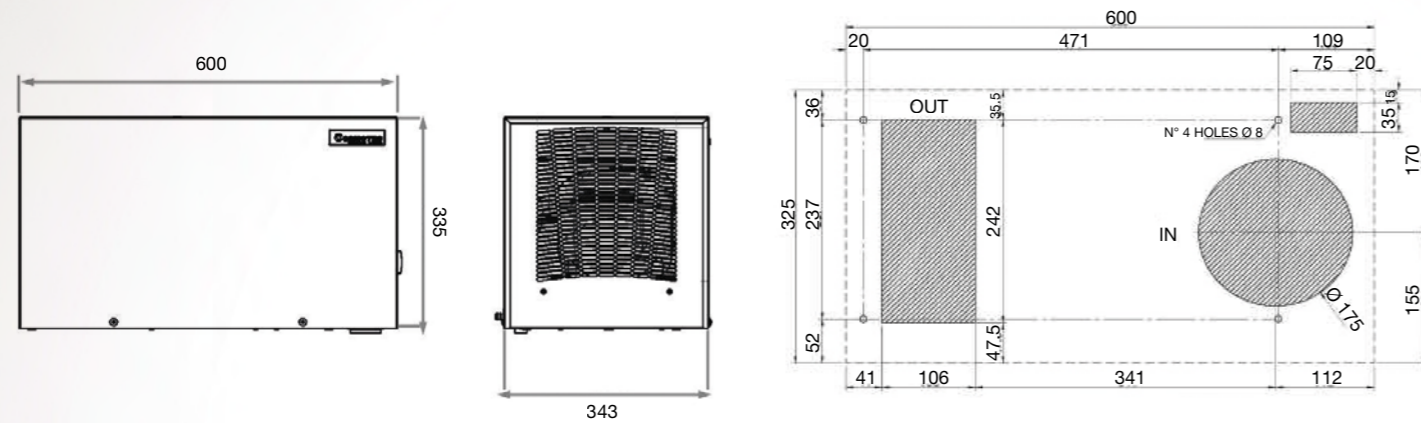
**General alarm contacts, remote control system**

**Protection rating IP according to EN 60529:**  
External circuit IP 34 / Internal circuit IP 54

### LIST OF MODELS

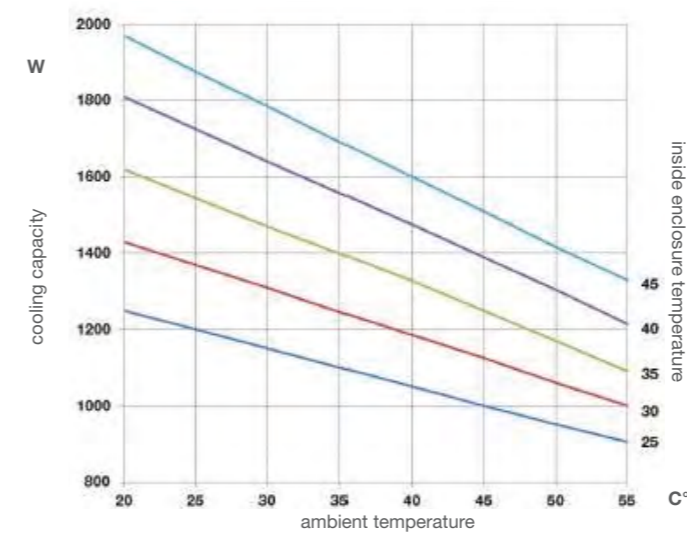
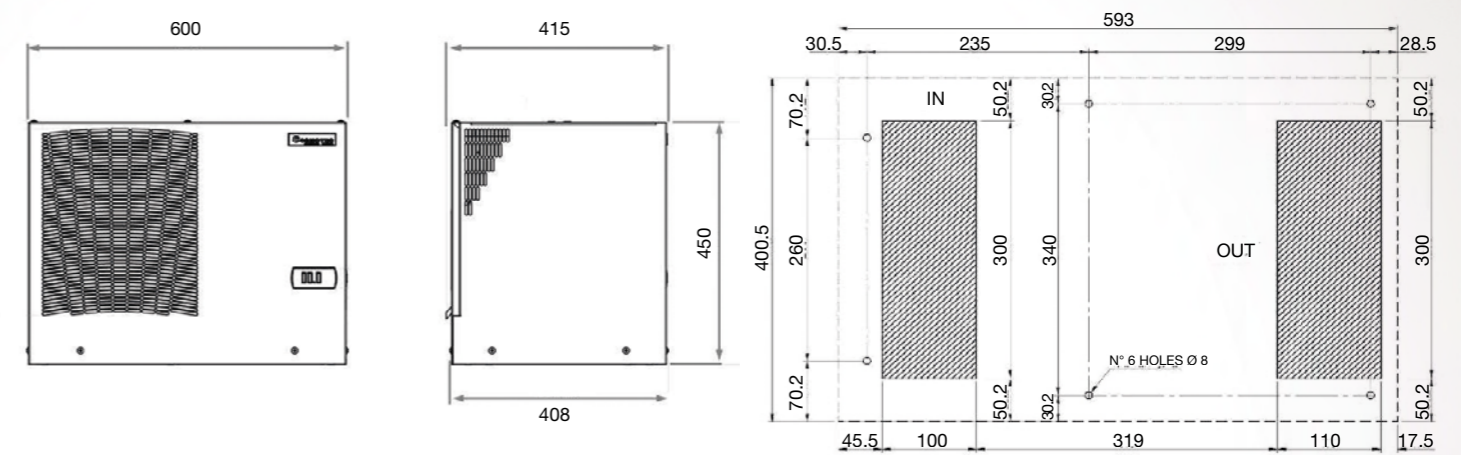
Code	Power W	Power supply V - ph - HZ
KETE090122070	900	230 - 1 - 50/60
KETE140022870	1400	400 - 2 - 50 / 460 - 2 - 60

# ROOF MOUNTED AIR CONDITIONER MODEL KETE09

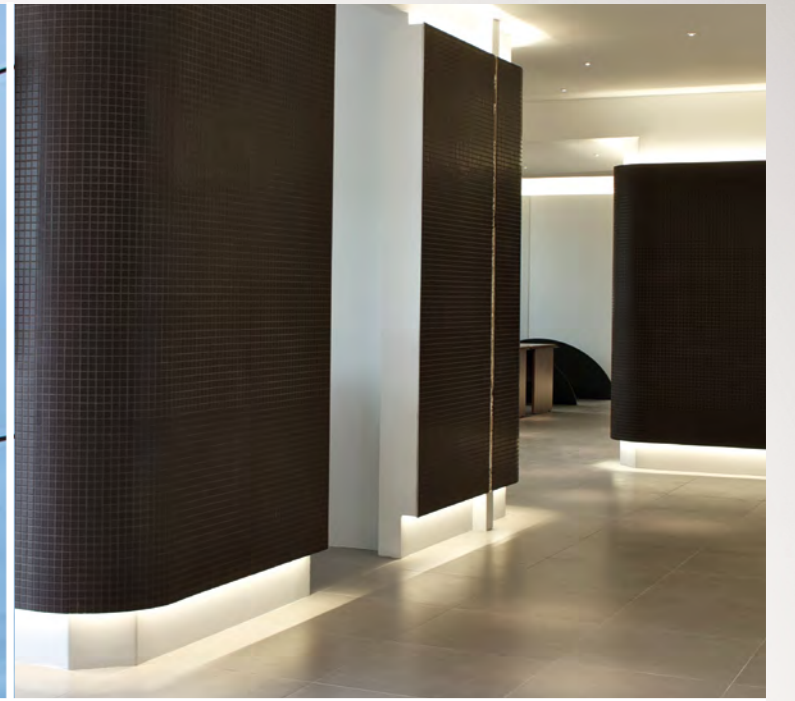


	unit of measure	KETE090122070
Power supply	V - ph - Hz	230-1-50/60
Cooling capacity L35L35	W	900
Cooling capacity L35L50	W	760
Height / Width / Depth	Mm	335 x 600 x 325 (13.19"x23.62"x12.80")
Max. running current	A	3,2
Starting current	A	15
Fuse T	A	6
Power consumption L35L50	W	630
Side cabinet fan flow, free blowing	m3/h	575
Regulation Temperature limits	°C	25/45
Side ambient temperature limits	°C	20/55
Side cabinet protection rating	IP/Type	54
Noise level	dB(A)	67
Weight	kg	31,5

# ROOF MOUNTED AIR CONDITIONER MODEL KETE14



	unit of measure	KETE140022870
Power supply	V - ph - Hz	400-2-50 460-2-60
Cooling capacity L35L35	W	1400
Cooling capacity L35L50	W	1170
Height / Width / Depth	Mm	450 x 600 x 400 (17.72"x23.62"x15.75")
Max. running current	A	2,8
Starting current	A	31
Fuse T	A	10
Power consumption L35L50	W	950
Side cabinet fan flow, free blowing	m3/h	575
Regulation Temperature limits	°C	25/45
Side ambient temperature limits	°C	20/55
Side cabinet protection rating	IP/Type	54
Noise level	dB(A)	58
Weight	kg	53



**IRINOX**  
Inside your needs



Iriinox reserves the right to further developments and technical modifications of its products. Such modifications, along with errors and printing errata, shall not constitute grounds for compensation. We refer customers to our Terms of Sale and delivery.

Cod. 448461 / 2018-1  
ALL RIGHTS RESERVED

**IRINOX S.p.A.**

Via Caduti nei Lager, Z.I Prealpi Loc. Scomigo - 31015 Conegliano (TV) - Italy  
T. +39 0438 2020 - F. +39 0438 2023 - [quadri@irinox.com](mailto:quadri@irinox.com)

**IRINOX**

[www.irinoxquadri.com](http://www.irinoxquadri.com)