

MADE
FOR



COMPACT
CABINETS

EN

IRINOX
Inside your needs

COMPACT CABINETS

- 4 BASE MODEL AS
- 7 BASE CABINET TYPES
- 10 LEXAN DOOR SET
- 12 INTERNAL DOOR SET
- 14 SUMMARY TABLE BASE MODEL AND FITTINGS
- 16 WALL MOUNTED COMPACT CABINET MODEL ASW
- 20 ACCESSORIES
- 34 SUMMARY TABLE AS CABINET ACCESSORIES

TECHNICAL ADVANTAGES

Plinth with removable inspection plates on all 4 sides.

Front insertion of the internal mounting plate on runners.

Internal mounting plate with anti-overturning device for easy mounting.

Shell profile folded 90° to improve gasket sealing efficiency.

Single column cabinet with hinged front door and pre-drilled zinc-coated reinforcement frame.

Lifting eyebolts.

lifting eyebolts

UL certification

door with reinforcement profile

reversible doors





BASE MODEL AS

One-piece shell with welded sides

Cabinets $W \geq 1000$ mm with reinforced back

Hinged front door with pre-drilled zinc-coated reinforcement frame (photo 2)

Front insertion of the internal mounting plate on runners (photo 4)

Internal mounting plate with anti-overturning device (photo 5)

Lifting eyebolts

Bottom panel with single central cable gland plate complete with polyurethane gasket (photo 1)

40/10 stainless steel reinforcement plates on the corners along the depth (top ones for the lifting eyebolts, bottom ones for the plinth)

Internal mounting plate secured to the 4 reinforced corners

Shell profile folded 90° to improve gasket sealing efficiency

Protection rating IP66



** UL certification on request



COMPACT CABINET
BASE MODEL AS

FRONTAL INSERTION OF THE
INTERNAL MOUNTING PLATE
ON RUNNERS

INTERNAL MOUNTING PLATE
WITH ANTI-OVERTURNING
DEVICE

TECHNICAL DESCRIPTION

Type of steel: AISI 304 (Wnr 1.4301) Scotch-brite
Thickness: 1.5 mm (0.06")
Door: solid
Door fixing: hinges
Door opening: 115°
Back panel: welded
Sides: welded
Top: welded
Cabinet bottom: plain cable gland plate complete with polyurethane gasket
Gasket: polyurethane
Internal mounting plate: included, in FeZn 25/10
Locking system: flush swing handle with 3 mm (0.12") double bit lock and internal rods system

CUSTOMIZATION POSSIBILITIES

Dimensions: adaptable on request*

Thickness: adaptable on request*

Material: AISI 316L (Wnr 1.4404)

Finishes: SN Coarse brushed

Gasket: silicone*

* check when placing order

COMPONENTS AVAILABLE ON REQUEST

Stainless steel internal mounting plate

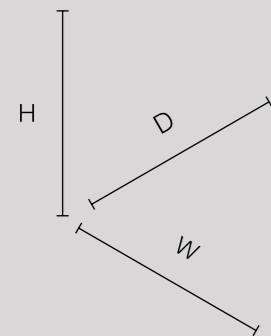
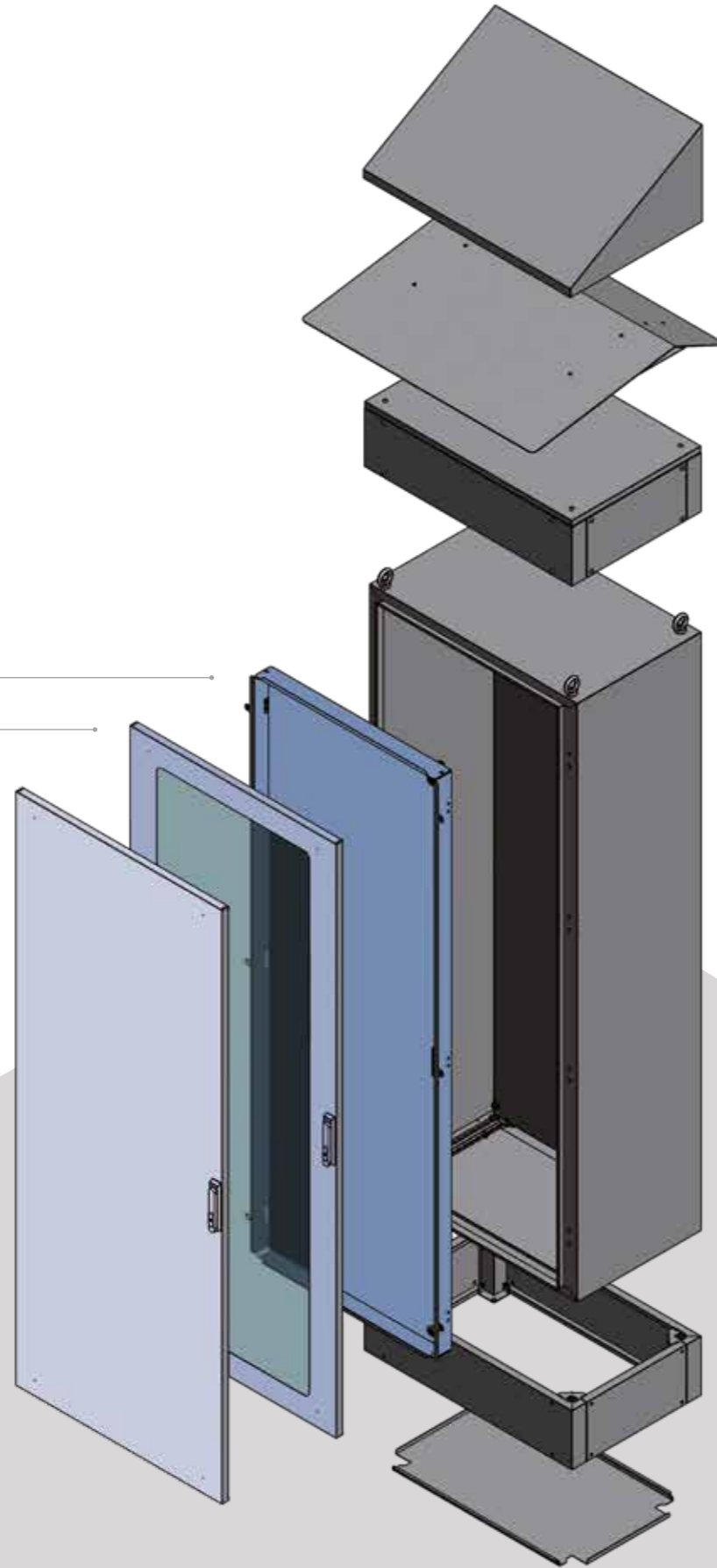
Plinth with removable inspection plates on all 4 sides (photo 3)

Double cable inlet plate (photo 8), fitted as standard exclusively on models with a plinth closing plate, on request for the other models

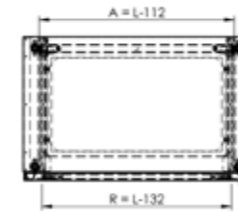
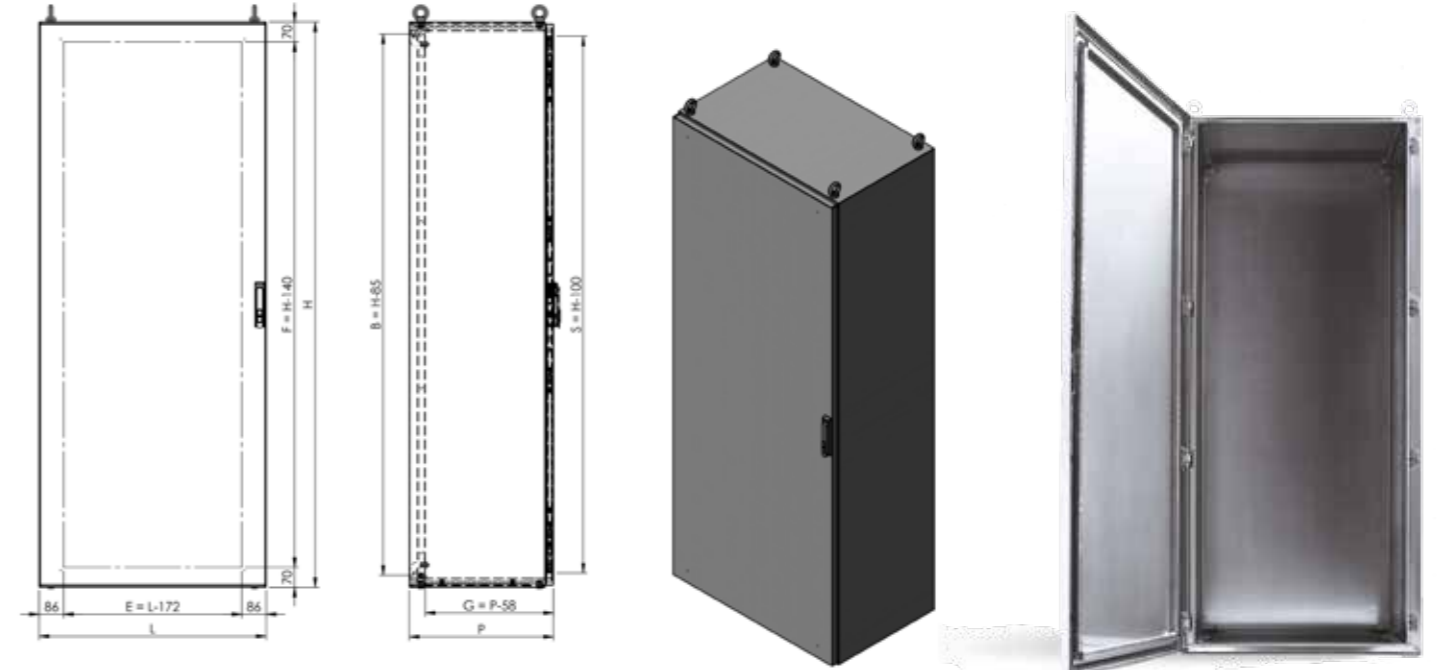


AS COMPACT CABINET
3D layout

internal door
lexan door
door



AS MODEL, CABINET TYPES



L = W (width)
H = H (height)
P = D (depth)

STANDARD CABINET

- _____ Cabinet frame
- _____ Solid door
- _____ Plain cable gland plate
- _____ Standard internal mounting plate in FeZn 25/10

BASE CABINET TYPES

- _____ Cabinet with lexan door (A)
- _____ Cabinet with internal door in
AISI 304 stainless steel (Wnr 1.4301) (B)

To be ordered separately:

Accessories,
see from page 16



AS CABINET DETAILS

Model	Cabinet code	External structure dimensions						No. doors	Kg*	m ³	No. hinges	Mounting plate dimensions				Dimensions of door reinforcement frame				Door drill size				Usable depth		Model
		W		H		D						A		B		R		S		E		F		G		
		mm	in.	mm	in.	mm	in.					mm	in.	mm	in.	mm	in.	mm	in.	mm	in.	mm	in.	mm	in.	
AS 60 180 40	AS0601800400001	602	23.70	1800	70.87	410	16.14	1	88	0,47	4	492	19.37	1715	67.52	470	18.50	1700	66.93	432	17.01	1660	65.35	342	13.46	AS 60 180 40
AS 60 180 50	AS0601800500001	602	23.70	1800	70.87	510	20.08	1	95	0,54	4	492	19.37	1715	67.52	470	18.50	1700	66.93	432	17.01	1660	65.35	442	17.40	AS 60 180 50
AS 60 200 40	AS0602000400001	602	23.70	2000	78.74	410	16.14	1	96	0,5	4	492	19.37	1915	75.39	470	18.50	1900	74.80	432	17.01	1860	73.23	342	13.46	AS 60 200 40
AS 60 200 50	AS0602000500001	602	23.70	2000	78.74	510	20.08	1	104	0,6	4	492	19.37	1915	75.39	470	18.50	1900	74.80	432	17.01	1860	73.23	442	17.40	AS 60 200 50
AS 80 180 40	AS0801800400003	802	31.57	1800	70.87	410	16.14	1	107	0,63	4	692	27.24	1715	67.52	670	26.38	1700	66.93	632	24.88	1660	65.35	342	13.46	AS 80 180 40
AS 80 180 50	AS0801800500001	802	31.57	1800	70.87	510	20.08	1	114	0,72	4	692	27.24	1715	67.52	670	26.38	1700	66.93	632	24.88	1660	65.35	442	17.40	AS 80 180 50
AS 80 200 40	AS0802000400001	802	31.57	2000	78.74	410	16.14	1	116	0,67	4	692	27.24	1915	75.39	670	26.38	1900	74.80	632	24.88	1860	73.23	342	13.46	AS 80 200 40
AS 80 200 50	AS0802000500001	802	31.57	2000	78.74	510	20.08	1	124	0,8	4	692	27.24	1915	75.39	670	26.38	1900	74.80	632	24.88	1860	73.23	442	17.40	AS 80 200 50
AS 100 180 40	AS1001800400001	1002	39.45	1800	70.87	410	16.14	1	127	0,78	4	892	35.12	1715	67.52	870	34.25	1700	66.93	832	32.76	1660	65.35	342	13.46	AS 100 180 40
AS 100 180 50	AS1001800500001	1002	39.45	1800	70.87	510	20.08	1	135	0,9	4	892	35.12	1715	67.52	870	34.25	1700	66.93	832	32.76	1660	65.35	442	17.40	AS 100 180 50
AS 100 200 40	AS1002000400001	1002	39.45	2000	78.74	410	16.14	1	138	0,83	4	892	35.12	1915	75.39	870	34.25	1900	74.80	832	32.76	1860	73.23	342	13.46	AS 100 200 40
AS 100 200 50	AS1002000500001	1002	39.45	2000	78.74	510	20.08	1	147	1	4	892	35.12	1915	75.39	870	34.25	1900	74.80	832	32.76	1860	73.23	442	17.40	AS 100 200 50
AS 120 180 40	AS1201800400001	1202	47.32	1800	70.87	410	16.14	2	151	0,94	4 per door	2x492	2x19.37	1715	67.52	2x470	2x18.50	1700	66.93	2x432	2x17.01	1660	65.35	342	13.46	AS 120 180 40
AS 120 180 50	AS1201800500001	1202	47.32	1800	70.87	510	20.08	2	160	1,08	4 per door	2x492	2x19.37	1715	67.52	2x470	2x18.50	1700	66.93	2x432	2x17.01	1660	65.35	442	17.40	AS 120 180 50
AS 120 200 40	AS1202000400001	1202	47.32	2000	78.74	410	16.14	2	164	1	4 per door	2x492	2x19.37	1915	75.39	2x470	2x18.50	1900	74.80	2x432	2x17.01	1860	73.23	342	13.46	AS 120 200 40
AS 120 200 50	AS1202000500001	1202	47.32	2000	78.74	510	20.08	2	174	1,2	4 per door	2x492	2x19.37	1915	75.39	2x470	2x18.50	1900	74.80	2x432	2x17.01	1860	73.23	442	17.40	AS 120 200 50

* Net weight without packing material

Positioning of the lifting eyebolts:

W (External dimensions) -82 mm (3.23")

D (External dimensions) -90 mm (3.54") [- 50 mm (1.97") from the front / - 40 mm (1.57") from the back]

FITTING SETS

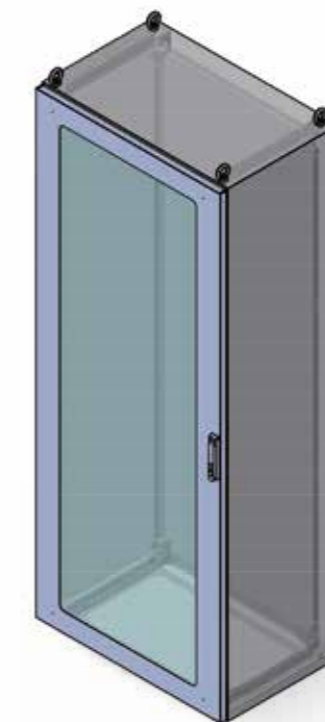
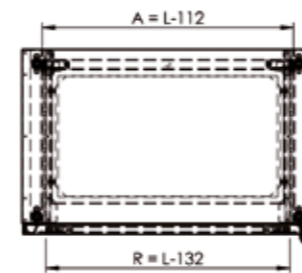
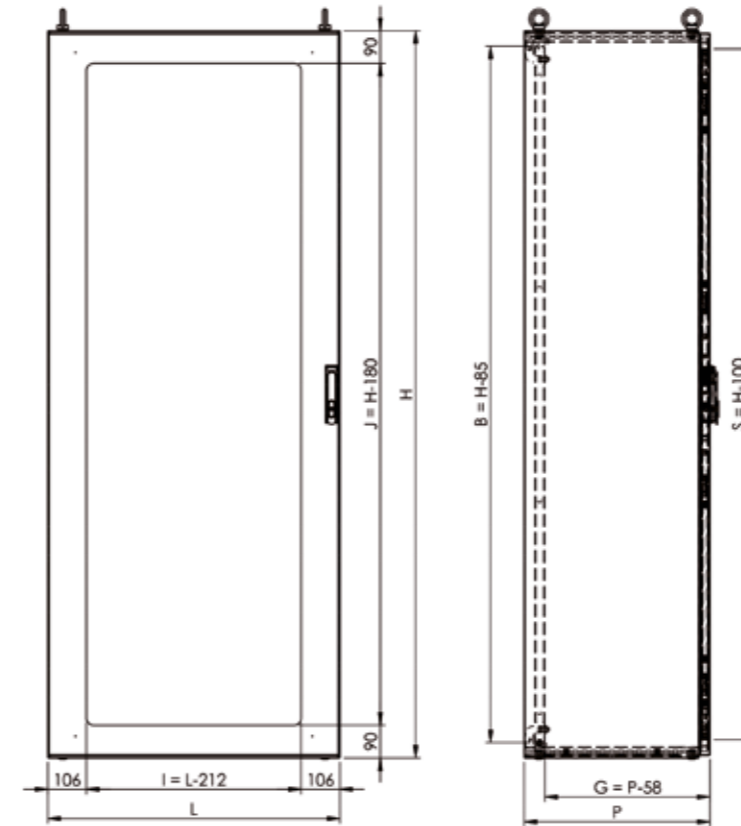
The AS compact cabinet consisting of a base module with blind door is the starting point on which to build different arrangements using the fitting sets shown below.

Each set comprises exclusively the fitting shown; for the base cabinet please refer to the previous pages.

The drawing next to each table shows the fitting set mounted on the base cabinet and the technical details of each fitting.

LEXAN DOOR SET FOR AS COMPACT CABINET

Reference model	Description lexan door for AS cabinet	No. doors	No. hinges	Dimensions of door reinforcement frame				Viewing area			
				R		S		I		J	
				mm	in.	mm	in.	mm	in.	mm	in.
AS 60 180 40	L=600mm (23.62") / H=1800mm (70.87")	1	4	470	18.50	1700	66.93	390	15.35	1620	63.78
AS 60 180 50	L=600 mm (23.62") / H=1800 mm (70.87")	1	4	470	18.50	1700	66.93	390	15.35	1620	63.78
AS 60 200 40	L=600 mm (23.62") / H=2000 mm (78.74")	1	4	470	18.50	1900	74.80	390	15.35	1820	71.65
AS 60 200 50	L=600 mm (23.62") / H=2000 mm (78.74")	1	4	470	18.50	1900	74.80	390	15.35	1820	71.65
AS 80 180 40	L=800 mm (31.50") / H=1800 mm (70.87")	1	4	670	66.93	1700	66.93	590	23.23	1620	63.78
AS 80 180 50	L=800 mm (31.50") / H=1800 mm (70.87")	1	4	670	66.93	1700	66.93	590	23.23	1620	63.78
AS 80 200 40	L=800 mm (31.50") / H=2000 mm (78.74")	1	4	670	66.93	1900	74.80	590	23.23	1820	71.65
AS 80 200 50	L=800 mm (31.50") / H=2000 mm (78.74")	1	4	670	66.93	1900	74.80	590	23.23	1820	71.65
AS 100 180 40	L=1000 mm (39.37") / H=1800 mm (70.87")	1	4	870	34.25	1700	66.93	790	31.10	1620	63.78
AS 100 180 50	L=1000 mm (39.37") / H=1800 mm (70.87")	1	4	870	34.25	1700	66.93	790	31.10	1620	63.78
AS 100 200 40	L=1000 mm (39.37") / H=2000 mm (78.74")	1	4	870	34.25	1900	74.80	790	31.10	1820	71.65
AS 100 200 50	L=1000 mm (39.37") / H=2000 mm (78.74")	1	4	870	34.25	1900	74.80	790	31.10	1820	71.65
AS 120 180 40	L=1200 mm (47.24") / H=1800 mm (70.87")	2	4 per door	2x470	2x18.50	1700	66.93	2x390	2x15.35	1620	63.78
AS 120 180 50	L=1200 mm (47.24") / H=1800 mm (70.87")	2	4 per door	2x470	2x18.50	1700	66.93	2x390	2x15.35	1620	63.78
AS 120 200 40	L=1200 mm (47.24") / H=2000 mm (78.74")	2	4 per door	2x470	2x18.50	1900	74.80	2x390	2x15.35	1820	71.65
AS 120 200 50	L=1200 mm (47.24") / H=2000 mm (78.74")	2	4 per door	2x470	2x18.50	1900	74.80	2x390	2x15.35	1820	71.65



LEXAN DOOR SET

L	width
H	height
P	depth
A	internal mounting plate width
B	internal mounting plate height
R	frame width
S	frame height
I	viewing area width
J	viewing area height
G	usable depth



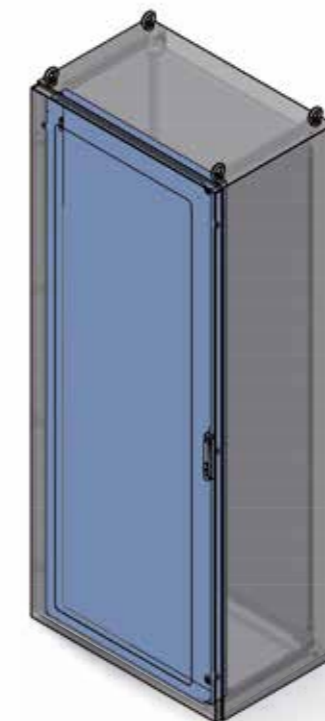
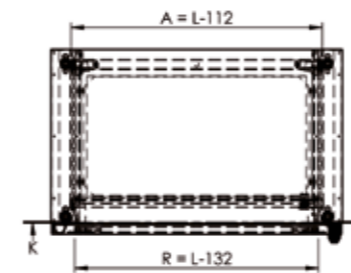
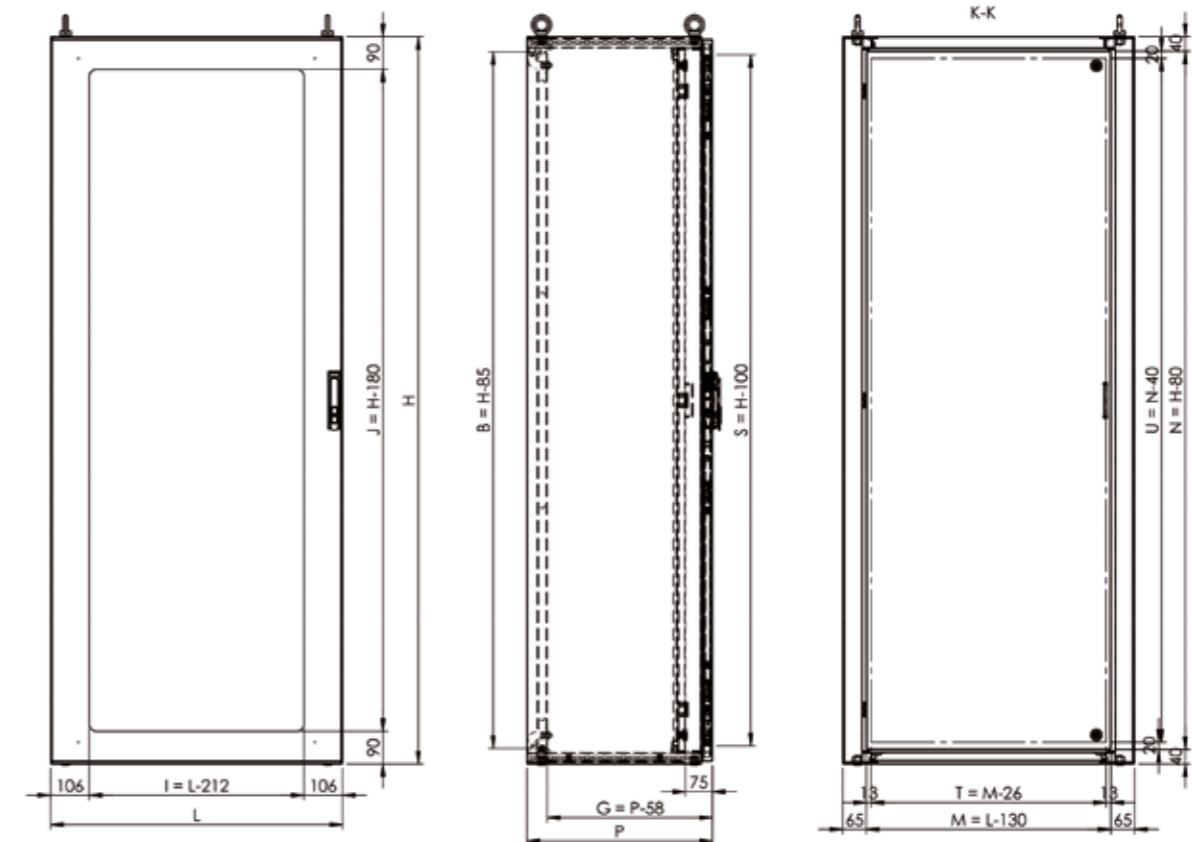
**UL certification on request

STAINLESS STEEL INTERNAL DOOR SET FOR AS COMPACT CABINETS

Reference model	Description internal door for AS cabinet	No. Doors	Dimensions internal door for AS cabinet				Internal door drill size			
			M		N		T		U	
			mm	in.	mm	in.	mm	in.	mm	in.
AS 60 180 40	L=600mm (23.62") / H=1800mm (70.87")	1	472	18.58	1720	67.72	446	17.56	1680	66.14
AS 60 180 50	L=600 mm (23.62") / H=1800 mm (70.87")	1	472	18.58	1720	67.72	446	17.56	1680	66.14
AS 60 200 40	L=600 mm (23.62") / H=2000 mm (78.74")	1	472	18.58	1920	75.59	446	17.56	1880	74.02
AS 60 200 50	L=600 mm (23.62") / H=2000 mm (78.74")	1	472	18.58	1920	75.59	446	17.56	1880	74.02
AS 80 180 40	L=800 mm (31.50") / H=1800 mm (70.87")	1	672	26.46	1720	67.72	646	25.43	1680	66.14
AS 80 180 50	L=800 mm (31.50") / H=1800 mm (70.87")	1	672	26.46	1720	67.72	646	25.43	1680	66.14
AS 80 200 40	L=800 mm (31.50") / H=2000 mm (78.74")	1	672	26.46	1920	75.59	646	25.43	1880	74.02
AS 80 200 50	L=800 mm (31.50") / H=2000 mm (78.74")	1	672	26.46	1920	75.59	646	25.43	1880	74.02
AS 100 180 40	L=1000 mm (39.37") / H=1800 mm (70.87")	1	872	34.33	1720	67.72	846	33.31	1680	66.14
AS 100 180 50	L=1000 mm (39.37") / H=1800 mm (70.87")	1	872	34.33	1720	67.72	846	33.31	1680	66.14
AS 100 200 40	L=1000 mm (39.37") / H=2000 mm (78.74")	1	872	34.33	1920	75.59	846	33.31	1880	74.02
AS 100 200 50	L=1000 mm (39.37") / H=2000 mm (78.74")	1	872	34.33	1920	75.59	846	33.31	1880	74.02
AS 120 180 40	L=1200 mm (47.24") / H=1800 mm (70.87")	2	2x533	2x20.98	1675	65.94	2x507	2x19.96	1635	64.37
AS 120 180 50	L=1200 mm (47.24") / H=1800 mm (70.87")	2	2x533	2x20.98	1675	65.94	2x507	2x19.97	1635	64.37
AS 120 200 40	L=1200 mm (47.24") / H=2000 mm (78.74")	2	2x533	2x20.98	1875	73.82	2x507	2x19.98	1835	72.24
AS 120 200 50	L=1200 mm (47.24") / H=2000 mm (78.74")	2	2x533	2x20.98	1875	73.82	2x507	2x19.99	1835	72.24

There is a 75 mm (2.95") distance between internal and external door.

The standard set is with a lexan door. Please specify when placing an order/enquiry if solid door is required.



STAINLESS STEEL INTERNAL DOOR SET

L	width
H	height
P	depth
A	internal mounting plate width
B	internal mounting plate height
R	frame width
S	frame height
M	internal door width
N	internal door height
T	internal door drill width
U	internal door drill height
G	usable depth



** UL certification on request

SUMMARY TABLE BASE MODEL AS AND FITTINGS

Summary table base AS cabinet and fittings. For further details and drawings please refer to the relevant sections.

Model	External dimensions						No. doors	Kg	m ³	No. hinges	Internal mounting plate dimensions				Dimensions of door reinforcement frame				Internal door dimensions				Viewing area				Door drill size				Internal door drill size				Usable depth				Certification				Model
	L		H		P						A		B		R		S		M		N		I		J		E		F		T		U		P		IP 66 IK 10	UL type 1,12,4,4x	EX 3D 3G	IP69K			
	mm	in.	mm	in.	mm	in.					mm	in.	mm	in.	mm	in.	mm	in.	mm	in.	mm	in.	mm	in.	mm	in.	mm	in.	mm	in.	mm	in.	mm	in.	mm	in.							
AS 60 180 40	602	23.70	1800	70.87	410	16.14	1	88	0.47	4	492	19.37	1715	67.52	470	18.50	1700	66.93	472	18.58		1720	67.72	390	15.35	1620	63.78	432	17.01	1660	65.35	446	17.56	1680	66.14	342	13.46	√	on request	on request	on request	AS 60 180 40	
AS 60 180 50	602	23.70	1800	70.87	510	20.08	1	95	0.54	4	492	19.37	1715	67.52	470	18.50	1700	66.93	472	18.58		1720	67.72	390	15.35	1620	63.78	432	17.01	1660	65.35	446	17.56	1680	66.14	442	17.40	√	on request	on request	on request	AS 60 180 50	
AS 60 200 40	602	23.70	2000	78.74	410	16.14	1	96	0.5	4	492	19.37	1915	75.39	470	18.50	1900	74.80	472	18.58		1920	75.59	390	15.35	1820	71.65	432	17.01	1860	73.23	446	17.56	1880	74.02	342	13.46	√	on request	on request	on request	AS 60 200 40	
AS 60 200 50	602	23.70	2000	78.74	510	20.08	1	104	0.6	4	492	19.37	1915	75.39	470	18.50	1900	74.80	472	18.58		1920	75.59	390	15.35	1820	71.65	432	17.01	1860	73.23	446	17.56	1880	74.02	442	17.40	√	on request	on request	on request	AS 60 200 50	
AS 80 180 40	802	31.57	1800	70.87	410	16.14	1	107	0.63	4	692	27.24	1715	67.52	670	26.38	1700	66.93	672	26.46		1720	67.72	590	23.23	1620	63.78	632	24.88	1660	65.35	646	25.43	1680	66.14	342	13.46	√	on request	on request	on request	AS 80 180 40	
AS 80 180 50	802	31.57	1800	70.87	510	20.08	1	114	0.72	4	692	27.24	1715	67.52	670	26.38	1700	66.93	672	26.46		1720	67.72	590	23.23	1620	63.78	632	24.88	1660	65.35	646	25.43	1680	66.14	442	17.40	√	on request	on request	on request	AS 80 180 50	
AS 80 200 40	802	31.57	2000	78.74	410	16.14	1	116	0.67	4	692	27.24	1915	75.39	670	26.38	1900	74.80	672	26.46		1920	75.59	590	23.23	1820	71.65	632	24.88	1860	73.23	646	25.43	1880	74.02	342	13.46	√	on request	on request	on request	AS 80 200 40	
AS 80 200 50	802	31.57	2000	78.74	510	20.08	1	124	0.8	4	692	27.24	1915	75.39	670	26.38	1900	74.80	672	26.46		1920	75.59	590	23.23	1820	71.65	632	24.88	1860	73.23	646	25.43	1880	74.02	442	17.40	√	on request	on request	on request	AS 80 200 50	
AS 100 180 40	1002	39.45	1800	70.87	410	16.14	1	127	0.78	4	892	35.12	1715	67.52	870	34.25	1700	66.93	872	34.33		1720	67.72	790	31.10	1620	63.78	832	32.76	1660	65.35	846	33.31	1680	66.14	342	13.46	√	on request	on request	on request	AS 100 180 40	
AS 100 180 50	1002	39.45	1800	70.87	510	20.08	1	135	0.9	4	892	35.12	1715	67.52	870	34.25	1700	66.93	872	34.33		1720	67.72	790	31.10	1620	63.78	832	32.76	1660	65.35	846	33.31	1680	66.14	442	17.40	√	on request	on request	on request	AS 100 180 50	
AS 100 200 40	1002	39.45	2000	78.74	410	16.14	1	138	0.83	4	892	35.12	1915	75.39	870	34.25	1900	74.80	872	34.33		1920	75.59	790	31.10	1820	71.65	832	32.76	1860	73.23	846	33.31	1880	74.02	342	13.46	√	on request	on request	on request	AS 100 200 40	
AS 100 200 50	1002	39.45	2000	78.74	510	20.08	1	147	1	4	892	35.12	1915	75.39	870	34.25	1900	74.80	872	34.33		1920	75.59	790	31.10	1820	71.65	832	32.76	1860	73.23	846	33.31	1880	74.02	442	17.40	√	on request	on request	on request	AS 100 200 50	
AS 120 180 40	1202	47.32	1800	70.87	410	16.14	2	151	0.94	4 per doors	1090	2x19.37	1715	67.52	2x470	2x18.50	1700	66.93	2x533	2x20.98		1675	65.94	2x390	2x15.35	1620	63.78	2x432	2x17.01	1660	65.35	2x507	2x19.96	1635	64.37	342	13.46	√	on request			AS 120 180 40	
AS 120 180 50	1202	47.32	1800	70.87	510	20.08	2	160	1.08	4 per doors	1090	2x19.37	1715	67.52	2x470	2x18.50	1700	66.93	2x533	2x20.98		1675	65.94	2x390	2x15.35	1620	63.78	2x432	2x17.01	1660	65.35	2x507	2x19.96	1635	64.37	442	17.40	√	on request			AS 120 180 50	
AS 120 200 40	1202	47.32	2000	78.74	410	16.14	2	164	1	4 per doors	1090	2x19.37	1915	75.39	2x470	2x18.50	1900	74.80	2x533	2x20.98		1875	73.82	2x390	2x15.35	1820	71.65	2x432	2x17.01	1860	73.23	2x507	2x19.96	1835	72.24	342	13.46	√	on request			AS 120 200 40	
AS 120 200 50	1202	47.32	2000	78.74	510	20.08	2	174	1.2	4 per doors	1090	2x19.37	1915	75.39	2x470	2x18.50	1900	74.80	2x533	2x20.98		1875	73.82	2x390	2x15.35	1820	71.65	2x432	2x17.01	1860	73.23	2x507	2x19.96	1835	72.24	442	17.40	√	on request			AS 120 200 50	



WALL MOUNTED COMPACT CABINET MODEL ASW

Compact cabinet in stainless steel AISI 304 (Wnr 1.4301) with hinged solid door

Door opening: 115°, with hinges on the left

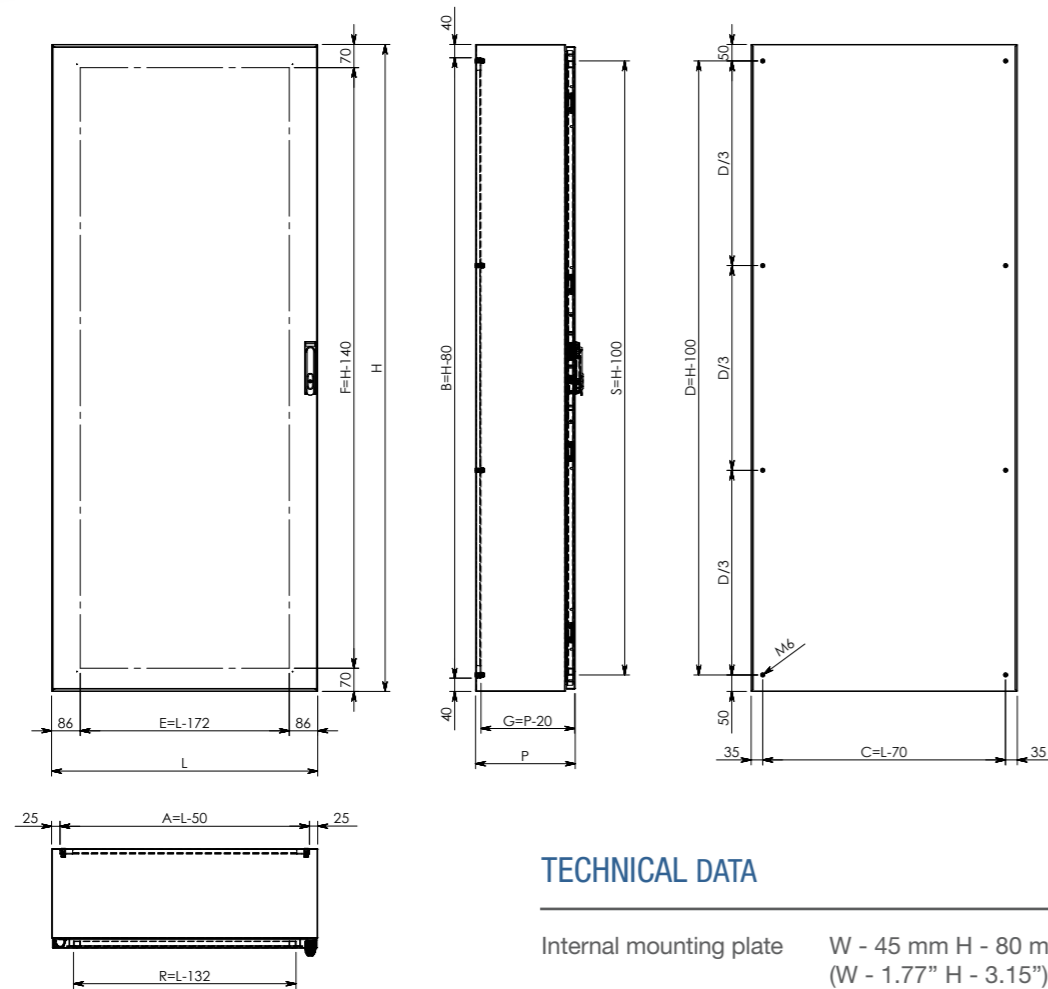
Internal mounting plate 25/10 FeZn. IP 66 protection rating

Models wider than 1000 mm (39.37") are fitted with two solid doors closing one onto the other, with no central post IP66

ARMADIO COMPATTO
A PARETE AD ANTA CIECA
MODELLO ASW

INSERIMENTO FRONTALE
PIASTRA SU PATTINI

FERMO ANTI RIBALTAMENTO
PIASTRA



TECHNICAL DATA

Internal mounting plate	W - 45 mm H - 80 mm (W - 1.77" H - 3.15")
Door drill size	W - 170 mm H - 140 mm (W - 6.69" H - 5.51")
Usable depth	D - 20 mm (D - 0.79")

L = W (width) H = H (height) P = D (depth)

TECHNICAL DESCRIPTION

Type of steel: AISI 304 (Wnr 1.4301) Scotch-brite
Thickness: 1.5 mm (0.06")
Door: solid
Door fixing: hinges
Door opening: 115°
Back panel: welded
Sides: welded
Top: welded
Cabinet bottom: welded
Gasket: polyurethane
Internal mounting plate: included, in FeZn 25/10
Locking system: flush swing handle with 3 mm (0.12") double bit lock and internal rods system

CUSTOMIZATION POSSIBILITIES

Dimensions: adaptable on request*
(on 50 mm step for width/height and on 10 mm step for depth)

Thickness: adaptable on request*

Material: AISI 316L (Wnr 1.4404) Scotch-brite

Finishes: SN Coarse brushed*

Gasket: silicone

Back fixing: M8 studs, M8 bushings, M10 bushings

* check when placing order

COMPONENTS AVAILABLE ON REQUEST

Stainless steel internal mounting plate



** UL certification on request

SUMMARY TABLE WALL MOUNTED COMPACT CABINET MODEL ASW

Model	Code	External dimensions						No. doors	Kg*	No. hinges	Mounting plate dimensions				Dimensions of door reinforcement frame				Door drill size				Usable depth		Certification				Model
		W		H		D					A		B		R		S		E		F		G		IP 66 IK 10	UL type 1,12,4,4x	EX 3D3G	IP69K	
		mm	in.	mm	in.	mm	in.				mm	in.	mm	in.	mm	in.	mm	in.	mm	in.	mm	in.	mm	in.					
ASW 60 180 30	AW0601800300007	602	23.70	1800	70.87	300	11,81	1	85	4	557	21,93	1720	67,72	470	18,50	1700	66.93	430	16,93	1660	65.35	280	11,02	√	on request	on request	on request	ASW 60 180 30
ASW 60 180 40	AW0601800400002	602	23.70	1800	70.87	400	15,75	1	90	4	557	21,93	1720	67,72	470	18,50	1700	66.93	430	16,93	1660	65.35	380	14,96	√	on request	on request	on request	ASW 60 180 40
ASW 60 200 30	AW0602000300001	602	23.70	2000	78.74	300	11,81	1	90	4	557	21,93	1920	75,59	470	18,50	1900	74.80	430	16,93	1860	73.23	280	11,02	√	on request	on request	on request	ASW 60 200 30
ASW 60 200 40	AW0602000400001	602	23.70	2000	78.74	400	15,75	1	100	4	557	21,93	1920	75,59	470	18,50	1900	74.80	430	16,93	1860	73.23	380	14,96	√	on request	on request	on request	ASW 60 200 40
ASW 80 180 30	AW0801800300002	802	31.57	1800	70.87	300	11,81	1	100	4	757	29,80	1720	67,72	670	26,38	1700	66.93	630	24,80	1660	65.35	280	11,02	√	on request	on request	on request	ASW 80 180 30
ASW 80 180 40	AW0801800400004	802	31.57	1800	70.87	400	15,75	1	105	4	757	29,80	1720	67,72	670	26,38	1700	66.93	630	24,80	1660	65.35	380	14,96	√	on request	on request	on request	ASW 80 180 40
ASW 80 200 30	AW0802000300001	802	31.57	2000	78.74	300	11,81	1	110	4	757	29,80	1920	75,59	670	26,38	1900	74.80	630	24,80	1860	73.23	280	11,02	√	on request	on request	on request	ASW 80 200 30
ASW 80 200 40	AW0802000400002	802	31.57	2000	78.74	400	15,75	1	120	4	757	29,80	1920	75,59	670	26,38	1900	74.80	630	24,80	1860	73.23	380	14,96	√	on request	on request	on request	ASW 80 200 40
ASW 100 180 30	AW1001800300001	1002	39.45	1800	70.87	300	11,81	1	120	4	957	37,68	1720	67,72	870	34,25	1700	66.93	830	32,68	1660	65.35	280	11,02	√	on request	on request	on request	ASW 100 180 30
ASW 100 180 40	AW1001800400009	1002	39.45	1800	70.87	400	15,75	1	130	4	957	37,68	1720	67,72	870	34,25	1700	66.93	830	32,68	1660	65.35	380	14,96	√	on request	on request	on request	ASW 100 180 40
ASW 100 200 30	AW1002000300001	1002	39.45	2000	78.74	300	11,81	1	130	4	957	37,68	1920	75,59	870	34,25	1900	74.80	830	32,68	1860	73.23	280	11,02	√	on request	on request	on request	ASW 100 200 30
ASW 100 200 40	AW1002000400001	1002	39.45	2000	78.74	400	15,75	1	140	4	957	37,68	1920	75,59	870	34,25	1900	74.80	830	32,68	1860	73.23	380	14,96	√	on request	on request	on request	ASW 100 200 40
ASW 120 180 30	AW1201800300001	1202	47.32	1800	70.87	300	11,81	2	145	4 per doors	1157	45,55	1720	67,72	2x470	2x18.50	1700	66.93	2x430	2x16.93	1660	65.35	280	11,02	√	on request			ASW 120 180 30
ASW 120 180 40	AW1201800400005	1202	47.32	1800	70.87	400	15,75	2	155	4 per doors	1157	45,55	1720	67,72	2x470	2x18.50	1700	66.93	2x430	2x16.93	1660	65.35	380	14,96	√	on request			ASW 120 180 40
ASW 120 200 30	AW1202000300001	1202	47.32	2000	78.74	300	11,81	2	160	4 per doors	1157	45,55	1920	75,59	2x470	2x18.50	1900	74.80	2x430	2x16.93	1860	73.23	280	11,02	√	on request			ASW 120 200 30
ASW 120 200 40	AW1202000400004	1202	47.32	2000	78.74	400	15,75	2	170	4 per doors	1157	45,55	1920	75,59	2x470	2x18.50	1900	74.80	2x430	2x16.93	1860	73.23	380	14,96	√	on request			ASW 120 200 40

* Net weight without packing material

A wide range of accessories is available to complete each standard or bespoke model so that all specific needs are met. Because accessories require special machining they may cause a change in the IP protection rating or in certification. Please specify them when placing the order/enquiry.

CABLE GLAND PLATES

Cable gland plate in AISI 304 stainless steel (Wnr 1.4301) suitable for application with cable glands. Plain cable gland plate on all standard compact cabinets; interchangeable with a double cable gland plate on request.

PLAIN CABLE GLAND PLATE (fitted as standard)

Model	Base model AS	Cabinet with lexan door AV	Cabinet with lexan door and internal door ASV	Wall mounted compact cabinet ASW
AS 60 40 AS 60 50	•	•	•	
AS 80 40 AS 80 50	•	•	•	
AS 100 40 AS 100 50	•	•	•	
AS 120 40 AS 120 50	•	•	•	

DOUBLE CABLE GLAND PLATE

Model	Base model AS	Cabinet with lexan door AV	Cabinet with lexan door and internal door ASV	Wall mounted compact cabinet ASW
AS 60 40 AS 60 50	•	•	•	
AS 80 40 AS 80 50	•	•	•	
AS 100 40 AS 100 50	•	•	•	
AS 120 40 AS 120 50	•	•	•	



Please specify the accessories you require when placing an order/enquiry.

EXTERNAL ACCESSORIES

PLINTH

Plinth in AISI 304 stainless steel (Wnr 1.4301) for floor-mounted cabinets, with removable inspection plates on all 4 sides, open on the bottom.

Positioning of fixing holes \varnothing 12 mm (0.47")

W: (External dimensions) - 160 mm (6.30")

D: (External dimensions) - 168 mm (6.61") - from the front: 89 mm (3.50") /
from the back: 79 mm (3.11")

Model	Base model AS	Cabinet with lexan door AV	Cabinet with lexan door and internal door ASV	Wall mounted compact cabinet ASW
AS 60 40 AS 60 50	•	•	•	
AS 80 40 AS 80 50	•	•	•	
AS 100 40 AS 100 50	•	•	•	
AS 120 40 AS 120 50	•	•	•	



PLINTH CLOSING PLATE*

Bottom screwed closing plate in AISI 304 stainless steel (Wnr 1.4301).

Model	Base model AS	Cabinet with lexan door AV	Cabinet with lexan door and internal door ASV	Wall mounted compact cabinet ASW
AS 60 40 AS 60 50	•	•	•	
AS 80 40 AS 80 50	•	•	•	
AS 100 40 AS 100 50	•	•	•	
AS 120 40 AS 120 50	•	•	•	



For feet
and casters
see page 23

* The plinth closing plate comes with a double cable gland plate as standard

Please specify the accessories you require when placing an order/enquiry.

CABLE COMPARTMENT BOX FOR COMPACT CABINETS

Cable compartment box in AISI 304 stainless steel (Wnr 1.4301) to be mounted above the cabinets to protect cables and power distribution units, H = 200 mm (7.87").

Description	External dimensions W x D	Base model AS	Cabinet with lexan door AV	Cabinet with lexan door and internal door ASV	Wall mounted compact cabinet ASW
Cable compartment box AS 60 40 Cable compartment box AS 60 50	600 x 400 mm / 23.62" x 15.75" 600 x 500 mm / 23.62" x 19.69"	•	•	•	
Cable compartment box AS 80 40 Cable compartment box AS 80 50	800 x 400 mm / 31.50" x 15.75" 800 x 500 mm / 31.50" x 19.69"	•	•	•	
Cable compartment box AS 100 40 Cable compartment box AS 100 50	1000 x 400 mm / 39.37" x 15.75" 1000 x 500 mm / 39.37" x 19.69"	•	•	•	
Cable compartment box AS 120 40 Cable compartment box AS 120 50	1200 x 400 mm / 47.24" x 15.75" 1200 x 500 mm / 47.24" x 19.69"	•	•	•	



ROOFS

Roof in AISI 304 stainless steel (Wnr 1.4301) for enclosures exposed to the weather (1). Also available in the 30° sloped version for dust protection (2). Both models are fixed to the cabinet through M12 bushings.

Model	Rain canopy code (1)	30° sloped roof for dust protection code (2)	Base model AS	Cabinet with lexan door AV	Cabinet with lexan door and internal door ASV	Wall mounted compact cabinet ASW
AS 60 40 AS 60 50	TAAR0600400001 TAAR0600500001	0133730570 0133730650	•	•	•	
AS 80 40 AS 80 50	TAAR0800400001 TAAR0800500002	0133730580 0133730660	•	•	•	
AS 100 40 AS 100 50	TAAR1000400001 TAAR1000500001	0133730590 0133730670	•	•	•	
AS 120 40 AS 120 50	TAAR1200400002 TAAR1200500001	0133730600 0133730680	•	•	•	



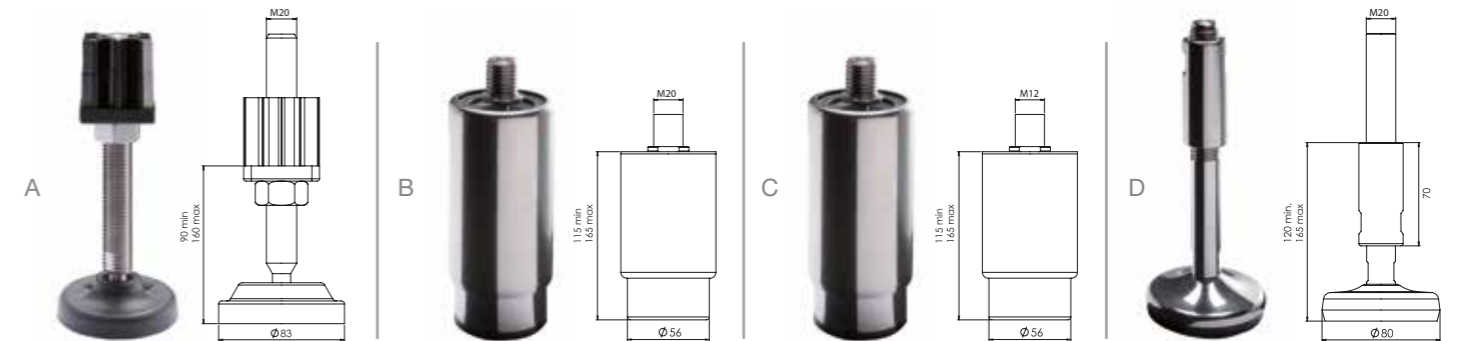
Please specify the accessories you require when placing an order/enquiry.

FEET AND CASTERS

FEET

A wide range of height-adjustable feet. As special machining of the cabinet is required for attaching the feet, please indicate when placing an order.

Code	Description	Base model AS	Cabinet with lexan door AV	Cabinet with lexan door and internal door ASV	Wall mounted compact cabinet ASW
0133750002	Set of 4 feet M20 Ø 80 (3.15") (A)	•	•	•	
013707615	Set of 4 adjustable cylindrical feet in AISI 304 stainless steel (Wnr 1.4301) Ø 60 (2.36") with M 20 pivot. Load capacity of each foot 800 N (only for cabinets with plinth). (B)	•	•	•	
013707620	Set of 4 adjustable cylindrical feet in AISI 304 stainless steel (Wnr 1.4301) Ø 60 (2.36") with M 12 pivot. Load capacity of each foot 800 N (C)	•	•	•	
013707500	Set of 4 Hygienic feet M20 Ø 80 (3.15") in AISI 304 stainless steel (Wnr 1.4301). (D)	•	•	•	



CASTERS

Code	Description	Base model AS	Cabinet with lexan door AV	Cabinet with lexan door and internal door ASV	Wall mounted compact cabinet ASW
013707700	Set of 4 swivel casters Ø 80 mm (3.15") in FeZn, two with brake, two without brake. Load capacity of each caster 800 N (A)	•	•	•	
013707710	Set of 4 swivel casters Ø 80 mm (3.15") in stainless steel, two with brake, two without brake. Load capacity of each caster 800 N (B)	•	•	•	



For plinth, see page 21

Please specify the accessories you require when placing an order/enquiry.

WINDOWS

FPH FRAMED PROTECTIVE WINDOWS

with frame in AISI 304 stainless steel (Wnr 1.4301) and:

clear lexan door (4 mm thick UV-resistant clear polycarbonate sheet).

Concealed hinges in AISI 304 stainless steel for 145° opening.

Locking system: 5 mm chromed zamak lock with double bit insert.

Maximum hygiene thanks to the special design that facilitates cleaning.

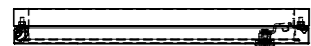
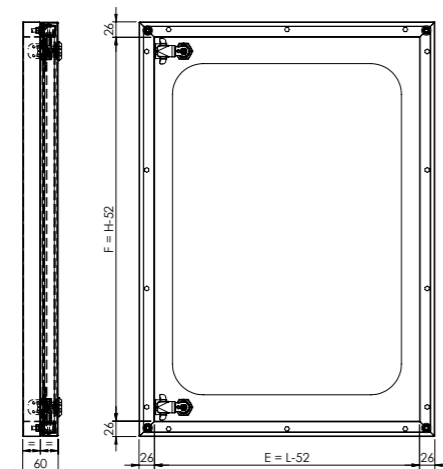
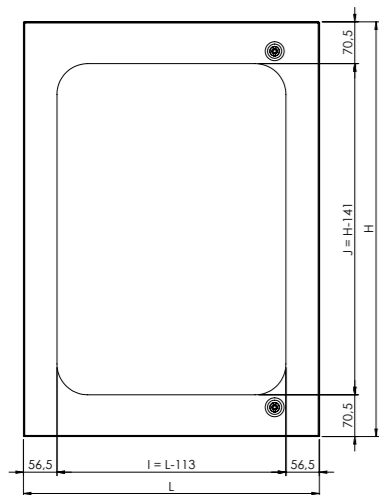
Double rear gasket for maximum protection.

Strike plates in AISI 304 stainless steel (Wnr 1.4301) help the door self centre and prevent gasket squeezing.

cURus certification on request (4 mm thick UL-certified clear polycarbonate sheet).

On request: bespoke dimensions, 3+3 shatter proof glass panels, AISI 316L stainless steel (Wnr 1.4404), stainless steel locks, vertical lift gas struts.

IP 66 protection rating.



L = W (width)
H = H (height)
P = D (depth)

Model	Code	Base model AS	Cabinet with lexan door AV	Cabinet with lexan door and internal door ASV	Wall mounted compact cabinet ASW
FPH 50 50	013701022	•			•
FPH 50 70	013701032	•			•
FPH 70 50	013701042	•			•
FPH 75 75	013701052	•			•

Model	Code	External dimensions mm						Viewing area				Working surface				Certification cURus		
		W		H		D		I		J		E		F				
		mm	in.	mm	in.	mm	in.	mm	in.	mm	in.	mm	in.	mm	in.	mm	in.	
FPH 50 50	FH0500500060001	500	19.69	500	19.69	60	2.36	387	15.24	359	14.13	448	17.64	448	17.64			on request
FPH 50 70	FH0500700060002	500	19.69	700	27.56	60	2.36	387	15.24	559	22.01	448	17.64	648	25.51			on request
FPH 70 50	FH0700500060001	700	27.56	500	19.69	60	2.36	587	23.11	359	14.13	648	25.51	448	17.64			on request
FPH 75 75	FH0750750060001	750	29.53	750	29.53	60	2.36	637	25.08	609	23.98	698	27.48	698	27.48			on request

Please specify the accessories you require when placing an order/enquiry.

WALL-MOUNTED FP PROTECTIVE WINDOWS

with frame in AISI 304 stainless steel (Wnr 1.4301) and:

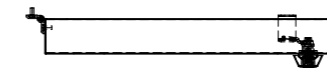
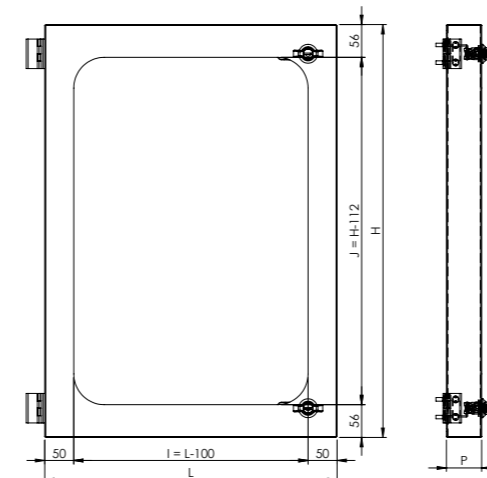
Clear lexan door (4 mm thick UV-resistant clear polycarbonate sheet).

Hinged door, 180° opening.

Fastner wingknob latches with EK333 key.

On request: bespoke dimensions, 3+3 shatter proof glass panels, AISI 316L stainless steel (Wnr 1.4404).

Also on request: stainless steel locks, vertical lift gas struts.



L = W (width)
H = H (height)
P = D (depth)

Model	Code	Base model AS	Cabinet with lexan door AV	Cabinet with lexan door and internal door ASV	Wall mounted compact cabinet ASW
FP 50 50	013701020	•			•
FP 50 70	013701030	•			•
FP 70 50	013701040	•			•
FP 75 75	013701050	•			•

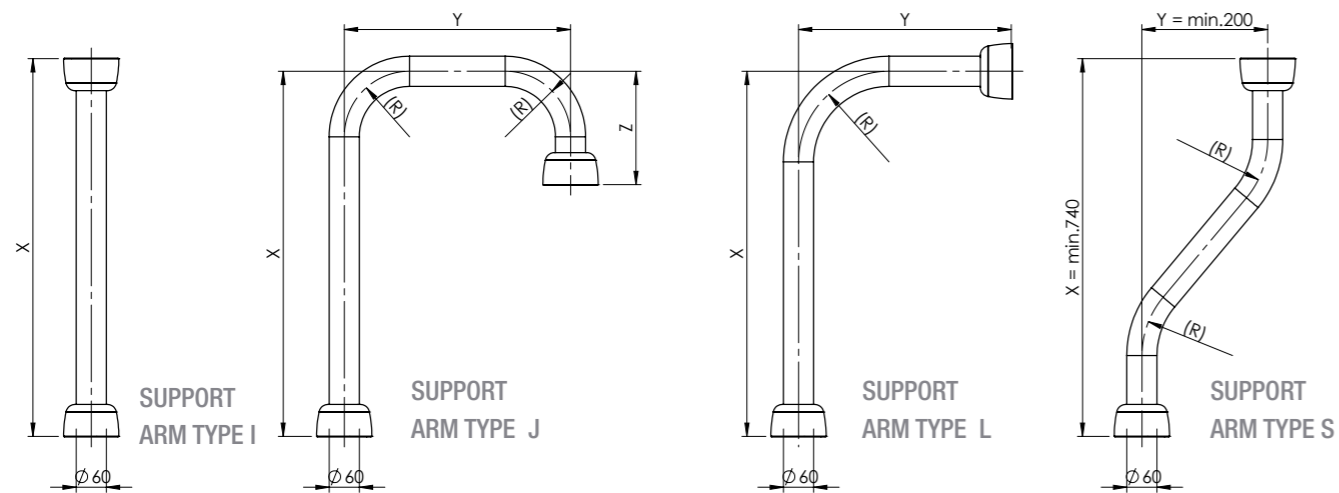
Model	Code	External dimensions mm						Viewing area				Certification	IP65IK10		
		L		H		P		I		J					
		mm	in.	mm	in.	mm	in.	mm	in.	mm	in.	mm	in.		
FP 50 50	FP0500500060001	500	19.69	500	19.69	60	2.36	400	15.75	388	15.28			not available	✓
FP 50 70	FP0500700060001	500	19.69	700	27.56	60	2.36	401	15.79	589	23.19			not available	✓
FP 70 50	FP0700500060001	700	27.56	500	19.69	60	2.36	601	23.66	389	15.31			not available	✓
FP 75 75	FP0750750060001	750	29.53	750	29.53	60	2.36	651	25.63	639	25.16			not available	✓

Please specify the accessories you require when placing an order/enquiry.

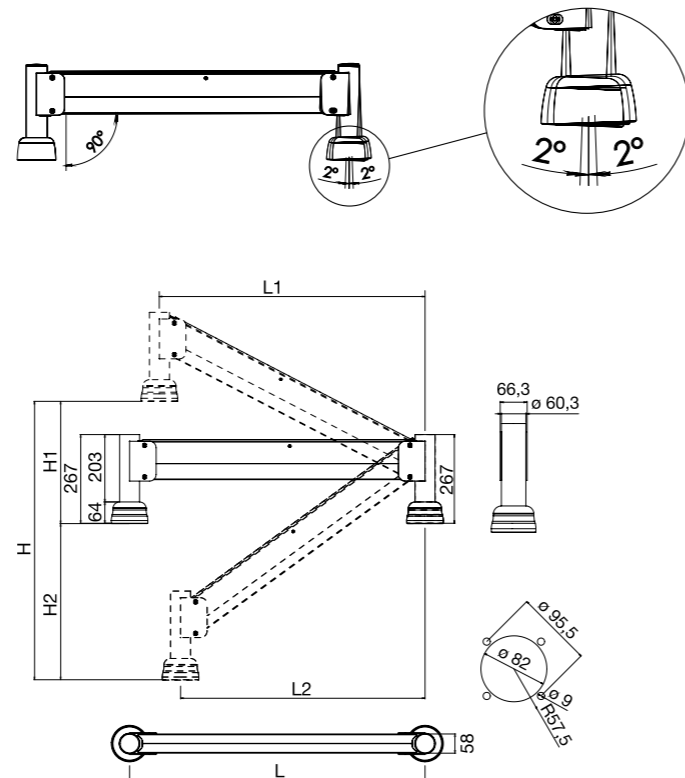
SUPPORT ARMS, BRACKETS AND JOINTS

ARM TYPES

Support arms in AISI 304 stainless steel (Wnr 1.4301) Ø 48,3mm and 60,3mm / 110mm in various sizes adaptable to any requirement, to be fixed to our enclosures/cabinets. Suitable for moving the control panel closer to the operator. They can be completed with stainless steel fixed or swivel joints.



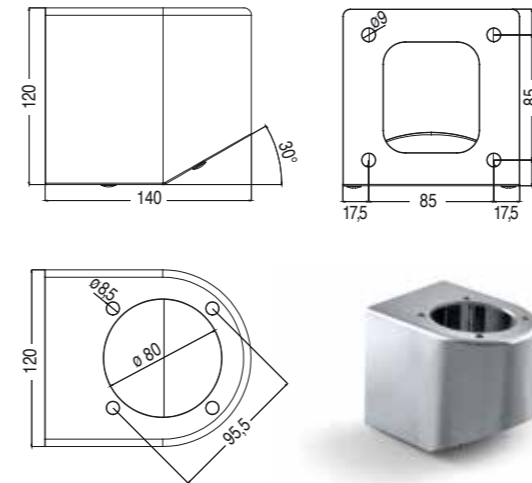
Among the IRINOX range of arms, there is also the MO.VI. swivel arm.



Please specify the accessories you require when placing an order/enquiry.

STAINLESS STEEL SUPPORT ARM FITTING

AISI 304 stainless steel (Wnr 1.4301) fitting for mounting the support arm to the wall.

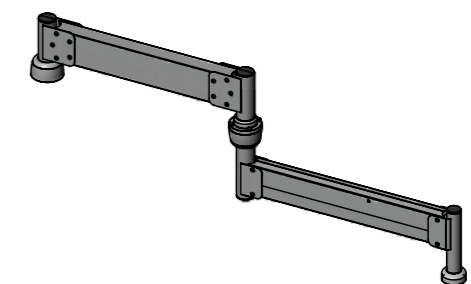
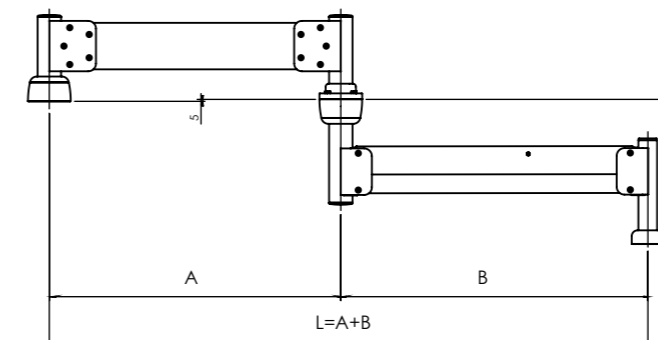


Model	Code	Ø support arm / Ø joint
SBV 110 special accessory to specify when placing an order*	013710076	60 mm - 2.36" / 110 mm - 4.33"

* Installation requires machining/customization.

ARM EXTENSIONS

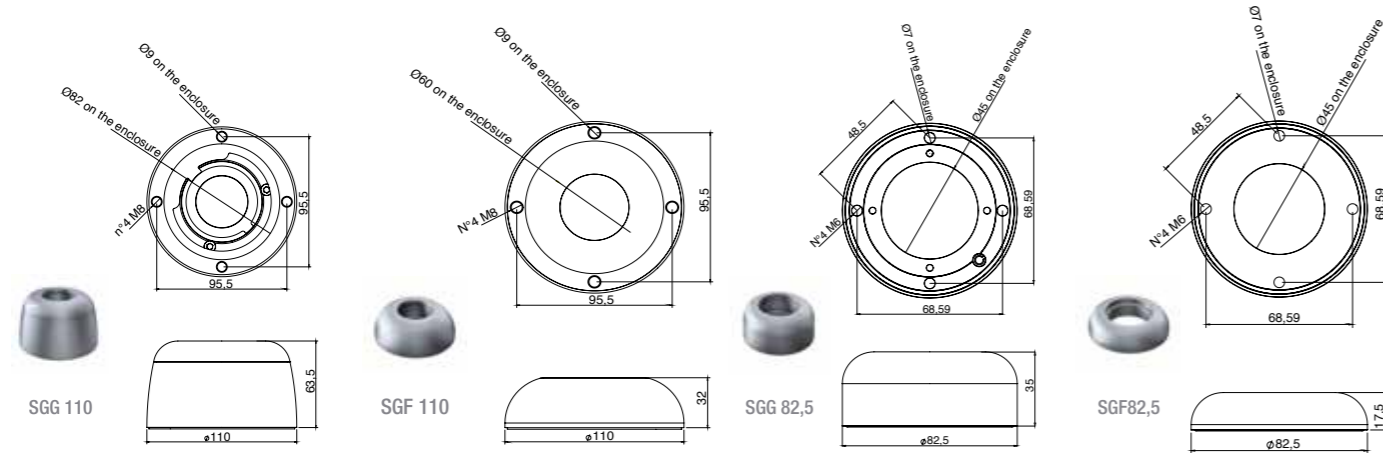
Special arms with extensions. Custom dimensions to check when placing order/enquiry.



Please specify the accessories you require when placing an order/enquiry.

JOINTS

Different types of fixed or swivel joints in AISI 304 stainless steel (Wnr 1.4301) are available for fixing the support arm to the swivel arm.



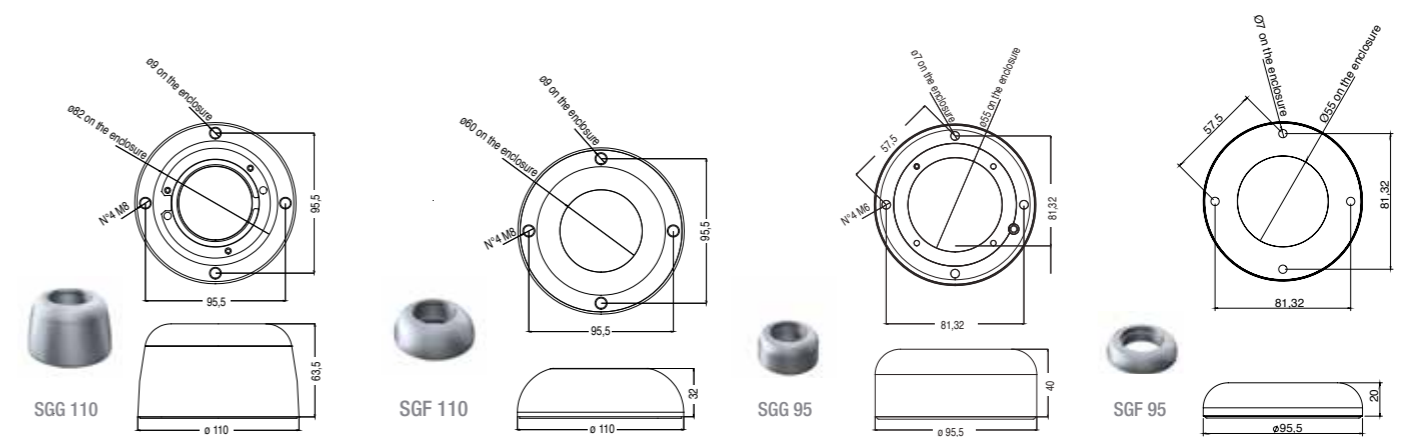
Model	Code	Description	External dimensions mm		Ø support arm
			Ø	H	
SGG 110 - Ø 48,3-1.90"	013710315	swivel joint***	110 mm-4.33"	63,5 mm-2.50"	48,3 mm-1.90"
SGF 110 - Ø 48,3-1.90"	013710325	fixed joint	110 mm-4.33"	32 mm-1.26"	48,3 mm-1.90"
SGG 82,5 - Ø 48,3-1.90"***	013710350	swivel joint***	82,5 mm-3.25"	35 mm-1.38"	48,3 mm-1.90"
SGF 82,5 - Ø 48,3-1.90"***	013710360	fixed joint	82,5 mm-3.25"	17,5 mm-0.69"	48,3 mm-1.90"

* Installation requires machining/customization.

** Models SGG 82,5 and SGF 82,5 can be fitted only to the side of the operator panel. Joint suitable for operator panels with load balanced in the center of the enclosure up to approx. 15 kg. Please check when placing an order/enquiry.

*** 350 degree swivel angle. Different swivel angles available on request.

Please specify the accessories you require when placing an order/enquiry.



Model	Code	Description	External dimensions mm		Ø support arm
			Ø	H	
SGG 110 - Ø 60,3-2.36"	013710310	swivel joint***	110 mm-4.33"	63,5 mm-2.50"	60,3 mm-2.36"
SGF 110 - Ø 60,3-2.36"	013710320	fixed joint	110 mm-4.33"	32 mm-1.26"	60,3 mm-2.36"
SGG 95 - Ø 60,3-2.36"***	013710330	swivel joint***	95 mm-3.74"	40 mm-1.57"	60,3 mm-2.36"
SGF 95 - Ø 60,3-2.36"***	013710340	fixed joint	95 mm-3.74"	20 mm-0.79"	60,3 mm-2.36"

* Installation requires machining/customization.

** Model SGG 95 and SGF 95 can be fitted only to the side of the operator panel. Joint suitable for operator panels with load balanced in the center of the enclosure up to approx. 25 kg. Please check when placing an order/enquiry.

*** 350 degree swivel angle. Different swivel angles available on request.

Please specify the accessories you require when placing an order/enquiry.

FOLDING SHELVES

Folding shelf in AISI 304 stainless steel (Wnr 1.4301), provides a spacious rest surface for laptops and PCs.

Code	Description	External dimensions W x H x D
ASPRI0600001	Folding shelf, for door W 600 mm (23.62")	425 x 400 x 20 16.73" x 15.75" x 0.79"
ASPRI0800001	Folding shelf, for door W 800 mm (31.50")	625 x 400 x 20 24.61" x 15.75" x 0.79"
ASPRI1000001	Folding shelf, for door W 1000 mm (39.37")	825 x 400 x 20 32.48" x 15.75" x 0.79"

Specify fixing position when placing an order/enquiry.

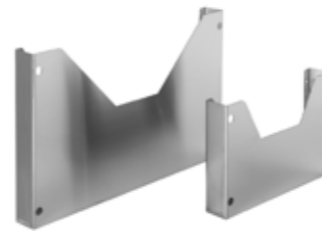


WIRING PLAN POCKET

Wiring plan pocket in AISI 304 stainless steel (Wnr 1.4301) or FeZn, ideal for storing wiring diagrams and other documents inside the electrical enclosure.

Code	Description	External dimensions W x H x D
Q4SV00023500003	Wiring plan pocket in AISI 304 stainless steel (Wnr 1.4301)	300 x 200 x 45 11.81" x 7.87" x 1.77"
Q4SV00023500017	Wiring plan pocket in AISI 304 stainless steel (Wnr 1.4301) (from W 800 mm/ 31.50")	500 x 300 x 55 19.69" x 11.81" x 2.17"
Q4SV00023500010	Wiring plan pocket in FeZn, for 600 mm (23.62") door	426 x 300 x 55 16.77" x 11.81" x 2.17"
Q4SV00023500005	Wiring plan pocket in FeZn, for 800 mm (31.50") door	626 x 300 x 55 24.65" x 11.81" x 2.17"
Q4SV00023500164	Wiring plan pocket in FeZn, for 1000 mm (39.37") door	826 x 300 x 55 32.52" x 11.81" x 2.17"

Specify fixing position when placing an order.



PRE-DRILLED DOOR SUPPORT RAIL

Pre-drilled support rail in AISI 304 stainless steel (Wnr 1.4301) suitable for 600/800/1000 mm (23.62"/31.50"/39.37") wide door frames.

Code	Description
ASUPA0600001	Pre-drilled support rail for 600 mm (23.62") wide doors
ASUPA0800001	Pre-drilled support rail for 800 mm (31.50") wide doors
ASUPA1000001	Pre-drilled support rail for 1000 mm (39.37") wide doors



Please specify the accessories you require when placing an order/enquiry.

BRACKETS

NEON LIGHT AND MICRO SWITCH MOUNTING BRACKET

AISI 304 stainless steel (Wnr 1.4301) mounting bracket for neon lights and micro switches.

Code	Description	Base model AS	Cabinet with lexan door AV	Cabinet with lexan door and internal door ASV	Wall mounted compact cabinet ASW
Q4SV00023500028	Neon light and micro switch mounting bracket for compact cabinet W= 600 mm (for neon light and micro switch see other accessories)	•	•		
Q4SV00023500029	Neon light and micro switch mounting bracket for compact cabinet W= 800 mm (for neon light and micro switch see other accessories)	•	•		
Q4SV00023500030	Neon light and micro switch mounting bracket for compact cabinet W= 1000 mm (for neon light and micro switch see other accessories)	•	•		
Q4SV00023500031	Neon light and micro switch mounting bracket for compact cabinet W= 1200 mm (for neon light and micro switch see other accessories)	•	•		

MOUNTING BRACKET FOR VOLTAGE PRESENCE INDICATOR

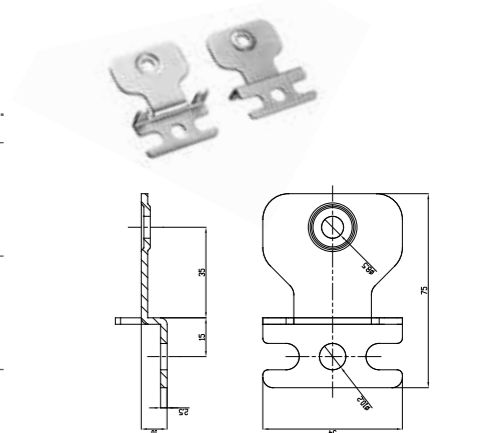
Mounting bracket in AISI 304 stainless steel (Wnr 1.4301) for voltage presence indicator.

Code	Description	Base model AS	Cabinet with lexan door AV	Cabinet with lexan door and internal door ASV	Wall mounted compact cabinet ASW
Q4SV00023500222	Mounting bracket in AISI 304 stainless steel (Wnr 1.4301) for flashing voltage presence indicator suitable for framed doors (see "Other Accessories" for voltage presence indicators)	•	•		
Q4SV00023500023	Mounting bracket in AISI 304 stainless steel (Wnr 1.4301) for flashing voltage presence indicator suitable for doors without frame (see "Other Accessories" for voltage presence indicators)	•	•		

WALL BRACKETS

Stainless steel brackets H=10 mm (0.39") for fixing the enclosure to the wall, to be screwed onto the bushings on the back of the enclosure. Complete with fixing screws.

Code	Description	AS	AV	ASV	ASW
Q4SV00023500001	Set of 4 brackets in AISI 304 stainless steel (Wnr 1.4301)				•
Q4SV00023500004	Set of 4 brackets in AISI 316 stainless steel (Wnr 1.4404)				•



Please specify the accessories you require when placing an order/enquiry.

OTHER ACCESSORIES

FLUORESCENT LIGHT

Fluorescent light with ON / OFF switch. Complete with AC 250 / 16A+T power socket. Can be screwed directly to the frame or to a 35 mm DIN rail (1.38"). To be used exclusively with the corresponding support profile. Certified to IMQ, CE, UL, CSA standards. Dimensions W 345 x H 91 x D 40 mm (13.58" x 3.58" x 1.57") (W x H x D).



Code	Description	Supply voltage			Socket type	Base model AS	Cabinet with lexan door AV	Cabinet with lexan door and internal door ASV	Wall mounted compact cabinet ASW
		V	W	Hz					
013702410	Fluorescent light with ON / OFF switch. Dimensions 345 x 91 x 40 mm / (13.58" x 3.58" x 1.57") (W x H x D)	230	11	50	D-E-I	•	•		
013702420	Fluorescent light with ON / OFF switch. Dimensions 345 x 91 x 40 mm / (13.58" x 3.58" x 1.57") (W x H x D)	230	11	50	F	•	•		
013702430	Fluorescent light with ON / OFF switch. Dimensions 345 x 91 x 40 mm / (13.58" x 3.58" x 1.57") (W x H x D)	230	11	50	CH	•	•		
013702440	Fluorescent light with ON / OFF switch. Dimensions 345 x 91 x 40 mm / (13.58" x 3.58" x 1.57") (W x H x D)	230	11	50	UK	•	•		
013702450	Fluorescent light with ON / OFF switch. Dimensions 345 x 91 x 40 mm / (13.58" x 3.58" x 1.57") (W x H x D)	115	13	60	USA-CDN	•	•		
013702405	Fluorescent light with ON / OFF switch. Dimensions 345 x 91 x 40 mm / (13.58" x 3.58" x 1.57") (W x H x D)	DC 24-48	11			•	•		

A stainless steel support bracket is required for fixing the light to the cabinet (see our accessory range / brackets).

MICRO SWITCH

Resettable micro switch. 10A - 1NC +1NA, with reset button. Certified to IEC EN 947.5.4, IMQ, CE, UL and CSA standards.



Code	Description	Base model AS	Cabinet with lexan door AV	Cabinet with lexan door and internal door ASV	Wall mounted compact cabinet ASW
013702460	Resettable micro switch. 10A - 1NC +1NA, with reset button. Certified to IEC EN 947.5.4, IMQ, CE, UL and CSA standards.	•	•	•	

A stainless steel support bracket is required for fixing the micro switch to the enclosure (see our accessory range / brackets).

Please specify the accessories you require when placing an order/enquiry.

VOLTAGE PRESENCE INDICATOR

Flashing three-phase voltage presence indicator. 110÷690V voltage. Must be screwed to the cabinet by means of the specific mounting bracket (see our accessory range / brackets). Certified to IEC EN 947.5.4, IMQ, CE, UL and CSA standards.

Code	Description	Base model AS	Cabinet with lexan door AV	Cabinet with lexan door and internal door ASV	Wall mounted compact cabinet ASW
013702470	Flashing three-phase voltage presence indicator. 110÷690V voltage.	•	•	•	



DOOR STAY SET

Door stay system.

Code	Description	Base model AS	Cabinet with lexan door AV	Cabinet with lexan door and internal door ASV	Wall mounted compact cabinet ASW
Special accessory to specify when placing an order/enquiry	Door stay in AISI 304 stainless steel (Wnr 1.4301)	•	•	•	•
Special accessory to specify when placing an order/enquiry	Door stay in AISI 316L stainless steel (Wnr 1.4404)	•	•	•	•



Please specify the accessories you require when placing an order/enquiry.

GAS STRUTS FOR DOOR OPENING

Gas struts for keeping the cabinet door open and preventing its accidental closure. Indicate load bearing capacity when placing an order.



Code	Description	Base model AS	Cabinet with lexan door AV	Cabinet with lexan door and internal door ASV	Wall mounted compact cabinet ASW
013704012	Set of 2 gas struts. Dimensions W= 257mm (10.12") Ø 19 mm (0.75") / Force 100 N.	•			•
013704014	Set of 2 gas struts. Dimensions W= 257mm (10.12") Ø 19 mm (0.75") / Force 300 N.	•			•
013704022	Set of 2 gas struts. Dimensions W= 497mm (10.12") Ø 19 mm (0.75") / Force 150 N.	•			•
013704024	Set of 2 gas struts. Dimensions W= 497mm (10.12") Ø 19 mm (0.75") / Force 250 N.	•			•
013704026	Set of 2 gas struts. Dimensions W= 497mm (10.12") Ø 19 mm (0.75") / Force 300 N.	•			•
013704032	Set of 2 gas struts. Dimensions W= 683mm (10.12") Ø 22 mm (0.75") / Force 300 N.	•			•
013704034	Set of 2 gas struts. Dimensions W= 683mm Ø 22 mm (0.75") / Force 500 N.	•			•
013704036	Set of 2 gas struts. Dimensions W= 683mm Ø 22 mm (0.75") / Force 700 N.	•			•

The cabinet is supplied with gas struts.

CONTROL CONSOLE

Console with 15° sloped top in AISI 304 stainless steel (Wnr 1.4301), complete with hinges and gas struts. Rear opening makes it suitable for fixing directly to the cabinet structure.



Code	Description	Base model AS	Cabinet with lexan door AV	Cabinet with lexan door and internal door ASV	Wall mounted compact cabinet ASW
Q4QM00023500032	MODEL QML 623	•			•
Q4QM00023500033	MODEL QML 823	•			•
Q4QM00023500022	MODEL QML 1023	•			•

Please specify the accessories you require when placing an order/enquiry.

LOCKS

Flush swing handle with 3 mm (0.12") double bit lock and internal rods system fitted as standard. For other types of handles, locking systems and keys please refer to the tables below:

Code	Description
013706541	Chromed Zamak lock with EK 333 insert (A)
013706511	Chromed Zamak lock with 8mm (0.31") insert (B)
013706531	Chromed Zamak lock with insert (C)
013706501	Chromed Zamak lock with 3mm (0.11") insert (D)
013706521	Chromed Zamak lock with 8mm (0.31") insert (E)
	FeZn cam H=mm*



*When ordering please specify cam height: 18 - 22 - 24 - 29 - 32 - 40 - 50 mm (0.71"-0.87"-0.94"-1.14"-1.26"-1.57"-1.97")

Code	Description
013706571	Lock in AISI 304 stainless steel (Wnr 1.4301) with 8mm (0.31") insert (E)
013706561	Lock in AISI 304 stainless steel (Wnr 1.4301) with 8mm (0.31") insert (B)
013706551	Lock in AISI 304 stainless steel (Wnr 1.4301) with 5mm (0.20") insert (D)
013706556	Lock in AISI 316 stainless steel (Wnr 1.4404) with 5mm (0.20") insert (D)
013707200	Stainless steel burglar-proof protection.
	FeZn cam H=mm*



*When ordering please specify cam height: 18 - 22 - 24 - 29 - 32 - 40 - 50 mm (0.71"-0.87"-0.94"-1.14"-1.26"-1.57"-1.97")
Please specify the accessories you require when placing an order/enquiry.





Code	Description
013706801	Fastner wingknob latch with EK 333 insert (F)
013706821	Fastner wingknob latch with 313V2 A3132 insert (F)
013706831	Fastner wingknob latch with R405° insert (F)
013706871	34 X 59 mm (1.34"x2.32") fastner wingknob latch with EK 333 insert with escutcheon (G)
013706891	34 X 59 mm (1.34"x2.32") fastner wingknob latch with R455E insert with escutcheon (G)
013706791	Fastner wingknob latch without security insert (H)
013706861	34 X 59 mm (1.34"x2.32") fastner wingknob latch without security insert with escutcheon (I)















Please refer to the tables above for cams and locks, and the tables below for rod sets and keys.

Attention: locking systems with escutcheons need an internal rods system.

Please specify the accessories you require when placing an order/enquiry.

Code	Description	
013706910	Set of 10 keys for 8mm (0.31") insert (N)	
013706930	Set of 10 keys (specify insert type) (O)	
013706920	Set of 10 keys for 8mm (0.31") insert (M)	
013706900	Set of 10 keys for 5mm (0.20") insert (L)	

Code	Description	
013706760	34 x 59 mm (1.34"x2.32") locking handle with EK 333 insert with escutcheon (P)	
013706750	Locking handle with EK 333 insert (Q)	
013706740	Locking handle without security insert (R)	

Code	Description	
013706600	Concealed handle with 3 mm (0.12") insert (S)	
013706610	Concealed handle with 8 mm (0.31") insert	
013706620	Concealed handle with 8mm (0.31") insert	
013706630	Concealed handle with EK333 insert (T)	
013706640	Concealed handle with E3133 insert (T)	
013706650	Concealed handle with E313V2 A3132 insert (T)	
013706660	Concealed handle with R405E insert (T)	
013706670	Concealed handle with R455E insert (T)	
013706690	Concealed handle with G9233 insert (T)	
013706710	Set of keys (specify insert required)	
013706720	Locking system (specify cabinet type)	
013706730	Set of rods (specify cabinet type and dimensions)	
013706705	Concealed handle in AISI 316 stainless steel (Wnr 1.4404)*	

*When ordering please indicate the type of key required.



Code	Description
013707220	Set of 25 stainless steel TCEI screws M6 x 12 (X)
013707230	Set of 25 stainless steel TCEI screws M8 x 16 (X)
013707240	Set of 25 stainless steel TSEI screws M5 x 16 (W)
013707250	Set of 25 stainless steel TSEI screws M6 x 12 (W)
013707260	Set of 25 stainless steel TSEI screws M6 x 16 (W)
013707290	Set of 25 stainless steel poelier screws M4 x 16 (U)
013707300	Set of 25 stainless steel poelier screws M5 x 16 (U)
013707320	Set of 25 stainless steel poelier screws M6 x 20 (U)
013707330	Set of 25 stainless steel poelier screws M6 x 25 (U)
013707340	Set of 25 stainless steel TBEI screws M6 x 16 13.5 (V)
013707390	Set of 25 stainless steel TE screws M6 x 16 (Z)
013707395	Set of 25 stainless steel TE screws M6 x 20 (Z)
013707400	Set of 25 FeZn TE screws M8 x 16 (Z)
013707405	Set of 25 FeZn TE screws M6 x 16 (Z)



VENTILATION AND CLIMATE CONTROL

ANTI-CONDENSATION HEATERS

A complete range of heaters with wattage from 30 to 400 W, using natural or forced convection to eliminate condensation inside the electrical enclosure. The heaters consist of a finned profile in black anodized aluminium and a self-regulated PTC heating element. Can be mounted on DIN rails and connected to the terminal block. IP 54 to IP 20 protection rating according to the models. VDE, UL and CSA certification.



Code	Description	External dimensions W x H x D	Base model AS	Cabinet with lexan door AV	Cabinet with lexan door and internal door ASV	Wall mounted compact cabinet ASW
K0020035	Model: KRAHGK47 Voltage 110-250 V / Power 30 W Connection: CABLE	50 X 70 X 25 mm (1.97" x 2.76" x 0.98")	•	•	•	•
K0020070	Model: KRAHG140 Voltage 110-250 V / Power 60 W Connection: TERMINAL BLOCK	70 X 179 X 60 mm (1.97" x 7.05" x 2.36")	•	•	•	•
K0020080	Model: KRAHG140 Voltage 110-250 V / Power 100 W Connection: TERMINAL BLOCK	70 X 179 X 60 mm (1.97" x 7.05" x 2.36")	•	•	•	•
K0020090	Model: KRAHG140 Voltage 110-250 V / Power 150 W Connection: TERMINAL BLOCK	70 X 259 X 60 mm (1.97" x 10.20" x 2.36")	•	•	•	•
K0020100	Model: KRAHGL046 Voltage 230 V / Power 250 W Connection: TERMINAL BLOCK	80 X 178 X 80 mm (3.15" x 7.01" x 3.15")	•	•	•	•
K0020105	Model: KRAHGL046 Voltage 115 V / Power 250 W Connection: TERMINAL BLOCK	80 X 178 X 80 mm (3.15" x 7.01" x 3.15")	•	•	•	•
K0020110	Model: KRAHGL046 Voltage 230 V / Power 400 W Connection: TERMINAL BLOCK	80 X 252 X 80 mm (3.15" x 9.92" x 3.15")	•	•	•	•
K0020115	Model: KRAHGL046 Voltage 115 V / Power 400 W Connection: TERMINAL BLOCK	80 X 252 X 80 mm (3.15" x 9.92" x 3.15")	•	•	•	•



VENTILATION

A wide range of electrical enclosure ventilation systems. For characteristics and technical data please refer to the KFF FAN SYSTEM brochure.

Please specify the accessories you require when placing an order/enquiry.

THERMOSTATS

A complete range of thermostats for the temperature regulation and control of alarm signals, to be combined with ventilation systems IP 54 and IP55 and with anti-condensation heaters. Ready to be fixed on DIN rail. Protection rating IP20 with VDE, UL, CSA certification.

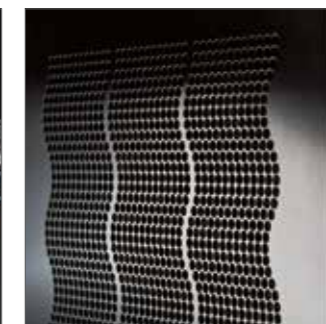


KTR A/C

KTR C

KTR A/C II

Code	Description	External dimensions W x H x D	Base model AS	Cabinet with lexan door AV	Cabinet with lexan door and internal door ASV	Wall mounted compact cabinet ASW
K0030010	KTR C 0 - + 60 RED SCREW Normally closed contact, for heaters.	33 x 35 x 60 mm (1.30" x 1.38" x 2.36")	•	•	•	•
K0030020	KTR A 0 - + 60 BLUE SCREW Normally open contact, for ventilation or alarm signals.	33 x 35 x 60 mm (1.30" x 1.38" x 2.36")	•	•	•	•
K0030050	KTR A/C -I 0 - + 60 SCREWS: BLUE-RED Normally closed contact, for heaters Normally open contact, for ventilation or alarm signals.	50 x 46 x 67 mm (1.97" x 1.81" x 2.64")	•	•	•	•
K0030060	KTR A/C -I -10 + 50/+ 20 + 80 SCREWS: BLUE-RED Normally closed contact, for heaters. Normally open contact, for ventilation or alarm signals. Suitable for outdoor use.	50 x 46 x 67 mm (1.97" x 1.81" x 2.64")	•	•	•	•
K0030030	KTR A/C + 10 - +60 BLACK SCREW Electric thermostat with switch contact.	51 x 38 x 67 mm (2.01" x 1.50" x 2.64")	•	•	•	•



CLIMATE CONTROL

A wide range of climate control systems for electrical enclosures. For characteristics and technical data please refer to the CLIMATE CONTROL SYSTEM brochure.

Please specify the accessories you require when placing an order/enquiry.

IRINOX

Inside your needs

IRINOX SPA

Head office

Via Madonna di Loreto, 6/B

31020 Corbanese di Tarzo (TV) - Italy

Tel: +39 0438 5844 - Fax: +39 0438 5843

Business offices and manufacturing facilities


Via Caduti nei Lager, 1

Z.I. Prealpi Trevigiane loc. Scomigo

31015 Conegliano (TV) Italy

Tel: +39 0438 2020 - Fax: +39 0438 2023

irinoxquadri.com

 [Irinox Spa](#)

Irinox reserves the right to further developments and technical modifications of its products. Such modifications, along with errors and printing errata, shall not constitute grounds for compensation. We refer customers to our Terms of Sale and delivery.

Cod. 448441 / 2018-1 ALL RIGHTS RESERVED