

## Totally Product Overview 2014



A company of the PCE-Group



Connection technology made in Germany  
safe – economically feasible - competent

**Retractable supply post  
with hatch cover**



## Retractable supply post with hatch cover

### Range of application

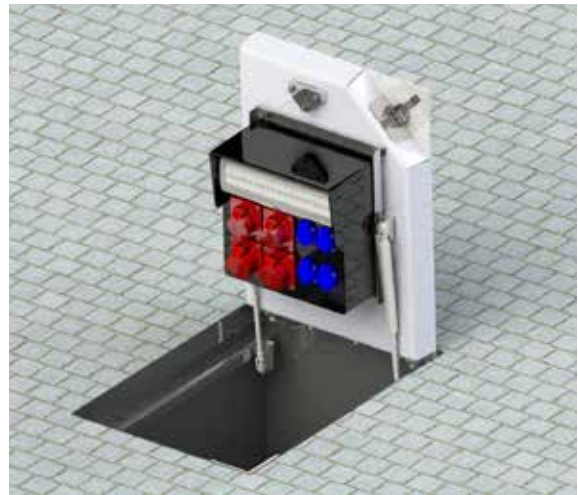
- Marketplaces
- Fairgrounds
- Historical places and historic buildings
- Industry halls
- Maintenance halls
- Bus stops
- Train stations
- Maintenance hangars on airports
- Aprons

As an optional solution, the retractable supply posts with hatch cover can be equipped with special equipment as follows:

- Fresh water with multiple outlets
- 2 cable outlets (SEK80)
- Diving bell
- Total current electric meter
- Illumination while opening
- Heating system



SEK-B-KA-80-40



SEK-KA-80-12,5

### Important components of the MOSER retractable supply posts with hatch cover

#### Solid rubber- wall box

- Can be equipped individually according to customer preference
- The insert and the wall box are connected with a line H07RN-F

#### Feed-in

- Supply-insertion with cable bushing KT4
- For line diameter 14-68cm
- The stainless steel casting for each variation is standard equipped with two cable bushing to loop through the connection cable
- The cover of the pit is not watertight, an adequate drainage has to be provided on site. Possibility of connection with a pipe DN100 to the sewer junction

#### Solid rubber insert

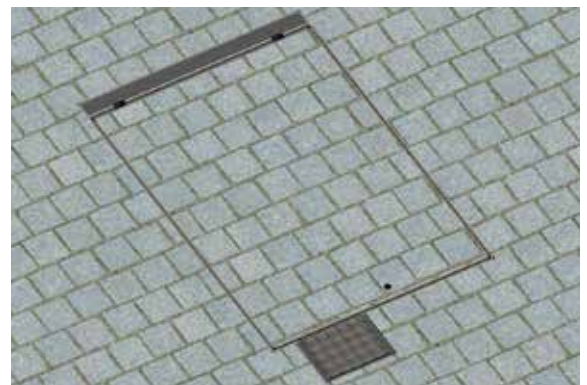
To fit the connection cable to the bushing clamps on site

#### Cable outlet

For reasons of safety, the retractable supply post can be closed while the sockets are plugged.

The special: retractable supply with hatch cover and cable outlet – SEK-B-KA-80-40

SEK-B-KA-80



**The Moser retractable supply post with hatch cover stands for:**

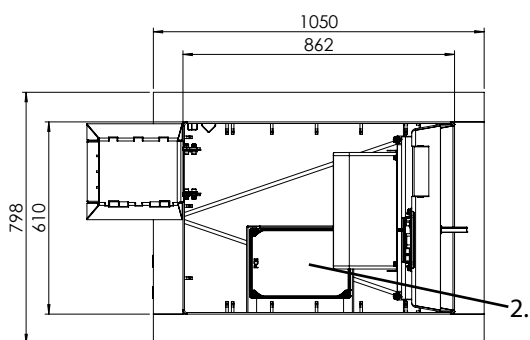
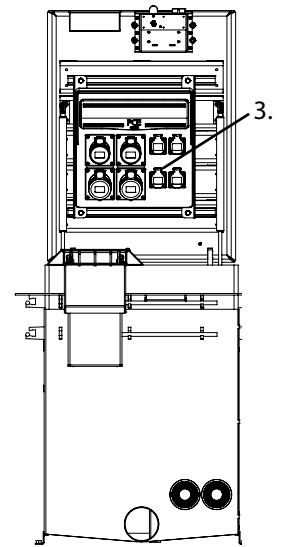
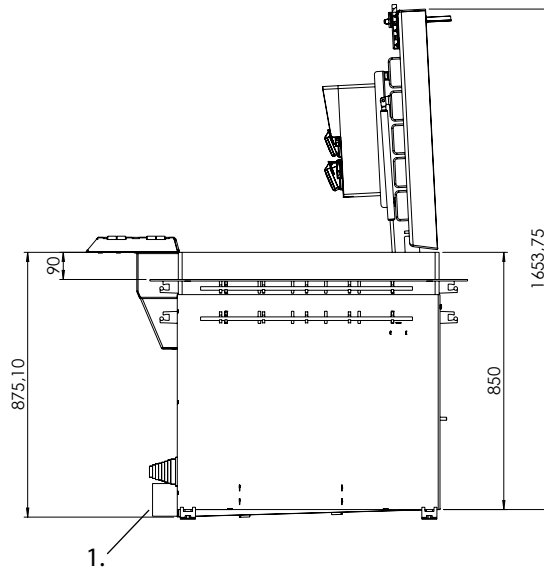
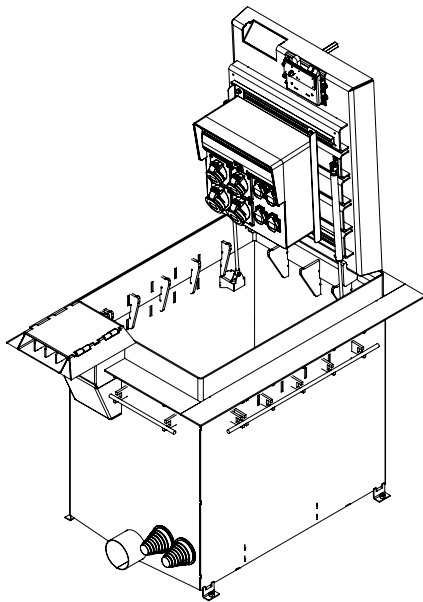
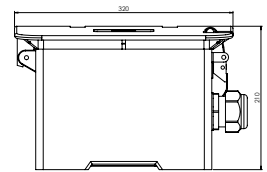
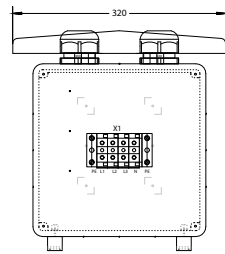
- Capacity of the cover up to 40t
- Cable outlet for the use while closed status ( Protection against forbidden access, protection of the cables)
- During operation the SEK-KA is walkable and drivable
- Through the special execution of the support bases in the cap bearing a heating system and a cleaning of these support before closing isn't necessary
- The novel locking system guarantees that the SEK is completely locked in a safe manner. An independent opening because of vibrations of passenger cars ,which drive across the cover, is prevented through an additional bolting.
- The bolting gives a visual feedback "locked"
- Individual and customer oriented equipment
- Several media can be equipped (electric, compressed air, data, water.....)
- Robust construction made out of stainless steel
- Long-life cycle
- Insertion of the supply cable with two KT4 cable sleeves
- Cable routing in two different directions possible

SEK 80 with cable outlet: scale drawing



**Insert**

2x M40 screwing rear  
 Insert wired on terminal blocks 5x50/35 m<sup>2</sup>



1. Diameter of Drainage 108 mm
2. Insert
3. Solid rubber wall box

## SEK80 with cable outlet: Possibilities of equipment

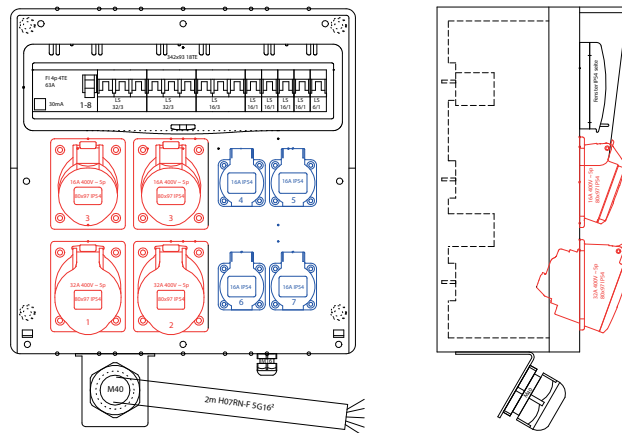
Solid rubber wall box

1 x M40 angled screw coupling below  
With 2 m cable H07RN-F 5G16 mm<sup>2</sup>  
1 x M16 screwing below

2 x CEE socket 32 A 5 P 400V  
2 x CEE socket 16 A 5 P 400V  
4 x earth protective socket 16 A 250V IP54  
2 x mcb 32 A 3 P C  
1 x mcb 16 A 3 P C  
4 x mcb 16 A 1 P C  
1 x mcb 6 A, 1 P B for external outlet  
1 x rcb 63 A/4/0.03 A

**Fuse protection 63 A on site**

**Order Number: M5048200013**



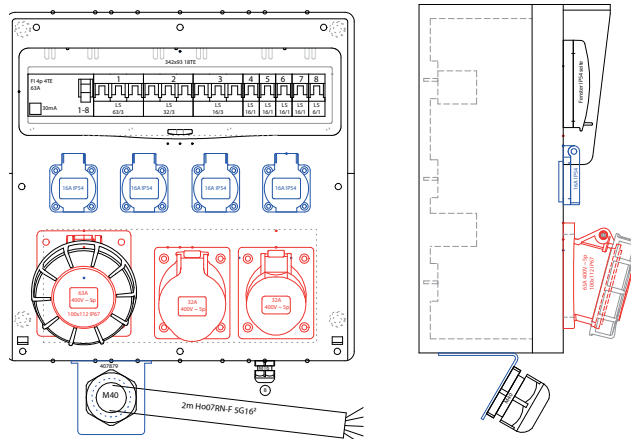
Solid rubber wall box

1 x M40 angled screw coupling below  
With 2 m cable H07RN-F 5G16 mm<sup>2</sup>  
1 x M16 screwing below

1 x CEE socket 63 A 5 P 400V IP67  
1 x CEE socket 16 A 5 P 400V  
1 x CEE socket 32 A 5 P 400V  
4 x earth protective socket 16 A 250V IP54  
1 x mcb 63 A 3 P C  
1 x mcb 16 A 3 P C  
1 x mcb 32 A 3 P C  
4 x mcb 16 A 1 P C  
1 x mcb 6 A, 1 P B for external outlet  
1 x rcb 63 A/4/0.03 A

**Fuse protection 63 A on site**

**Order Number : M5048200023**



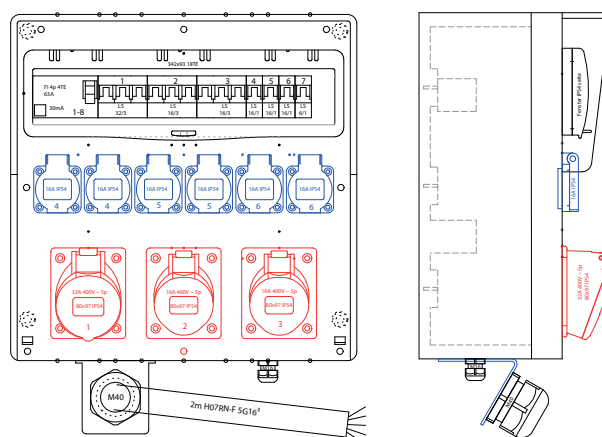
Solid rubber wall box

1 x M40 angled screw coupling below  
With 2 m cable H07RN-F 5G16 mm<sup>2</sup>  
1 x M16 screwing below

1 x CEE socket 32 A 5 P 400V  
2 x CEE socket 16 A 5 P 400V  
6 x earth protective socket 16 A 250V IP54  
1 x mcb 32 A 3 P C  
2 x mcb 16 A 3 P C  
3 x mcb 16 A 1 P C  
1 x mcb 6 A, 1 P B for external outlet  
1 x rcb 63 A/4/0.03 A

**Fuse protection 63 A on site**

**Order Number : M5048200033**

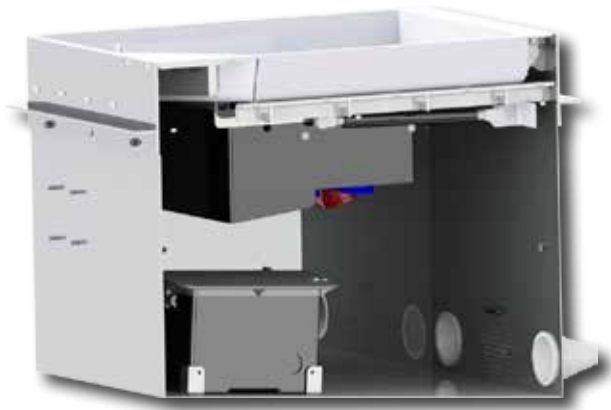


## Retractable supply post with hatch cover SEK60 and SEK80

Our gradual version of the retractable supply posts with hatch cover have a lower load resistance of the cover and no cable protection  
 The load resistance of the cover with filled cover is 12,5t  
 The load resistance of the cover with checkered plate is 1,5t .

The retractable supply post with hatch cover is offered in different sizes  
 (further sizes like SEK40 and SEK100 have to be requested)

Of course these retractable supply posts with hatch cover comply also with all the requirements for its use as flexible supply units on public open spaces or in halls.

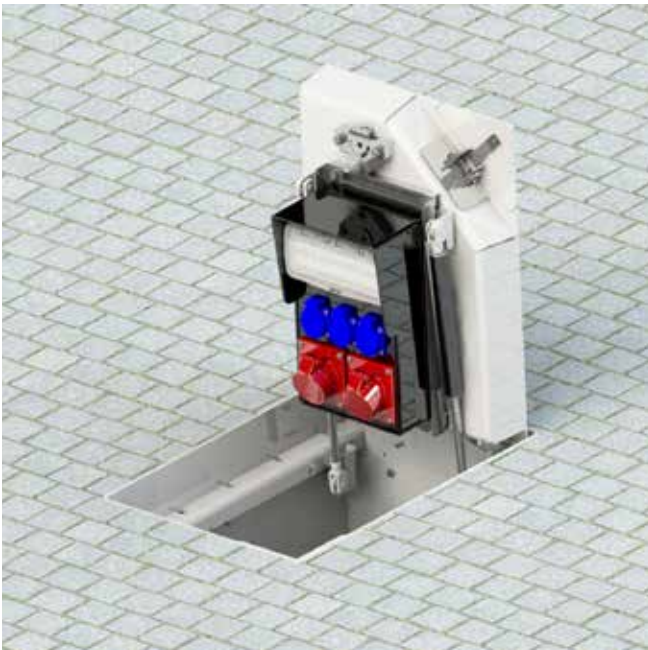


The MOSER retractable with hatch cover stands for:

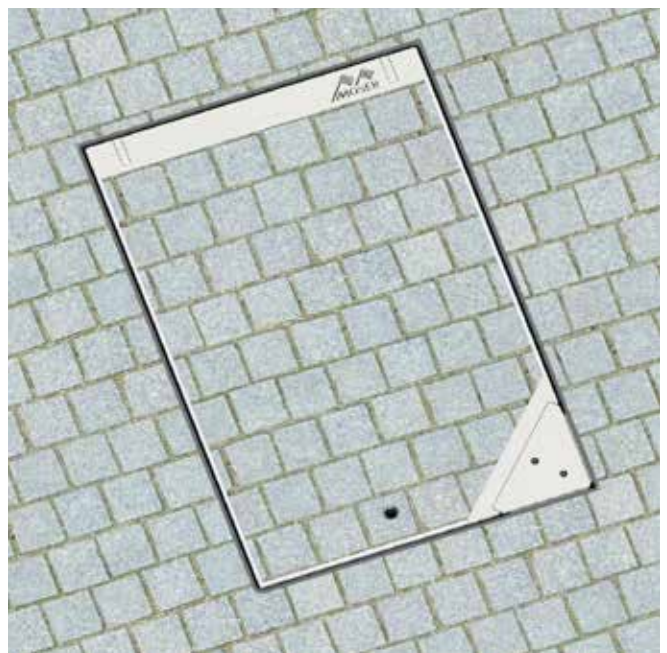
- The load resistance of the cover with filled cover is 12,5t
- The load resistance of the cover with checkered plate is 1,5t .
- Several media can be equipped (electric, compressed air, data, water.....)
- Robust construction made out of stainless steel
- Stainless steel lock which is service reduced with special square key wrench
- Long-life cycle
- Easy closing of the cover
- Insertion of the supply cable with two KT4 cable sleeves
- Cable routing in two different directions possible
- Cable outlet in the corner

Article description	Description	Capacity	
SEK-R-60-1,5	Hatch cover version checkered plate length 600 mm	1,5 tons	<b>on request</b>
SEK-B-60-12,5	Hatch cover version filled length 600 mm	12,5 tons	
SEK-R-80-1,5	Hatch cover version checkered plate length 800 mm	1,5 tons	<b>on request</b>
SEK-B-80-12,5	Hatch cover version filled length 800 mm	12,5 tons	
SEK-R-40-1,5	Hatch cover version checkered plate length 400 mm	1,5 tons	<b>on request</b>
SEK-B-40-12,5	Hatch cover version filled length 400 mm	12,5 tons	<b>on request</b>
SEK-R-100-1,5	Hatch cover version checkered plate length 1000 mm	1,5 tons	<b>on request</b>
SEK-B-100-12,5	Hatch cover version filled length 1000 mm	12,5 tons	<b>on request</b>

SEK60-12,5



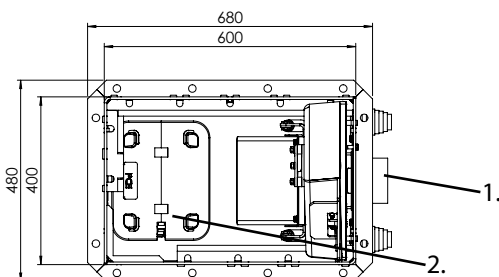
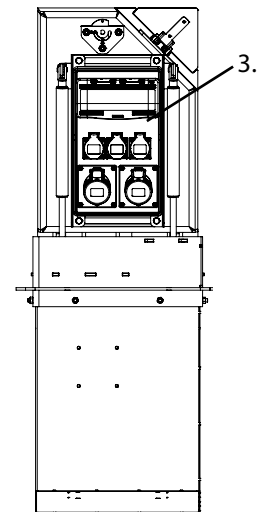
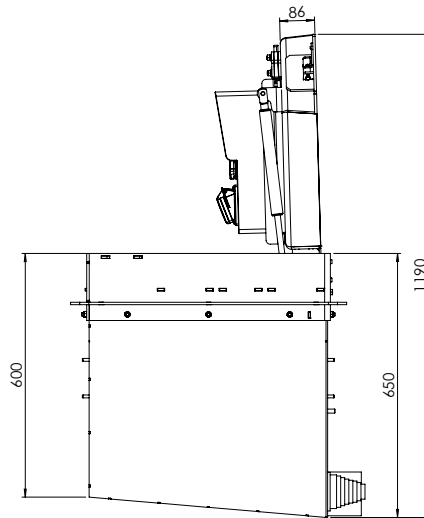
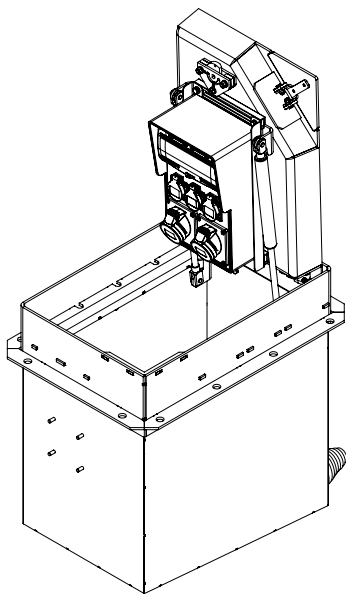
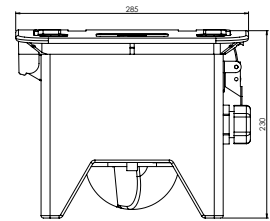
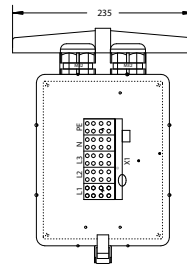
SEK80-12,5







**Insert**  
 Mobile solid rubber insert  
 2x M32 screwing rear  
 Insert with HKL-clamp



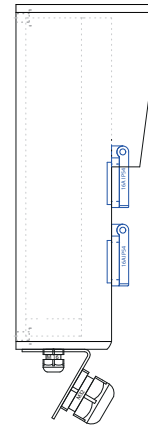
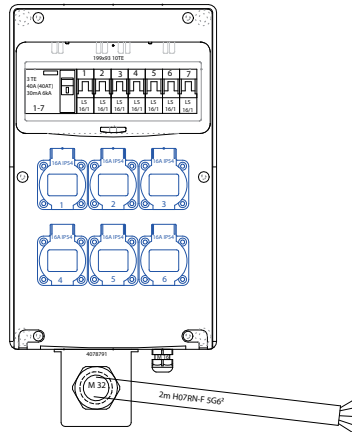
1. Diameter of Drainage 108 mm
2. Insert
3. Solid rubber wall box

Solid rubber wall box  
 1 x M32 angled screw coupling below  
 With 2 m cable H07RN-F 5G6 mm<sup>2</sup>  
 1 x M16 screwing below

6 x earth protective socket 16 A 250V IP54  
 6 x mcb 16 A 1P C  
 1 x mcb 6 A, 1P B for external outlet  
 1 x rcb 40 A/4/0.03 A

**Fuse protection 32 A on site**

**Order Number : M5046000013**

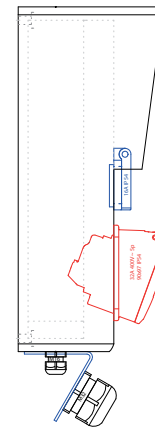
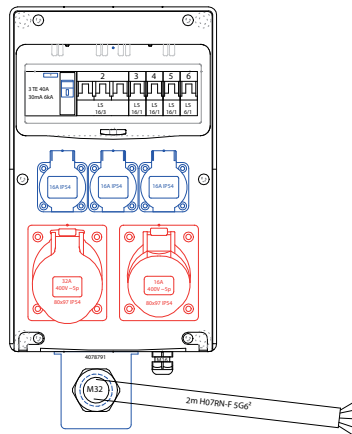


Solid rubber wall box  
 1 x M32 angled screw coupling below  
 With 2 m cable H07RN-F 5G6 mm<sup>2</sup>  
 1 x M16 screwing below

1 x CEE socket 32 A 5 P 400V  
 1 x CEE socket 16 A 5 P 400V  
 3 x earth protective socket 16 A 250V IP54  
 1 x mcb 63 A 3P C  
 3 x mcb 16 A 1P C  
 1 x mcb 6 A, 1P B for external outlet  
 1 x rcb 40 A/4/0.03 A

**Fuse protection 32 A on site**

**Order Number : M5046000023**

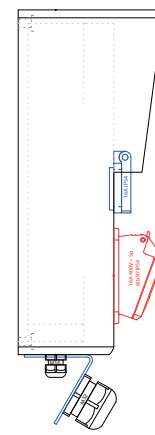
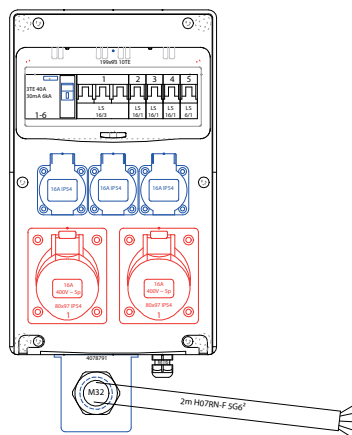


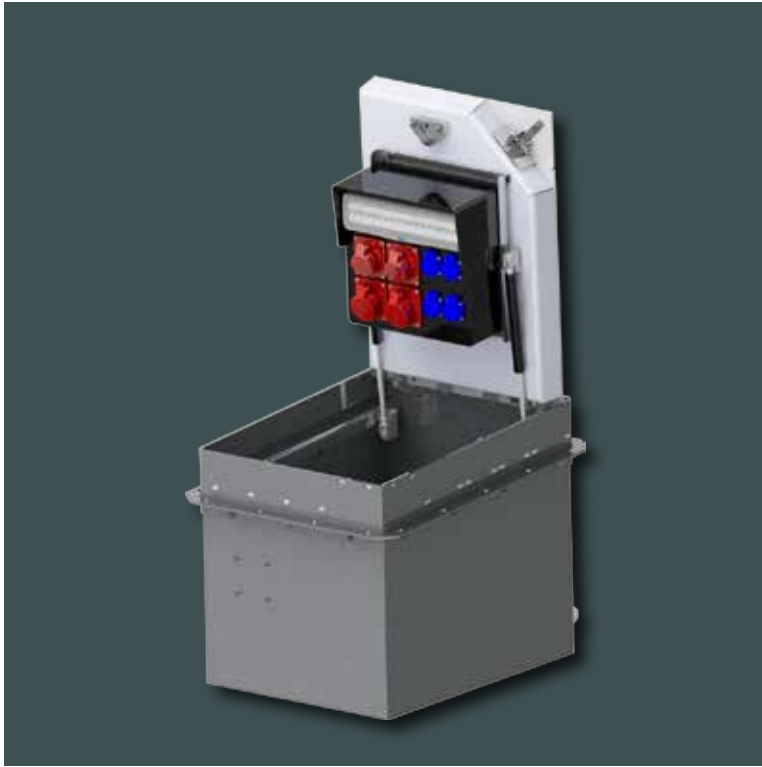
Solid rubber wall box  
 1 x M32 angled screw coupling below  
 With 2 m cable H07RN-F 5G6 mm<sup>2</sup>  
 1 x M16 screwing below

2 x CEE socket 16 A 5 P 400V  
 3 x earth protective socket 16 A 250V IP54  
 2 x mcb 16 A 3P C  
 3 x mcb 16 A 1P C  
 1 x mcb 6 A, 1P B for external outlet  
 1 x rcb 40 A/4/0.03 A

**Fuse protection 32 A on site**

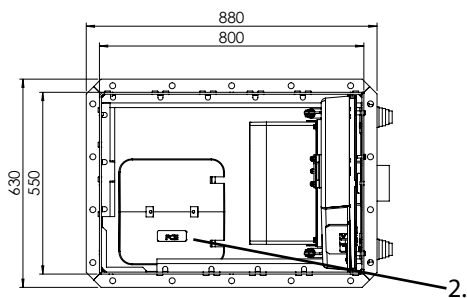
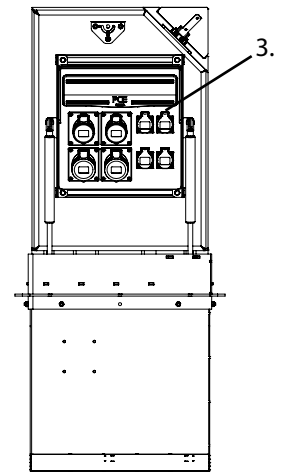
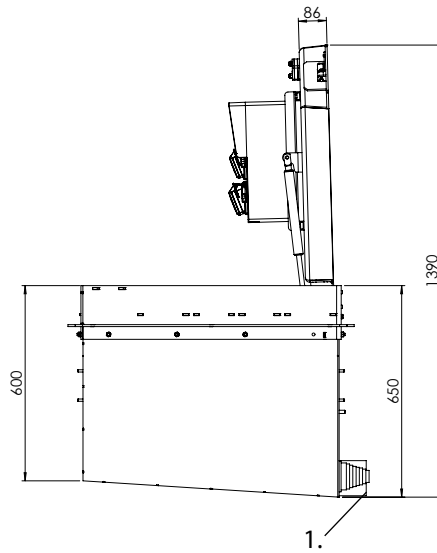
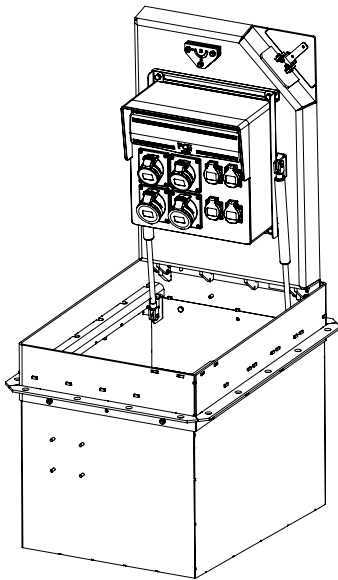
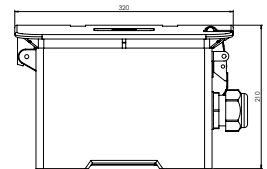
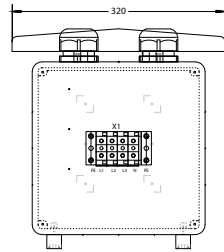
**Order Number : M5046000033**





**Insert**

2x M40 screwing rear  
 Insert wired on terminal blocks 5x50/35 m<sup>2</sup>



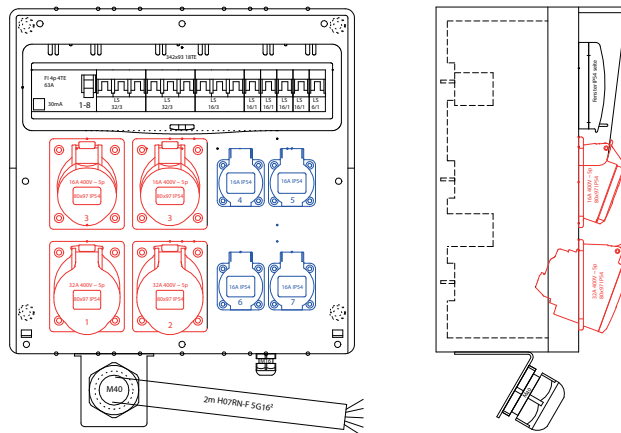
1. Diameter of Drainage 108 mm
2. Insert
3. Solid rubber wall box

Solid rubber wall box  
 1 x M40 angled screw coupling below  
 With 2 m cable H07RN-F 5G16 mm<sup>2</sup>  
 1 x M16 screwing below

2 x CEE socket 32 A 5 P 400V  
 2 x CEE socket 16 A 5 P 400V  
 4 x earth protective socket 16 A 250V IP54  
 2 x mcb 32 A 3 P C  
 1 x mcb 16 A, 1P, C  
 1 x mcb 6 A, 1P B for external outlet  
 1 x rcb 63 A/4/0.03 A

**Fuse protection 63 A on site**

**Order Number : M504800013**

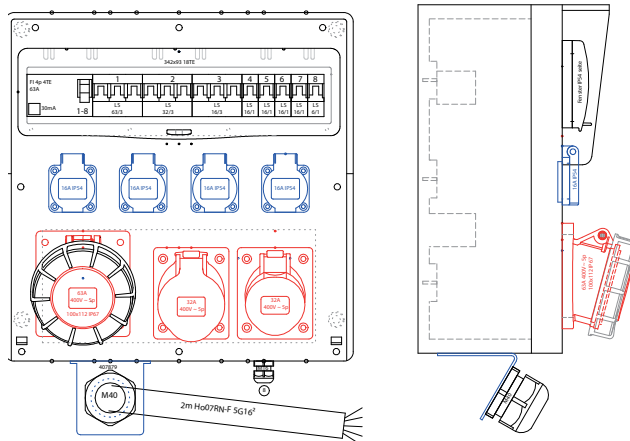


Solid rubber wall box  
 1 x M40 angled screw coupling below  
 With 2 m cable H07RN-F 5G16 mm<sup>2</sup>  
 1 x M16 screwing below

1 x CEE socket 63 A 5 P 400V IP67  
 1 x CEE socket 16 A 5 P 400V  
 1 x CEE socket 32 A 5 P 400V  
 4 x earth protective socket 16 A 250V IP54  
 1 x mcb 63 A 3 P C  
 1 x mcb 16 A 3 P C  
 1 x mcb 32 A 3 P C  
 4 x mcb 16 A 1P C  
 1 x mcb 6 A, 1P B for external outlet  
 1 x rcb 63 A/4/0.03 A

**Fuse protection 63 A on site**

**Order Number : M504800023**

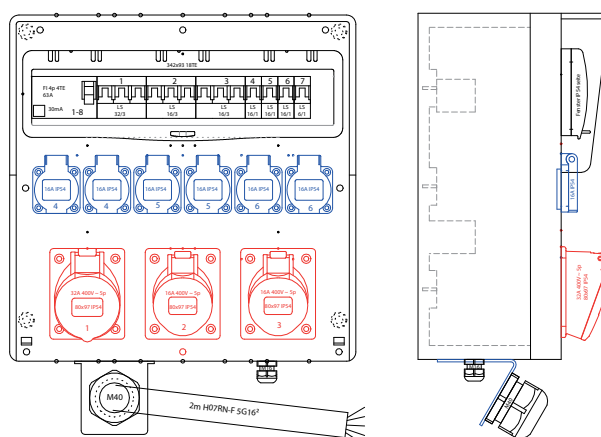


Solid rubber wall box  
 1 x M40 angled screw coupling below  
 With 2 m cable H07RN-F 5G16 mm<sup>2</sup>  
 1 x M16 screwing below

1 x CEE socket 32 A 5 P 400V  
 2 x CEE socket 16 A 5 P 400V  
 6 x earth protective socket 16 A 250V IP54  
 1 x mcb 32 A 3 P C  
 2 x mcb 16 A 3 P C  
 3 x mcb 16 A, 1P C  
 1 x mcb 6 A, 1P B for external outlet  
 1 x rcb 63 A/4/0.03 A

**Fuse protection 63 A on site**

**Order Number : M504800033**



The product family TerraMo of the underground systems convinces with its multiplicity of positive features. Public areas keep their flexible usability if those units will be built in inner areas like shopping malls, offices, conference centers or exhibition halls.

Due to the integrated climate control the units can also be used every season in outdoor areas like parkways, on market places or on terraces.