



Connection Solutions
4Workplaces

simon
connect

**general
catalogue**
2011 - 2012



K45 TELEBLOCK

The Simon K45 TELEBLOCK provides a solution for any connection, adapting to any type of furnishings.



WiFi area



Offices



Hotels



Auditoriums



Meeting rooms



DIRECT SNAP-FIT

With all necessary materials

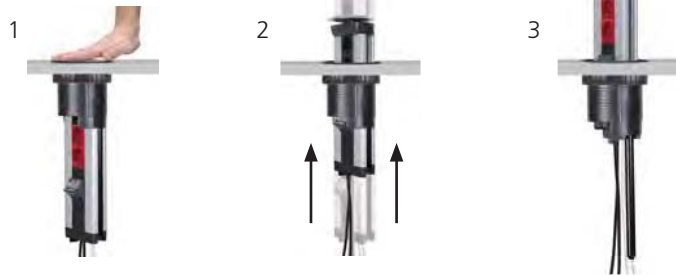
The K45 Teleblock section is supplied with one blind cover, two half-mechanism blind plates, metal divider plate, insertion ring (with push-pull or gas cylinder), screw thread for fitting and all necessary hardware for installation.

(The cover and the trim frame are supplied separately.)



Mechanisms, electrical sockets and plates from page 72

Automatic elevation



Maximum integration



Open

When connected and folded it integrates perfectly into the furniture, hiding the connections. It acts as trunking when closed.



Closed

Entry plates for lower access



< Plates with connector

Quick connection.
Connectors and Patch cords on page 138

K19/14
< Tube inlet

K19/14
< Gland

TC250/0
Cable > organiser

K121A/14
K121B/14
< Quick Connection

K18/14
< Quick Connection

K305A/14
< Quick Connection

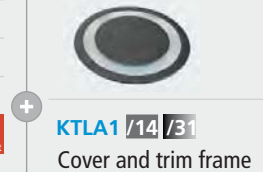
K20/14
< Cable inlet

| | | | |
|--------------------|-----------|------------------------|---------------------------|
| Matt chrome-plated | Aluminium | Pure white Ral 9010 | Graphite grey Ral 7021 |
| /31 | /8 | /9 | /14 |

K45 TELEBLOCK FOR CONFIGURATION



| | |
|----------------|--|
| KTL202 | For 2 K45 usable mechanisms with manual elevation |
| KTL203 | For 3 K45 usable mechanisms with manual elevation |
| KTL204 | For 4 K45 usable mechanisms with manual elevation |
| KTLE205 | For 5 K45 usable mechanisms with automatic elevation |
| KTL205 | For 5 K45 usable mechanisms with manual elevation |
| KTL206 | For 6 K45 usable mechanisms with manual elevation |



K45 TELEBLOCK WIRED AND ASSEMBLED



| | | |
|----------------------------|---|--|
| KTLE216U | Includes 2 graphite-grey Schukos, 2 red Schukos and 2 RJ45 Cat. 6 UTP. Automatic elevation.* | |
| KTLE215U | Includes 2 graphite-grey Schukos, 2 red Schukos and 2 RJ45 Cat. 5e UTP. Automatic elevation.* | |
| KTL215U | Includes 2 graphite-grey Schukos, 2 red Schukos and 2 RJ45 Cat. 5e UTP. Manual elevation.* | |
| KTL216U | Includes 2 graphite-grey Schukos, 2 red Schukos and 2 RJ45 Cat. 6 UTP. Manual elevation.* | |
| KTL212-PACK CUISINE | Includes 2 graphite-grey Schukos and 1 electric patch cord 3x2.5 mm with Schuko plug. Manual elevation. | |



* With 2 electrical patch cords of 3x2.5 mm², 2 m, Schuko plug and 2 voice and data 2 m.

Installation accessories

Electric connection patch cords. See page 141
Patch cords V&D. See page 132



K66
90° positioner for K45 plates on columns or vertical sections.
See page 80



TS10 /8 /14
Cable outlet with Ø 102 mm for desk or raised floor

Spare parts for K45 TELEBLOCK Automatic elevation



KTLA2
Gas cylinder for automatic elevation

Installation tools



H114
Cutting crown with 114 mm diameter



H114U
Spindle for H114 hole saw

Spare parts for K45 TELEBLOCK



KTLA3
Push-Pull module for manual elevation



KTLA4
Table attachment mount for manual elevation



KTLA5
Upper lock



KTLA6
Lower lock

Configuration example



| | Quantity | Ref./Finish | Description |
|-------------------------------|----------|------------------|--|
| Covering | 1 | KTLE205 | K45 Teleblock for 5 usable K45 mechanisms, automatic elevation |
| | 1 | KTLA1/14 | Cover and trim frame, graphite |
| Electrical sockets and plates | 2 | K11/8 | K45 electrical socket, Schuko, quick terminal connection, aluminium |
| | 1 | K100B/8 | K45 plate 1 mechanism with 1 VGA female connector, aluminium. Screw connection |
| | 1 | K66 | 90° positioner for K45 VDM plates |
| | 1 | KB8096U/8 | Angled K45 plate with dust protector and 2 RJ45 Cat. 6 UTP, aluminium |
| | 1 | K20/8 | K45 cable input plate with retainer included, aluminium |
| | 1 | TC250/0 | Cable organiser Ø 25 mm and 2 m length |

Technical details
See page 162

Technical information

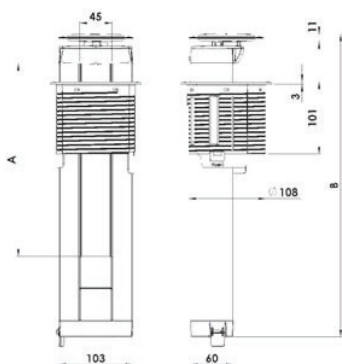
Plastic parts manufactured using thermoplastic, self-extinguishing, halogen-free materials, which prevent flames from spreading during a fire and guarantee low toxicity in the event that any smoke is released.



K45 TELEBLOCK

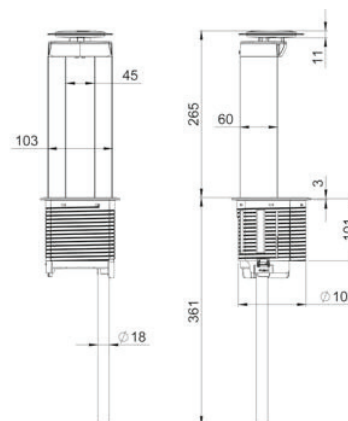
- Product designed according to the Safety Requirements of Directive 2006/95/EC (Low Voltage) through standard UNE-EN-60.670.
- CE marked product.
- IP protection level: 4x.
- The recommended temperature range during installation is: -5°C to + 60°C.
- The maximum temperature during construction work is + 60°C.
- Manufactured in Anodised Aluminium.

K45 TELEBLOCK manual elevation



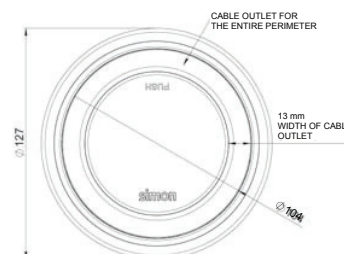
K45 TELEBLOCK automatic elevation

Ref. [KTLE205](#)



| References | No. of modules K45 | Dimensions | | Space measurement |
|------------------------|--------------------|------------|-----|-------------------|
| | | A | B | |
| KTL202 | 2 | 89 | 242 | Ø 114 |
| KTL203 | 3 | 135 | 287 | Ø 114 |
| KTL204 | 4 | 180 | 332 | Ø 114 |
| KTL205 | 5 | 225 | 377 | Ø 114 |
| KTL206 | 6 | 269 | 422 | Ø 114 |

Ref. [KTLA1/..](#)



Spare parts

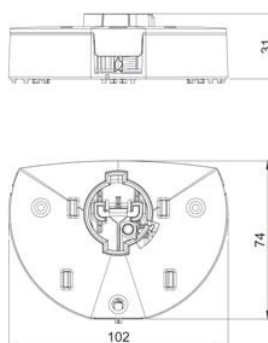
Ref. [KTLA2](#)

Gas cylinder for automatic TELEBLOCK elevation

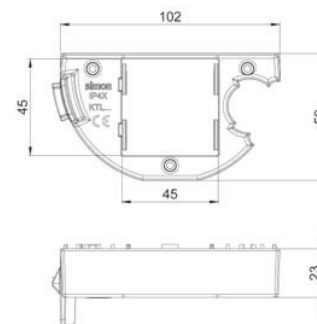


Technical data of gas cylinder:
Ø 18 – 8 mm
Piston stroke: 271 mm
Locking force: 50 N
Temperature range: -30° C – 80° C

Ref. [KTLA5](#)



Ref. [KTLA6](#)



Measurements in mm